

# Technical Bulletin

Bulletin No.: PRO-01-38

Effective Date: 5/1/92

Cancels: N/A

Page: 1 of 1

## Subject: Tu-Flo 501 Three Ring Piston and Pin Kit Obsolescence

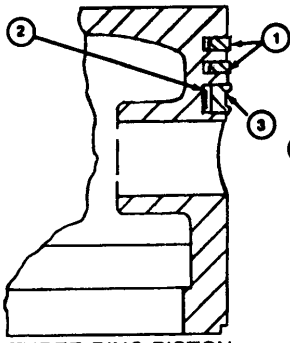
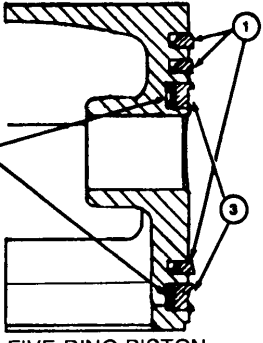
Effective immediately the Tu-Flo 501 three ring piston and pin kit is being obsoleted and superseded by a five ring configuration for all service new and remanufactured compressors. Provided the additional rings are installed, the five ring piston is directly interchangeable with the three ring piston.

Below is a listing of the three ring piston and pin kits and ring sets and their appropriate five ring replacement. The new ring set is designed to service the new five ring pistons as well as the obsolete three ring pistons. When servicing the three ring piston refer to the instruction sheet provided in the kit to ensure the appropriate rings are discarded.

① Compression Ring

② Expander Ring

③ Oil Control Ring

**THREE-RING PISTON**

**FIVE-RING PISTON**

| <b>PISTON AND PIN KITS</b> |            | <b>RING SETS</b>           |            |
|----------------------------|------------|----------------------------|------------|
| <u>OBSOLETE</u>            | <u>NEW</u> | <u>OBSOLETE</u>            | <u>NEW</u> |
| 289113 (standard).....     | 106109     | 286183 (standard).....     | 106105     |
| 289114 (.01 oversize)..... | 106110     | 286184 (.01 oversize)..... | 106106     |
| 289115 (.02 oversize)..... | 106111     | 286185 (.02 oversize)..... | 106107     |
| 289116 (.03 oversize)..... | 106112     | 286186 (.03 oversize)..... | 106108     |

Please make a note of these changes on catalog page 01-E-2 for future reference.

