



Premium wheel-end brake products

Bendix® Brake Shoes and Hardware Kits

Part Number Reference Book





CAUTION! The items in this catalog are listed for use only in the applications and interchanges that appear in the catalog. Other use could result in property damage or serious personal injury. Always refer to the vehicle, trailer, or component manufacturer's service manual when performing vehicle maintenance.

NOTE: The data listed herein is correct to the best of our knowledge and belief, having been compiled from reliable and official sources of information. **However, we cannot assume any responsibility for possible errors.**

If any errors are found, or you have suggestions on ways to improve future catalogs, we want to hear from you. Please call us at the phone number shown on the back cover. Thank you for your assistance.



Brake Shoe Quick Reference4-6

Medium Duty Truck and Bus Reference Chart..... 7

Brake Linings for Standard Platforms.....8

Brake Linings for Extended Platforms9

Foundation Brake Quick Reference 10-12

Actuators Quick Reference..... 13-14

Slack Adjusters Quick Reference 15-18

Brake Shoe Applications 19-44

Brake Hardware Kit Quick Reference45-46

Hardware Kit General Features47

Brake Hardware Kits48-82

Supersession List83-88

Cross Reference89-94

Glossary of Terms95-99

Part Number Index100-102



BRAKE SHOE QUICK REFERENCE LISTED BY DRUM DIAMETER

BW7248

Brake Size	Unlined Shoe Number	Application
12 ¹ / ₄ X 4	4700	DEXTER
12 ¹ / ₄ X 5	4661C	DEXTER
12 ¹ / ₄ X 5	4661FCII	BENDIX (SPICER®) FCII
12 ¹ / ₄ X 5 ¹ / ₂	4536B	BENDIX (SPICER®) STD FORGE
12 ¹ / ₄ X 5 ¹ / ₂	4536E	BENDIX (SPICER®) U BRAKE
12 ¹ / ₄ X 5 ¹ / ₂	4536FCII	BENDIX (SPICER®) FCII
12 ¹ / ₄ X 5 ¹ / ₂	4536P	BENDIX (SPICER®) FT TIMKEN FABRICATED
12 ¹ / ₄ X 5 ¹ / ₂	4544	BENDIX (SPICER®) STD FORGE
12 ¹ / ₄ X 7 ¹ / ₂	4591	BENDIX (EATON) SHULER
12 ¹ / ₄ X 7 ¹ / ₂	4591S	BENDIX (SPICER®) STD. FORGE & AXLE
12 ¹ / ₄ X 7 ¹ / ₂	4607	BENDIX (SPICER®) STD FORGE
12 ¹ / ₄ X 7 ¹ / ₂	4670Q	ROCKWELL / MERITOR TRAILER AXL
12 ¹ / ₄ X 7 ¹ / ₂	4692	BENDIX (SPICER®) U BRAKE
12 ¹ / ₄ X 7 ¹ / ₂	4692FC	DEXTER PQ
12 ¹ / ₄ X 7 ¹ / ₂	4692FCII	BENDIX (SPICER®) FCII
12 ¹ / ₄ X 7 ¹ / ₂	4692P	BENDIX (SPICER®) FT TIMKEN FABRICATED
12 ¹ / ₄ X 8	4649	FRUEHAUF DAP
14 ¹ / ₂ X 10	4592A	ROCKWELL COACH
14 ¹ / ₂ X 4	4227G	ROCKWELL COACH
14 ¹ / ₂ X 5	4398B	ROCKWELL COACH
14 ¹ / ₂ X 6	4228B	ROCKWELL COACH
14 ¹ / ₂ X 8	4541B	ROCKWELL COACH
15 X 3	235-1245	WAGNER
15 X 3 ¹ / ₂	1307Q	ROCKWELL Q
15 X 3 ¹ / ₂	1307T	ROCKWELL T
15 X 3 ¹ / ₂	463-1280	WAGNER
15 X 4	1308A	WAGNER
15 X 4	1308E	BENDIX (SPICER®) SAP
15 X 4	1308Q	ROCKWELL / MERITOR Q
15 X 4	1308Q	BENDIX (SPICER®) FC
15 X 4	1308T	ROCKWELL / MERITOR T
15 X 4	1443E	BENDIX (SPICER®) ESII
15 X 4	4693	BENDIX
15 X 4	4693HA	BENDIX (SPICER®) HEAVY AXLE
15 X 4	4702R	ROCKWELL / MERITOR Q PLUS
15 X 4	4702R	BENDIX (SPICER®) XTRALIFE II
15 X 4	4729EII	BENDIX (SPICER®) ESII
15 X 4	512	WAGNER
15 X 5	4703R	ROCKWELL / MERITOR Q PLUS

NOTE: Unlined shoes are listed numerically by FMSI number in the Brake Shoe Application section of this catalog.

BRAKE SHOE QUICK REFERENCE LISTED BY DRUM DIAMETER



Brake Size	Unlined Shoe Number	Application
15 X 6	4716EII	BENDIX (SPICER®) REDUCED ENVELOPE
15 X 8 ⁵ / ₈	4710R	ROCKWELL / MERITOR Q PLUS
15 X 8 ⁵ / ₈	4717EII	BENDIX (SPICER®) REDUCED ENVELOPE
16 ¹ / ₂ X 10	4552B	ROCKWELL / MERITOR Q
16 ¹ / ₂ X 10	4567P	ROCKWELL / MERITOR P
16 ¹ / ₂ X 10	4567Q	ROCKWELL / MERITOR Q
16 ¹ / ₂ X 4	4549P	ROCKWELL P
16 ¹ / ₂ X 4	4549Q	ROCKWELL Q
16 ¹ / ₂ X 5	4223E	BENDIX (SPICER®) SAP
16 ¹ / ₂ X 5	4524HA	BENDIX (SPICER®) HEAVY AXLE
16 ¹ / ₂ X 5	4524P	ROCKWELL P
16 ¹ / ₂ X 5	4524Q	ROCKWELL / MERITOR Q
16 ¹ / ₂ X 5	4524QM	ROCKWELL / MERITOR Q / MACK
16 ¹ / ₂ X 5	4719	BENDIX (EATON) ES
16 ¹ / ₂ X 5	4719EII	BENDIX (SPICER®) ESII
16 ¹ / ₂ X 5	4720R	ROCKWELL / MERITOR Q PLUS
16 ¹ / ₂ X 5	4725	BENDIX (EATON) ES
16 ¹ / ₂ X 6	4317E	BENDIX (SPICER®) SAP
16 ¹ / ₂ X 6	4514HA	BENDIX (SPICER®) HEAVY AXLE
16 ¹ / ₂ X 6	4514P	ROCKWELL P
16 ¹ / ₂ X 6	4514Q	ROCKWELL / MERITOR Q
16 ¹ / ₂ X 6	4514Q	BENDIX (SPICER®) FC
16 ¹ / ₂ X 6	4715R	ROCKWELL / MERITOR Q PLUS
16 ¹ / ₂ X 6	4725EII	BENDIX (SPICER®) ESII
16 ¹ / ₂ X 7	4311E	BENDIX (SPICER®) SAP
16 ¹ / ₂ X 7	4468	BENDIX (SPICER®) STD FORGE CAST SHOE
16 ¹ / ₂ X 7	4515E	BENDIX
16 ¹ / ₂ X 7	4515F	FRUEHAUF P 1st
16 ¹ / ₂ X 7	4515FP	FRUEHAUF P
16 ¹ / ₂ X 7	4515HA	BENDIX (SPICER®) HEAVY AXLE
16 ¹ / ₂ X 7	4515M	MACK FABRICATED
16 ¹ / ₂ X 7	4515P	ROCKWELL / MERITOR P
16 ¹ / ₂ X 7	4515P	BENDIX (SPICER®) FT
16 ¹ / ₂ X 7	4515Q	ROCKWELL / MERITOR Q
16 ¹ / ₂ X 7	4515Q	BENDIX (SPICER®) FC
16 ¹ / ₂ X 7	4515QM	ROCKWELL MACK STYLE
16 ¹ / ₂ X 7	4515X2	FRUEHAUF XEM 2nd
16 ¹ / ₂ X 7	4515X3	FRUEHAUF XEM 3rd
16 ¹ / ₂ X 7	4625B	MACK P

NOTE: Unlined shoes are listed numerically by FMSI number in the Brake Shoe Application section of this catalog.

UNLINED SINGLE WEB SHOES MEDIUM DUTY TRUCK & BUS



Application	Bendix Part Number	Brake Size	Lining Number
BENDIX	1308E	15 X 4	1308D
BENDIX ES	1443E	15 X 4	1443D
GM	442	15 X 5	4639D
KELSEY	400	15 X 5	4646D
KELSEY	401	15 X 4	4647D
LUCAS	542	15 X 5	4528AD
LUCAS	543	15 X 6	4504A
LUCAS	544	15 X 7	4505A
ROCKWELL/MERITOR	1308Q	15 X 4	1308D
ROCKWELL/MERITOR	1308T	15 X 4	1308D
WAGNER	235	15 X 3	1245D
WAGNER	321	15 X 3	1245CD
WAGNER	322	15 X 3 ^{1/2}	1280BD
WAGNER	346	15 X 5	4639D
WAGNER	381	15 X 6	4596D
WAGNER	383	15 X 7	4597D
WAGNER	455	15 X 3 ^{1/2}	1279D
WAGNER	458	15 X 4	1308D
WAGNER	463	15 X 3 ^{1/2}	1280D
WAGNER	512	15 X 4	1308D



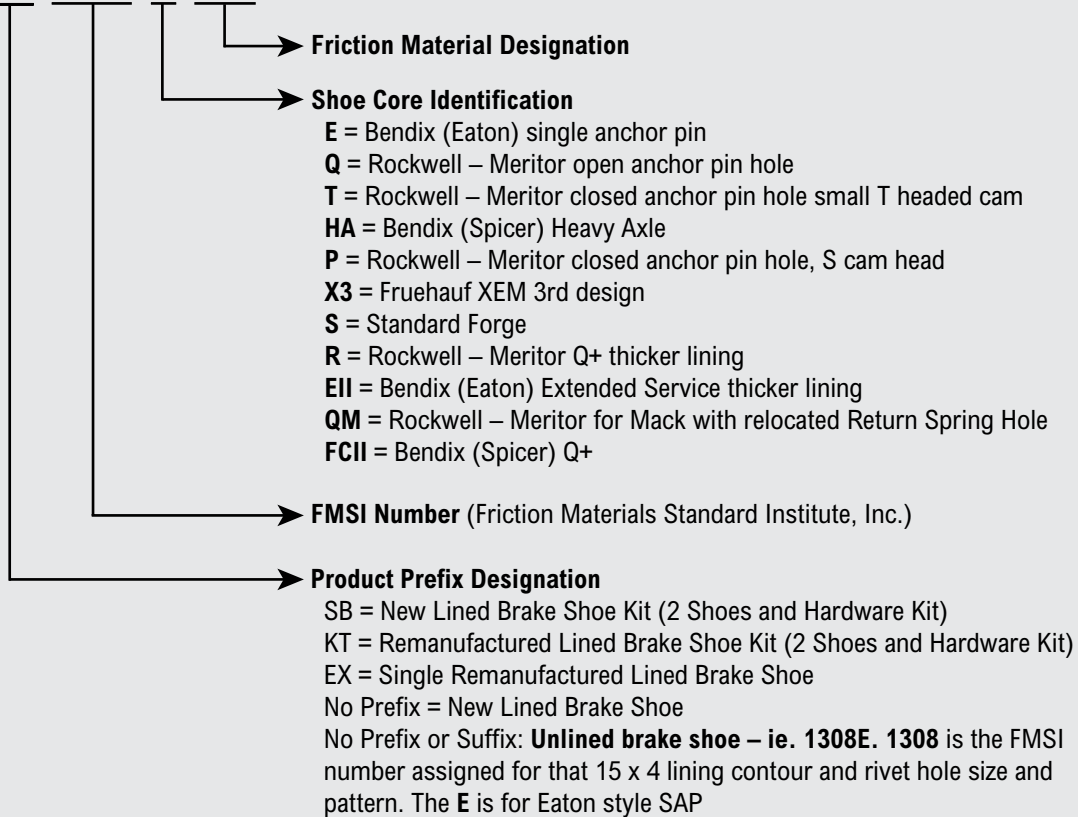
BENDIX FRICTION CONTENT STANDARD PLATFORM

BW7248

Bendix Friction	Attributes	Fiberglass Fibers	Ceramic Fibers	Aramid Fibers	Carbon Fibers	Metallic Fibers	Maximum GAWR [16 1/2 x 8 3/8 Drive and Trailer]	Maximum GAWR [16 1/2 x 7 Drive and Trailer]	Maximum GAWR [16.5 x 5, 6 Steer Brake]	Maximum GAWR [15 x 4 Steer Line Haul]
BLACK	High value friction material of high torque for the line haul and medium-duty vocational applications.	X	X		X	X	20,000	20,000	20,000	12,000
BLUE	Premium standard platform long life conventional lining for all 20K line haul applications.	X		X			20,000	20,000	N.A.	N.A.
BRONZE	Severe service full metallic lining for the standard service platform.	X		X		X	25,000	23,000	20,000	N.A.
GOLD	The quiet lining for standard service platform that works over a complete temperature range (similar to transit lining).	X	X	X			23,000	20,000	16,000	14,600
ORANGE	Severe duty combination lining for the standard service platform.	X		X		X	25,000	23,000	20,000	N.A.
RED	Premium standard service platform lining for typical over-the-road 23K applications.	X		X			23,000	23,000	16,000	14,600
SILVER	Standard service platform lining that may be used for a wide range of applications including line haul and pick-up and delivery.	X					20,000	20,000	N.A.	N.A.
YELLOW	On/off highway line haul as well as vocational applications for the standard service platform.	X	X				25,000	23,000	20,000	N.A.

Brake Shoe and Kit Product Identification

SB 4515 Q RED



BENDIX FRICTION CONTENT ES PLATFORM



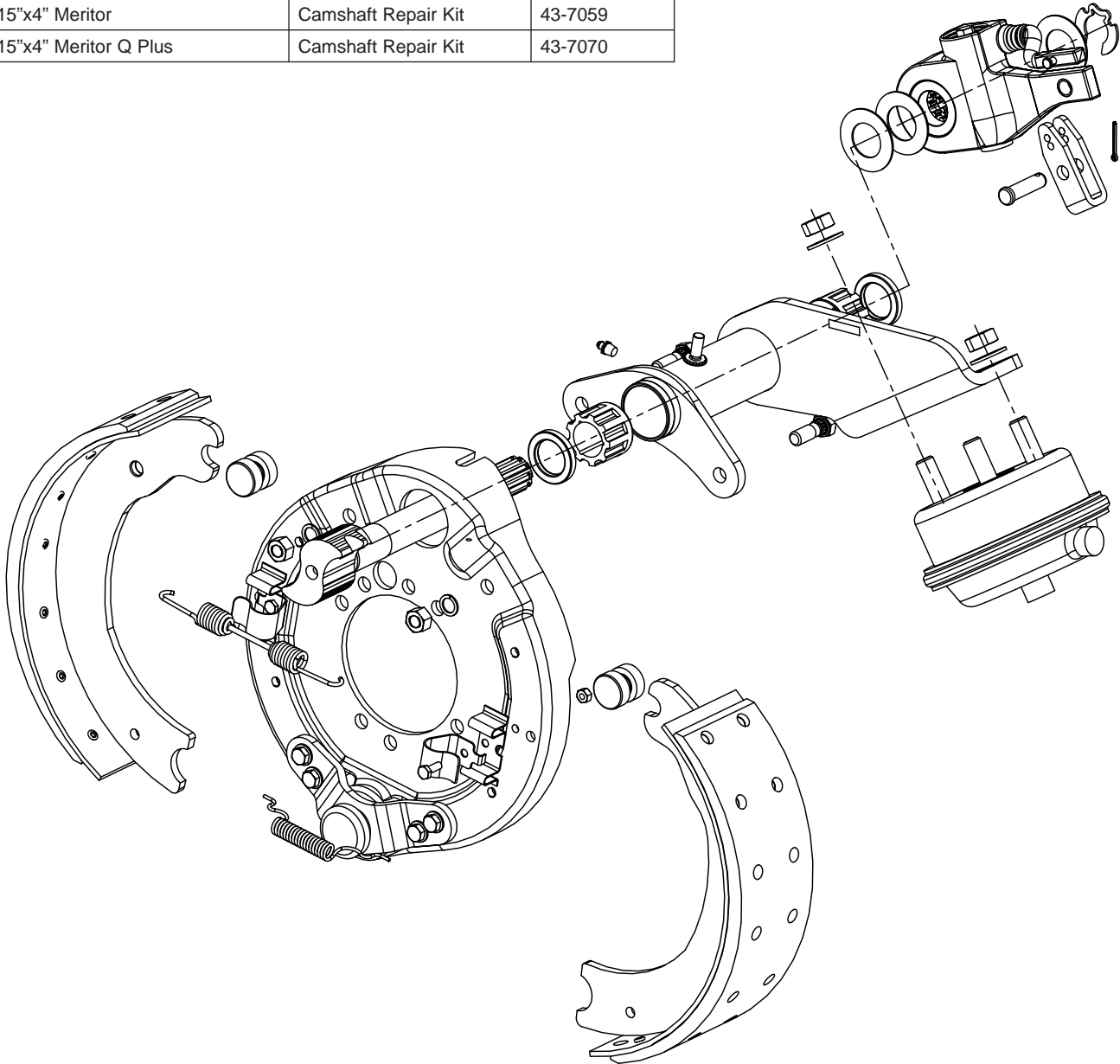
Bendix Friction	Attributes	Fiberglass Fibers	Ceramic Fibers	Aramid Fibers	Carbon Fibers	Metallic Fibers	Maximum GAWR [16 1/2 x 8 5/8 Drive and Trailer]	Maximum GAWR [16 1/2 x 7 Drive and Trailer]	Maximum GAWR [16.5 x 5.6 Steer Brake]	Maximum GAWR [15 x 4 Steer Line Haul]
ES 310	Extended service heavy duty lining that works at high temperatures seen in the smaller sizes brakes.	Formula for Reduced Envelope Brake Package					20,000 for all 15" x 8.625" Reduced Envelope Brakes		14,600 for all 15" x 6" Reduced Envelope Brakes	
ES 420	Long life lining for extended duty platform for the complete temperature range in the 20K applications.	X		X	X		23,000	20,000	14,600	13,200
ES 440	Replaced with Bendix Gold.	X		X			N.A.	20,000	16,000	14,600
ES 450	New extended service cohesive lining for long haul owner operator.	Cohesive Friction					N.A.	20,000	14,600	13,200
ES 600	On highway extended service lining that is extremely quiet as well as having the torque to stop moderate to heavy loads.	X			X		23,000	22,000	14,600	13,200
ES 680	High torque extended service lining for both the bulk hauler as well as the specialty hauler.	X			X		N.A.	23,000	N.A.	N.A.
ES 690	Extended service lining for heavy haulers that are used in both line haul as well as vocational applications.	X	X				26,000	23,000	N.A.	N.A.
ES 1100	Severe service full metallic lining for the extended service platform.	X			X	X	26,000	23,000	20,000	13,200
ES 1100/ES 600	Severe service where a combination lining is best for the application on extended service platform.	X			X	X	N.A.	26,000	14,600	13,200
ES1160	When ES1160 is referenced in the following pages, the actual lining material being installed is ES 1100/ES 600									

COMPETITIVE CROSS REFERENCE													
Bendix	Maximum GAWR*												
	20,000				23,000						25,000		
	Reduced Envelope Platform	Standard Platform	Extended Service Platform	Cohesive Lining	Standard Platform	Extended Service Platform	Severe Service		Combination Block		Metallic		Extended Service Platform
							Standard Platform	Extended Service Platform	Standard Platform	Extended Service Platform	Standard Platform	Extended Service Platform	
ES310	Black Blue	ES410 ES420	ES450	Red Yellow	ES600 ES690	Gold	ES440	Orange	ES1160	Bronze	ES1100	ES1050	
ABEX®	EN PREMIUM 6008-1 FF (3030-197) EL SUPREME II 6011 FF (3030-67)				EX SUPREME 685 FF (931-162) MX 697 EE		EH SUPREME 6040 GG (1083-9)		MC 685/695FF EC 685/6069GG			EW SUPREME 6028 GG (1083-7) EH6040	
BENDIX®	BXV, BXS, BXP					BXHD							
BRAKEPRO®	CM16			CM24	CM18 CM20	CM22A-1		CMB42		CMM46		CM29	
CARLISLE®	MM MB21FF MB20 FF			CF2000	MM HD1L FF MM MB23 FF		MM HD5 GG WT56		MM HB 62 GG MB44 E44		MM HB 60 GG		
EUCLID®	E77 FF E78 FF				E88 FF				E98 FF E96				
FRAS-LE®	AF/550/FF AF/555/FF AF/556/FF				AF/557/FF		AF/587/GG		AF/560/FF AF/555/FF		AF/560/FF		AF/587/GG
HALDEX®/MIDLAND®/ GREYROCK®	GS 2015 FF GD 2016 FF GS2015 GF3008			GR3010	GG3020 GD2016				GC 2040 FF / 2020 FF		GM 2040 FF		
MARATHON®	DL FF DB20 FF				FLOE FF HS FF		TS GG GW2025		MBC FF		MBS FF GZ2035 GM2040		GP2030
MERITOR®	MA210 MA212 MG1 MG2L				MA310 MG2		R401		CG		MET		R403
TMD®	4001M EF				3002T FF		3001T FF		3001T FF/3002T FF				

* Note: Information compiled from various industry sources. The GAWR for each friction material may vary depending on the AL factor. Bendix does not make any inference to FMSI testing results for the above non-Bendix linings.
Maximum GAWR based on 16 1/2" x 7" Drive and Trailer applications.

Steer Axle Drum Brake

Application	Description	Piece Number
15"x4" Bendix	Brake Hardware Kit	HK54
15"x4" Bendix Extended Service	Brake Hardware Kit	HK54
15"x4" Meritor	Brake Hardware Kit	HK55
15"x4" Meritor Q Plus	Brake Hardware Kit	HK66XLS
15"x4" Bendix	Camshaft Repair Kit	43-7060
15"x4" Bendix Extended Service	Camshaft Repair Kit	43-7060
15"x4" Meritor	Camshaft Repair Kit	43-7059
15"x4" Meritor Q Plus	Camshaft Repair Kit	43-7070

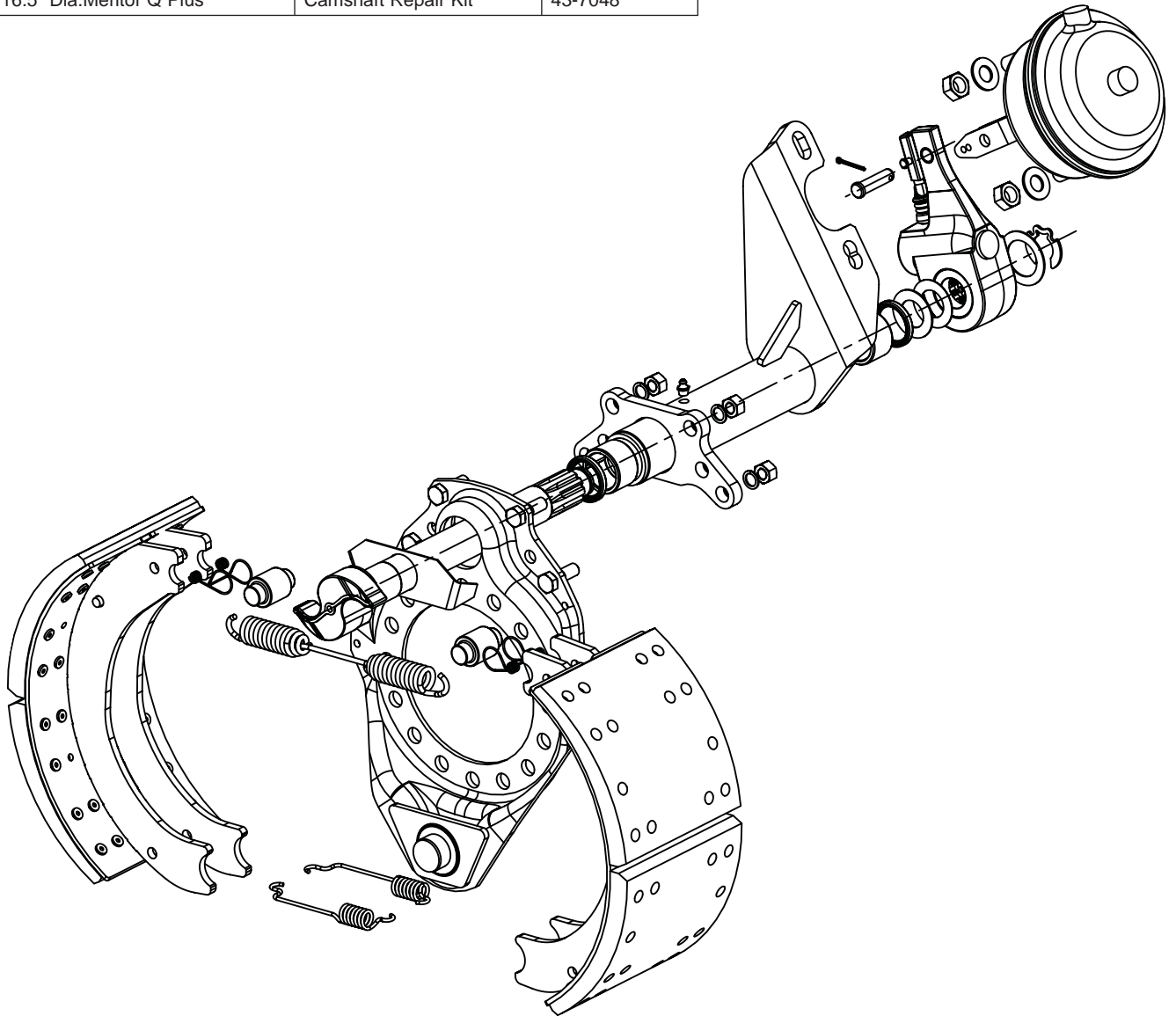


NOTE:

Popular part numbers listed above are for reference only. Many other components and configurations are available. Review catalog detail for specific application and component detail.

Drive Axle Drum Brake

Application	Description	Piece Number
16.5" Dia. Bendix	Brake Hardware Kit	HK24XLSHM
16.5" Dia. Bendix Extended Service	Brake Hardware Kit	HK61XLS
16.5" Dia Meritor	Brake Hardware Kit	HK29XLS
16.5" Dia. Meritor Q Plus	Brake Hardware Kit	HK29XLS
16.5" Dia. Bendix Extended Service	Camshaft Repair Kit	43-7069
16.5" Dia. Meritor Q Plus	Camshaft Repair Kit	43-7048

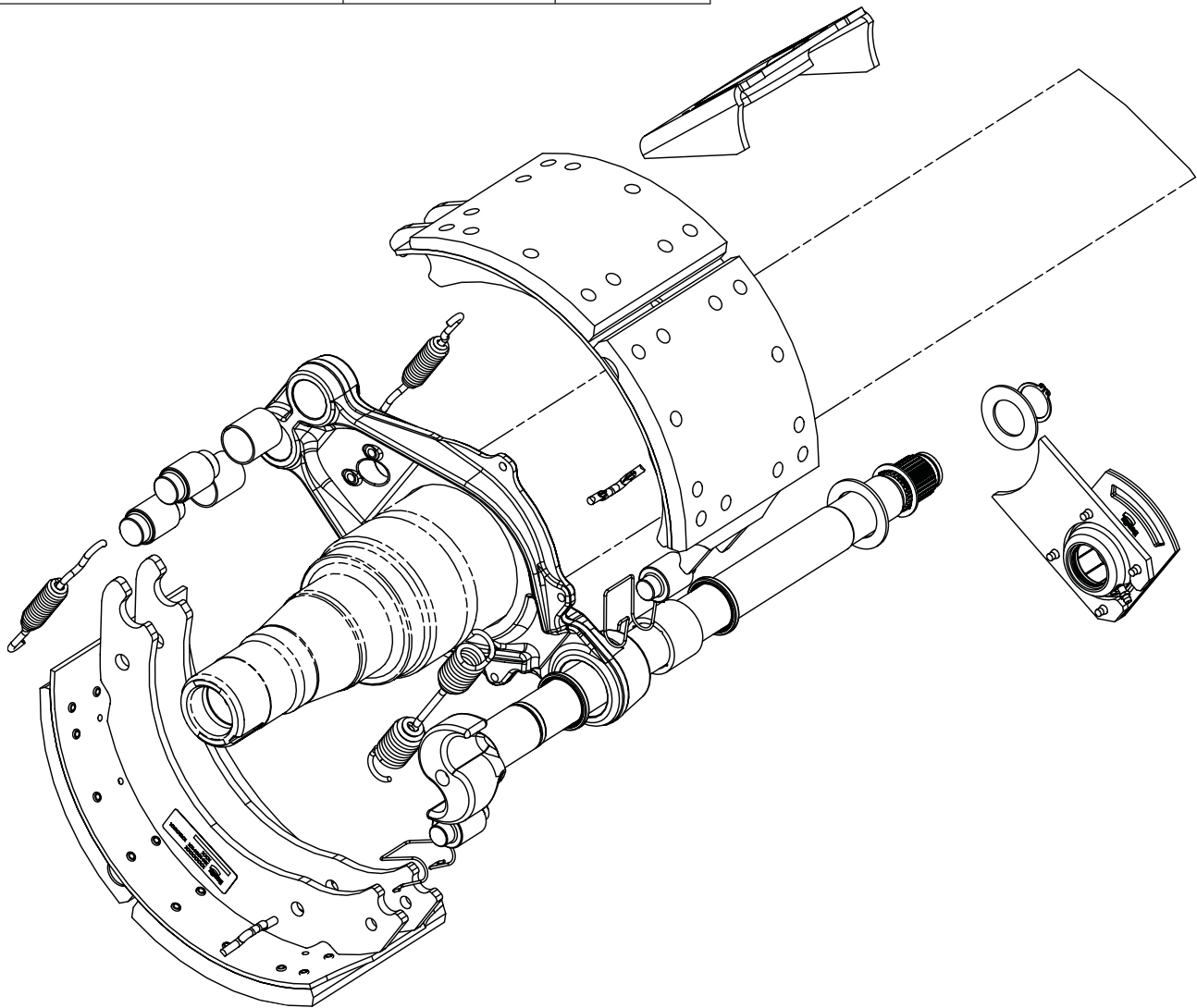


NOTE:

Popular part numbers listed above are for reference only. Many other components and configurations are available. Review catalog detail for specific application and component detail.

Trailer Axle Drum Brake

Application	Description	Piece Number
16.5" Dia. SAP Bendix	Brake Hardware Kit	HK24XLSHM
16.5" Dia. SAP Bendix Extended Service	Brake Hardware Kit	HK61XLS
16.5" Dia. DAP Bendix	Brake Hardware Kit	HK29XLS
16.5" Dia. DAP Bendix Extended Service	Brake Hardware Kit	HK29XLS
16.5" Dia. Meritor	Brake Hardware Kit	HK29XLS
16.5" Dia. Meritor Q Plus	Brake Hardware Kit	HK29XLS
16.5" Dia. ProPar	Brake Hardware Kit	HK34XLS
16.5" Dia. Bendix Extended Service	Camshaft Repair Kit	43-7118
16.5" Dia. Meritor Q Plus	Camshaft Repair Kit	43-7072
16.5" Dia. ProPar	Camshaft Repair Kit	43-7039

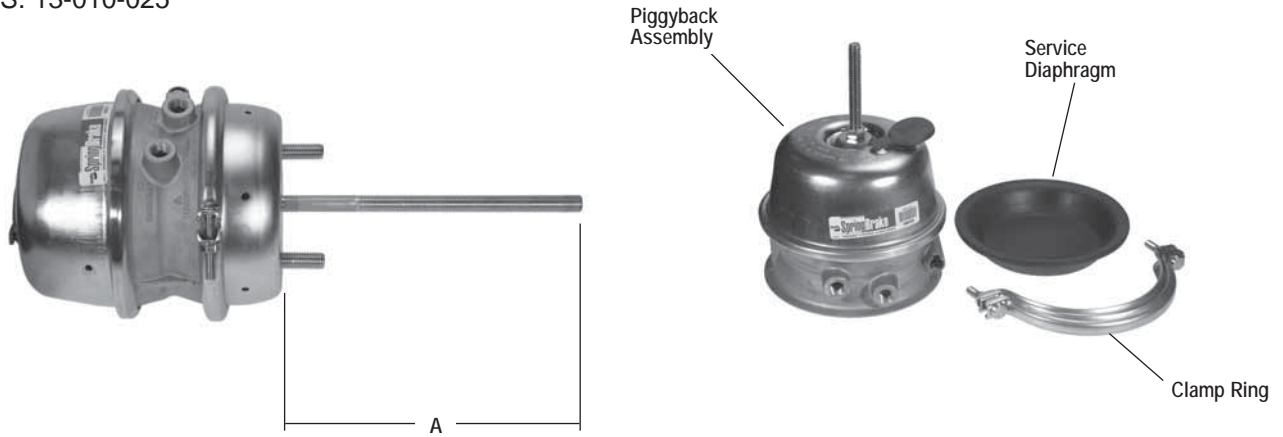


NOTE:

Popular part numbers listed above are for reference only. Many other components and configurations are available. Review catalog detail for specific application and component detail.

Spring Brakes

V.M.R.S. 13-010-025



Type	Stroke	A Push Rod Length ¹	Spring Brake Service Pc. No.		Piggyback Kit ³	Piggyback	Rubber Service Diaphragm	Service Return Spring
			Without Yoke	With Yoke ²				
24/24	2.50"	8.00"	800829	5007130	K027230	5007124	802489	800919
24/30	2.50"	8.00"	800830	5007131	K027231	5007125		
30/30	2.50"	5.88"	801130	802708	5007610	5007126	802490	
		7.80"	800831	5007132N				
		9.75"	802547	N/A				
		12.00"	801300	N/A				
30/30	3.00" Long Stroke	8.00"	K022884	K022883	5011594	801377N	801379	
		9.75"	802541	N/A				
30/36	2.50"	7.80"	800832	N/A	K024654	5007127	802490	
		9.75"	K022893	N/A				

¹ Push rod length measured in the fully retracted, zero stroke position.

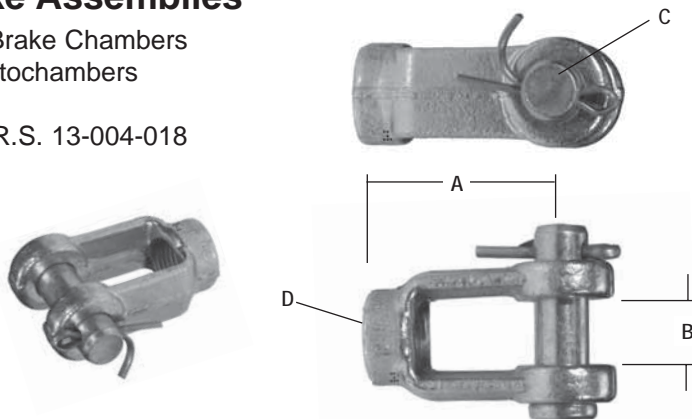
² Yoke part number 228790N is included. See yoke information below.

³ Piggyback kit includes: Piggyback assembly, clamp bands with hardware, and a rubber service diaphragm.

Yoke Assemblies

For Brake Chambers
& Rotochambers

V.M.R.S. 13-004-018



Yoke Assembly Pc. No.	A End to Pin	B Slot Width	C Pin Dia.	D Thread Size
205948N	1-3/4"	9/16"	1/2"	1/2-20
228790N	1-3/4"	9/16"	1/2"	5/8-18
228798N	1-3/4"	9/16"	5/8"	5/8-18
229496N	1-7/8"	13/16"	3/4"	5/8-18
282592N	2"	13/16"	3/4"	3/4-16

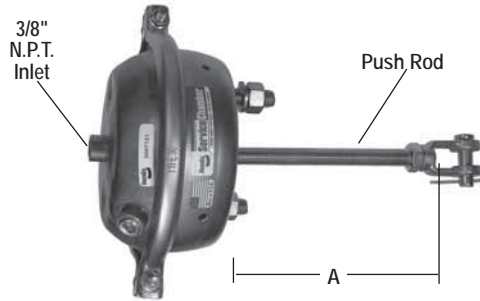
NOTE:

Popular part numbers listed above are for reference only. Many other components and configurations are available. Review catalog detail for specific application and component detail.

Brake Chambers

Fully Threaded Push Rod

V.M.R.S. 13-010-034



Brake Chamber Type	Stroke	Service New Pc. No.	A Push Rod Length	Yoke Included	Rubber Diaphragm	Spring
16	2.25"	800823	8.60"	No	234189	234192
20	2.50"	802990	8.20"	No	234099	234129
24	2.50"	802986	8.00"	No	234100	234130
30	2.50"	801685	6.00"	No	234101	234131
		800826	7.60"	No		
		5007121N	7.60"	Yes		
		802988	7.75"	No		



Diaphragm

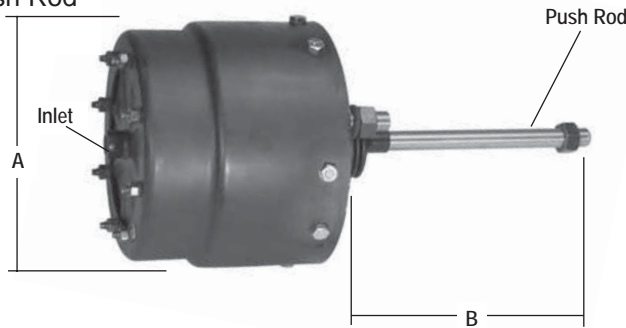


Spring

Rotochambers

V.M.R.S. 13-010-034

Fully Threaded Push Rod



Spring



A Dia.

Diaphragm

Type	Service New Pc. No.	Port Size (NPT)	A Diameter	B Push Rod Length	Push Rod Thread	Diaphragm Material and Size			Spring
						Rubber	Neoprene	Diameter	
9	229814	1/4"-18	4-3/4"	13"	1/2"-20	234172	236524	4-5/16"	231481
12	229815	3/8"-18	5-9/32"	11"	1/2"-20	231506	236525	4-27/32"	231513
16	229816	3/8"-18	5-7/8"	7-7/8"	1/2"-20	231525	236526	5-7/16"	231531
20	229817	3/8"-18	6-13/32"	6-7/8"	1/2"-20	231982	236527	5-31/32"	231933
24	229818	1/4"-18	6-15/16"	5-13/16"	1/2"-20	231516	236528	6-7/16"	231522
30	229819	1/4"-18	7-17/32"	9-1/16"	5/8"-18	231543	236529	7-3/32"	231549
36	229820	1/4"-18	8-5/32"	8-1/16"	5/8"-18	231534	236530	7-21/32"	231540
50	229821	3/8"-18	9-13/32"	10-15/16"	3/4"-16	231491	236531	8-29/32"	231498

NOTE:

Popular part numbers listed above are for reference only. Many other components and configurations are available. Review catalog detail for specific application and component detail.

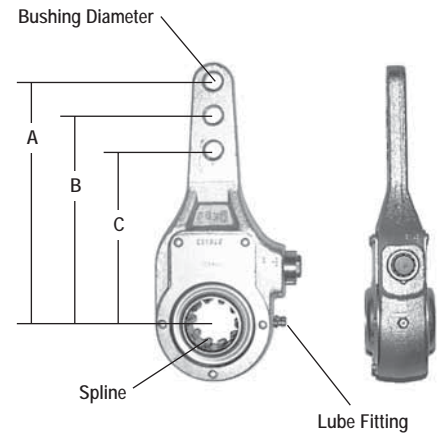
Straight Arm

V.M.R.S. 13-001-030 (FRONT)
13-002-028 (REAR)

Selecting A Slack Adjuster

1. Determine if straight or offset arm. If offset determine if RH or LH is needed.
2. Identify spline size (diameter and number of teeth).
3. Select model needed.
4. Determine the arm hole used (if slack contains more than one).
5. Identify bushing diameter.

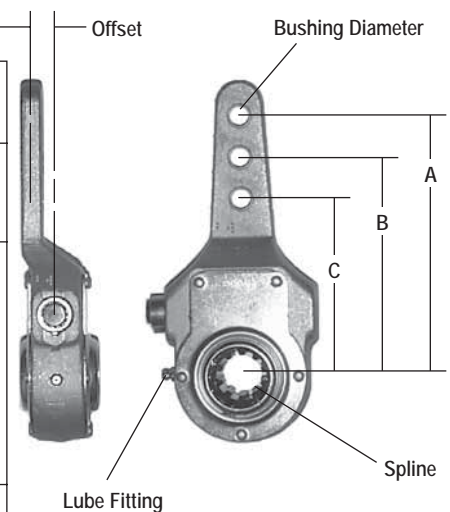
Service New Pc. No.	SAE Torque Rating-lbs	Spline	Teeth	Arm Length (In.)			Bushing Dia.	Lube Fitting	Fitting Direction
				A	B	C			
278302	26,000	1-1/4"	10	5.5	4.5	-	0.5	Straight	Straight
278305	26,000			7.0	6.0	5.0			
278323N	26,000	1-1/2"	10	7.0	6.0	5.0	0.5	Straight	Straight
278326N	26,000			6.5	5.5	-			
278008	30,000			6.5	5.5	-			
278010N	30,000			6.0	5.0	-			
278045N	30,000			7.0	6.0	5.0			
279634N	30,000			7.75	6.75	-			
101827N	26,000	1-1/2"	10	6.0	-	-	0.625	90 Deg. Straight	Left
277959N	26,000			6.5	5.5	-			
102110N	30,000			6.5	5.5	-			
278016N	30,000			6.5	5.5	-			
278017N	30,000			6.0	5.0	-			
278035N	30,000			7.5	5.5	-			
288282	26,000	1-1/2"	28	7.0	6.0	5.0	0.5	Straight	Straight
286965N	26,000			6.0	5.0	-			
288753N	26,000			6.5	5.5	-			
287899N	30,000			6.5	5.5	-			
101133N	26,000	1-1/2"	28	6.0	5.0	-	0.625	Straight	Straight
101134	26,000			6.5	5.5	-			
101289N	26,000			6.5	5.5	-			
101290N	26,000			6.0	5.0	-			
101214N	30,000			6.5	5.5	-			
101215N	30,000			6.0	5.0	-			
101216N	30,000			7.0	-	-			
283411	26,000			1-5/8"	37	6.0			



Offset Arm

Left Hand (LH) Shown - Right Hand (RH) Opposite

Service New Pc. No.	SAE Torque Rating-lbs	Spline	Teeth	Arm Length (In.)			Bushing Dia.	Lube Fitting	Offset	Handed
				A	B	C				
278288	26,000	1-1/4"	10	6.0	5.0	4.0	0.5	Straight	0.625	RH
278289				6.0	5.0	4.0				LH
278294N				5.5	4.5	-				RH
278295				5.5	4.5	-				LH
278252	26,000	1-1/2"	10	5.5	4.5	-	0.5	Straight	0.625	RH
278253				5.5	4.5	-				LH
279300N				5.25	-	-				RH
279301N				5.25	-	-				LH
279946N				7.0	6.0	-				RH
279947N				7.0	6.0	-				LH
280424				6.0	5.0	4.0				RH
280425				6.0	5.0	4.0				LH
282560				6.5	5.5	-				RH
282561				6.5	5.5	-				LH
279309	20,000	1-1/2"	10	5.75	-	-	0.5	Straight	1.5	LH
279350				7.0	-	-				RH
279351N				7.0	-	-				LH
288539N				6.5	5.5	-				RH
288540N				6.5	5.5	-				LH
288541N				6.0	5.0	-				RH
288542N	6.0	5.0	-	LH						
101413N	20,000	1-1/2"	28	5.5	-	-	0.5	Straight	1.5	LH
101414N				5.5	-	-				RH
287896				6.5	5.5	-				RH
287897				6.5	5.5	-				LH



NOTE:

Popular part numbers listed above are for reference only. Many other components and configurations are available. Review catalog detail for specific application and component detail.

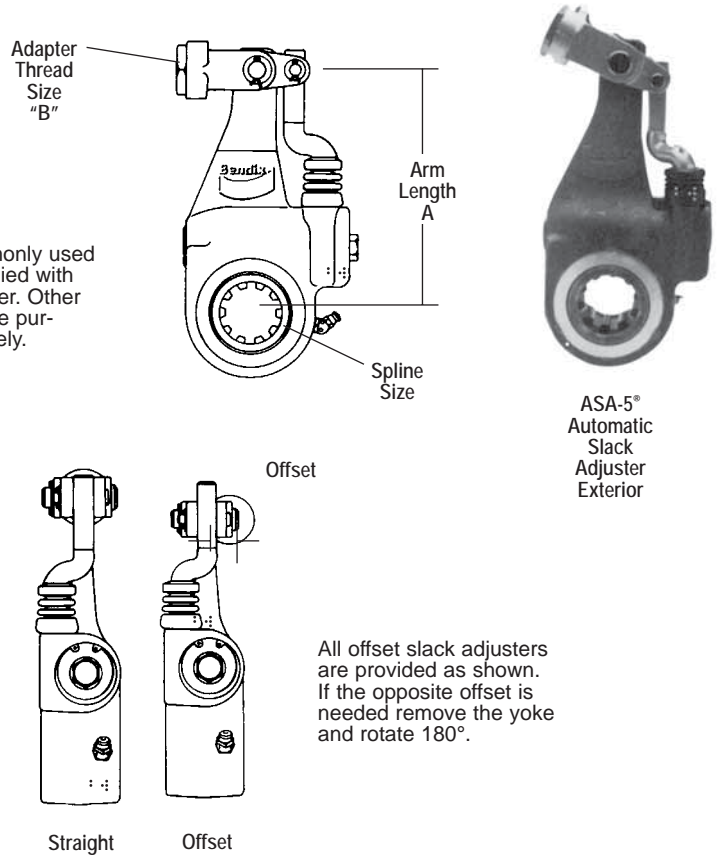
ASA-5® Automatic Slack Adjuster

V.M.R.S. 013-001-030 (FRONT)
013-002-028 (REAR)

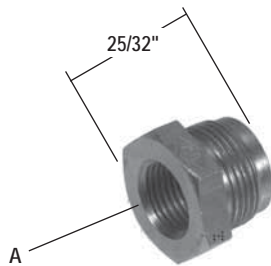
ASA-5® Automatic Slack Adjuster Maintenance Kits

Kit Pc. No.	Description
107162	1/2" Adapter Kit - Quick Connect
107161N	5/8" Adapter Kit - Quick Connect
107157	Quick Connect Yoke Kit (Straight)
107159	Quick Connect Yoke Kit (Offset)
107158	Easy-On Yoke Kit (Straight)
107160	Easy-On Yoke Kit (Offset)

Kit contents at the end of this catalog section.

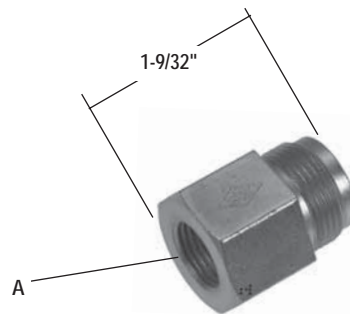


Standard Adapter



Service New Pc. No.	A Push Rod Thread Size
291452N	5/8"-18 UNF
292756N	1/2"-20 UNF

Extended Adapter



Service New Pc. No.	A Push Rod Thread Size
297700N	5/8"-18 UNF
297701N	1/2"-20 UNF

NOTE:

Popular part numbers listed above are for reference only. Many other components and configurations are available. Review catalog detail for specific application and component detail.

SLACK ADJUSTERS QUICK REFERENCE



ASA-5® Slack Adjuster Service Assy. Pc. No.	Arm Length A	Adapter Thread Size B	Yoke Offset	Service Parts/Kits	
				Adapter	Yoke
1 1/4"-10C Spline					
065162	5"	1/2"-20	5/8"	292756N	107160
065163	5-1/2"	5/8"-18	5/8"	291452N	107160
065244	5-1/2"	1/2"-20	5/8"	292756N	107160
065164	5-1/2"	1/2"-20	Straight	292756N	107158
801351	5-1/2"	5/8"-18	Straight	291452N	107158
801359	5"	5/8"-18	5/8"	291452N	107160
1 1/4"-24 Spline					
065166	5"	1/2"-20	5/8"	292756N	107160
065167	5-1/2"	5/8"-18	Straight	291452N	107158
065274	5-1/2"	1/2"-20	Straight	292756N	107158
801357	5"	5/8"-18	5/8"	291452N	107160
1 1/2"-10C Spline					
065168	5"	1/2"-20	Straight	292756N	107158
065169	5-1/2"	1/2"-20	5/8"	292756N	107160
065170	5-1/2"	5/8"-18	Straight	291452N	107158
065172	6"	5/8"-18	Straight	291452N	107158
801352	5"	5/8"-18	Straight	291452N	107158
801353	5-1/2"	1/2"-20	Straight	292756N	107158
801358	5-1/2"	5/8"-18	5/8"	291452N	107160
1 1/2"-28 Spline					
065173	5"	1/2"-20	Straight	292756N	107158
065174	5-1/2"	5/8"-18	Straight	291452N	107158
065176	6"	5/8"-18	Straight	291452N	107158
801354	5"	5/8"-18	Straight	291452N	107158
801355	5-1/2"	1/2"-20	Straight	292756N	107158
801356	6"	1/2"-20	Straight	292756N	107158
1 5/8"-37 Spline					
065177	6"	5/8"-18	Straight	291452N	107158
065178	5-1/2"	5/8"-18	Straight	291452N	107158







The easy-on-yoke assemblies are standard on the ASA-5® service basic slack adjusters, however, early production assemblies may contain the quick connect yoke.

If the quick connect yoke is required it must be purchased separately and installed by the customer.

All ASA-5® slack adjusters are supplied with a 45° lube fitting unless otherwise noted.

NOTE:

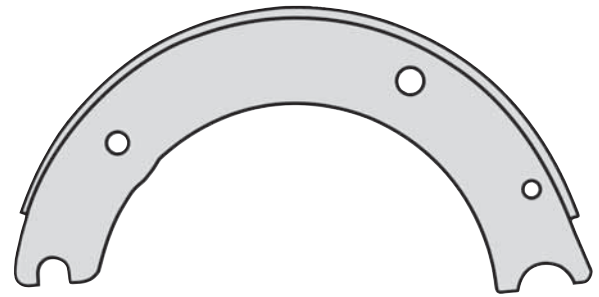
Popular part numbers listed above are for reference only. Many other components and configurations are available. Review catalog detail for specific application and component detail.

	<p>5/8" Adapter Kit - Quick Connect Pc. No. 107161N</p>
	<p>1/2" Adapter Kit - Quick Connect Pc. No. 107162</p>
	<p>Quick Connect Yoke Kit (Offset) - Pc. No. 107159</p>
	<p>Easy-On Yoke Kit (Offset) - Pc. No. 107160</p>
	<p>Quick Connect Yoke Kit (Straight) - Pc. No. 107157</p>
	<p>Easy-On Yoke Kit (Straight) - Pc. No. 107158</p>

NOTE: Popular part numbers listed above are for reference only. Many other components and configurations are available. Review catalog detail for specific application and component detail.

Unlined Brake Shoe No. 1308E

Brake Size: 15 X 4
 Rivet Size: 10-7
 Brake Type: BENDIX® SAP
 Interchange with:
 BENDIX 1005840
 ROCKWELL / MERITOR A3222Q1837

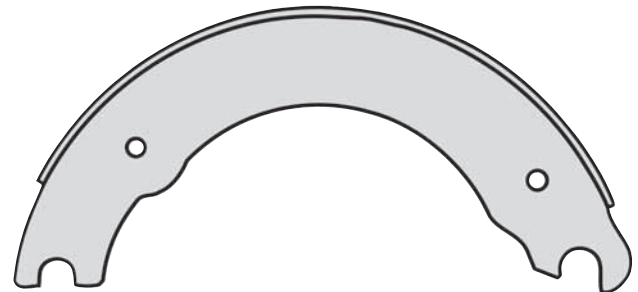


Linings	Lined Shoe Number	Replace-A-Brake Kit Number	Hardware in Replace-A-Brake Kit
Bendix Black	1308EBLK	SB1308EBLK	HK54
Bendix Red	1308ERED	SB1308ERED	HK54
Bendix Black	EX1308EBLK	KT1308EBLK	HK54
Bendix Red	EX1308ERED	KT1308ERED	HK54

Hardware kit number available for this typical brake shoe application: HK54

Unlined Brake Shoe No. 1308Q

Brake Size: 15 X 4
 Rivet Size: 10-7
 Brake Type: ROCKWELL / MERITOR Q
 BENDIX® FC
 Interchange with:
 ROCKWELL / MERITOR A3222F1982



Linings	Lined Shoe Number	Replace-A-Brake Kit Number	Hardware in Replace-A-Brake Kit
Bendix Black	1308QBLK	SB1308QBLK	HK55
Bendix Red	1308QRED	SB1308QRED	HK55
Bendix Black	EX1308QBLK	KT1308QBLK	HK55
Bendix Red	EX1308QRED	KT1308QRED	HK55

Hardware kit number available for this typical brake shoe application: HK55

Short kit available for this brake shoe application: HK77

Not interchangeable with Rockwell "T"

Unlined Brake Shoe No. 1308T

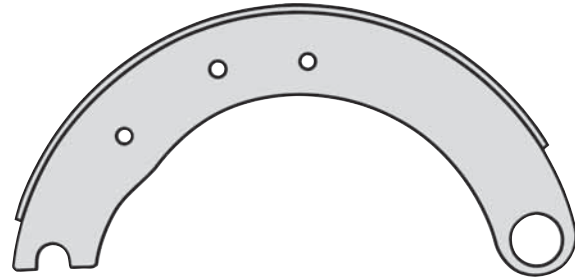
Brake Size: 15 X 4

Rivet Size: 10-7

Brake Type: ROCKWELL / MERITOR T

Interchange with:

ROCKWELL / MERITOR A3222F1072



Linings	Lined Shoe Number	Replace-A-Brake Kit Number	Hardware in Replace-A-Brake Kit
Bendix Red	1308TRED	SB1308TRED	HK51
Bendix Red	EX1308TRED	KT1308TRED	HK51

Hardware kit number available for this typical brake shoe application: HK51

Short kit available for this brake shoe application: HK50

Not interchangeable with Rockwell "Q"

Unlined Brake Shoe No. 1443E

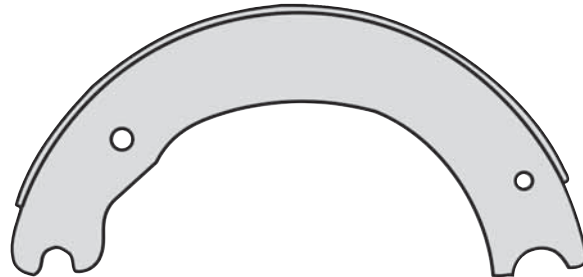
Brake Size: 15 X 4

Rivet Size: 10-7

Brake Type: BENDIX® ESII

Interchange with:

BENDIX 807685

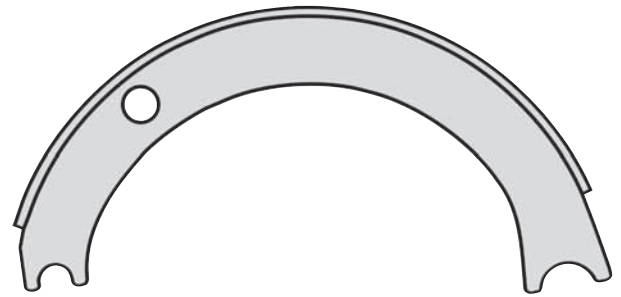


Linings	Lined Shoe Number	Replace-A-Brake Kit Number	Hardware in Replace-A-Brake Kit
Bendix Black	1443EBLK	SB1443EBLK	HK54
Bendix ES 420	1443E420	SB1443E420	HK54
Bendix ES 600	1443E600	SB1443E600	HK54
Bendix Red	1443ERED	SB1443ERED	HK54
Bendix Black	EX1443EBLK	KT1443EBLK	HK54
Bendix ES 420	EX1443E420	KT1443E420	HK54
Bendix ES 600	EX1443E600	KT1443E600	HK54
Bendix Red	EX1443ERED	KT1443ERED	HK54

This shoe DOES NOT interchange with standard Bendix 1308E front shoes.

Hardware kit number available for this typical brake shoe application: HK54

Unlined Brake Shoe No. 4223E
 Brake Size: 16 1/2 X 5
 Rivet Size: 10-8 1/2
 Brake Type: BENDIX® SAP
 Interchange with:
 BENDIX 805676 LOW MOUNT
 BENDIX 805677 HIGH MOUNT



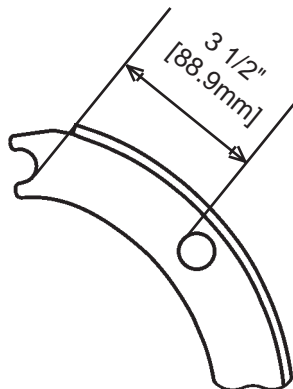
Linings	Lined Shoe Number	Replace-A-Brake Kit Number	Hardware in Replace-A-Brake Kit
Bendix Blue	4223EBLU	SB4223EBLU	HK24XLSHM
Bendix Red	4223ERED	SB4223ERED	HK24XLSHM
Bendix Blue	EX4223EBLU	KT4223EBLU	HK24XLSHM
Bendix Red	EX4223ERED	KT4223ERED	HK24XLSHM

Hardware kit number available for “high mount” brake shoe application (see illustration below) for steer axles where horse collar is not used: HK24XLSHM

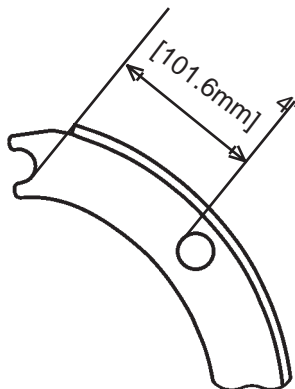
Hardware kit number available for “low mount” brake shoe application (see illustration below) for steer axles where horse collar is not used: HK24XLSLM, HK24SDLM

Hardware kit number available for this brake shoe application for “heavy duty” steer axles where horse collar is used: HK64XLS

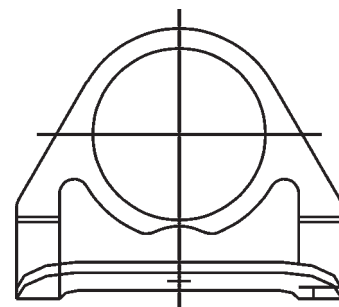
- High mount shoes and low mount shoes use different return springs.
- High mount shoes can replace low mount shoes in all applications with the appropriate hardware kits.
- Low mount shoes cannot replace high mount shoes.



High Mount Shoes



Low Mount Shoes



Horse Collar

Unlined Brake Shoe No. 4311E

Brake Size: 16 1/2 X 7

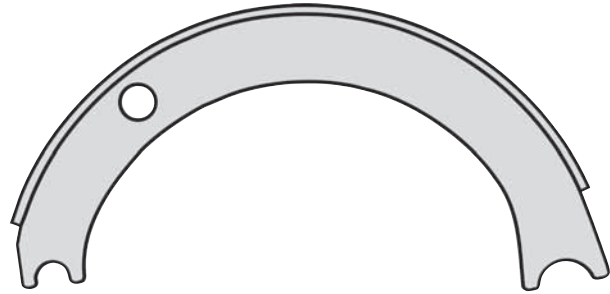
Rivet Size: 10-8 1/2

Brake Type: BENDIX® SAP

Interchange with:

BENDIX 805442 LOW MOUNT

BENDIX 805460 HIGH MOUNT



Linings	Lined Shoe Number	Replace-A-Brake Kit Number	Hardware in Replace-A-Brake Kit
Bendix Black	4311EBLK	SB4311EBLK	HK24XLSLM
Bendix Blue	4311EBLU	SB4311EBLU	HK24XLSLM
Bendix Bronze	4311EBRZ	SB4311EBRZ	HK24SDLM
Bendix Gold	4311EGLD	SB4311EGLD	HK24XLSLM
Bendix Orange	4311EORG	SB4311EORG	HK24XLSLDM
Bendix Red	4311ERED	SB4311ERED	HK24XLSLM
Bendix Silver	4311ESIL	SB4311ESIL	HK24XLSLM
Bendix Yellow	4311EYEL	SB4311EYEL	HK24XLSLM
Bendix Black	EX4311EBLK	KT4311EBLK	HK24XLSLM
Bendix Blue	EX4311EBLU	KT4311EBLU	HK24XLSLM
Bendix Bronze	EX4311EBRZ	KT4311EBRZ	HK24SDLM
Bendix Gold	EX4311EGLD	KT4311EGLD	HK24XLSLM
Bendix Orange	EX4311EORG	KT4311EORG	HK24SDLM
Bendix Red	EX4311ERED	KT4311ERED	HK24XLSLM
Bendix Silver	EX4311ESIL	KT4311ESIL	HK24XLSLM
Bendix Yellow	EX4311EYEL	KT4311EYEL	HK24XLSLM

Hardware kit number available for “high mount” brake application (see illustration on previous page) : HK24XLSHM

Hardware kit number available for “low mount” brake shoe application (see illustration on previous page) :
HK24XLSLM, HK24SDLM

Unlined Brake Shoe No. 4317E

Brake Size: 16 1/2 X 6

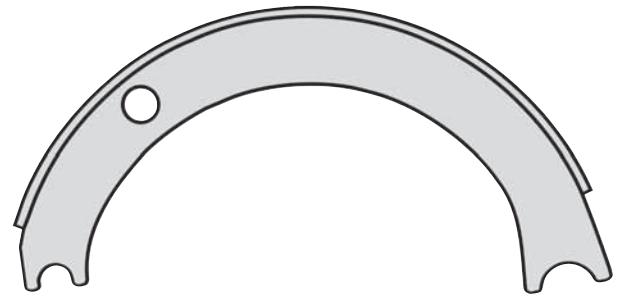
Rivet Size: 10-8 1/2

Brake Type: BENDIX® SAP

Interchange with:

BENDIX 805679 HIGH MOUNT

BENDIX 805678 LOW MOUNT



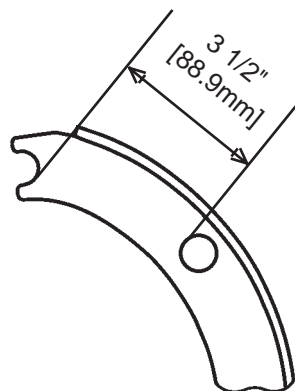
Linings	Lined Shoe Number	Replace-A-Brake Kit Number	Hardware in Replace-A-Brake Kit
Bendix Red	4317ERED	SB4317ERED	HK24XLSHM
Bendix Red	EX4317ERED	KT4317ERED	HK24XLSHM

Hardware kit number available for “high mount” brake shoe application (see illustration on page 23) for steer axles where horse collar is not used: HK24XLSHM

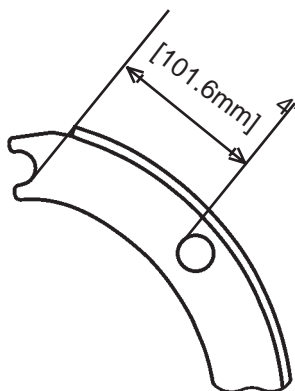
Hardware kit number available for “low mount” brake shoe application (see illustration on page 23) for steer axles where horse collar is not used : HK24XLSLM, HK24SDLM

Hardware kit number available for this brake shoe application for heavy duty steer axles where horse collar is used: HK64XLS

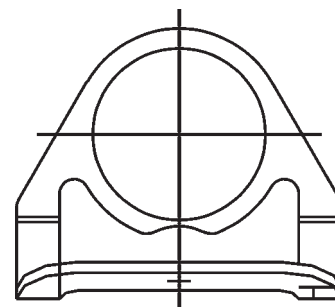
- High mount shoes and low mount shoes use different return springs.
- High mount shoes can replace low mount shoes in all applications with the appropriate hardware kits.
- Low mount shoes cannot replace high mount shoes.



High Mount Shoes



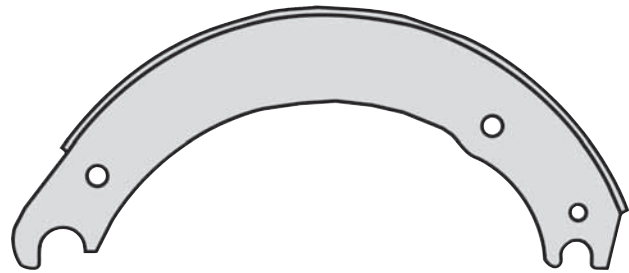
Low Mount Shoes



Horse Collar

Unlined Brake Shoe No. 4514HA

Brake Size: 16 1/2 X 6
 Rivet Size: 10-8 1/2
 Brake Type: BENDIX® HEAVY AXLE
 Interchange with:
 BENDIX OE 165WS116X



Linings	Lined Shoe Number	Replace-A-Brake Kit Number	Hardware in Replace-A-Brake Kit
Bendix Gold	4514HAGLD	SB4514HAGLD	HK95XLS
Bendix Gold	EX4514HAGLD	KT4514HAGLD	HK95XLS

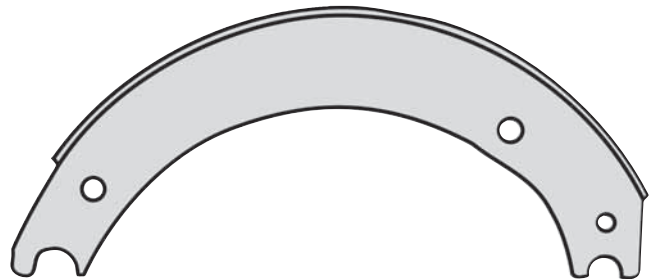
Hardware kit number available for this brake shoe application: HK95XLS

Not interchangeable with 4514 "Q"

To convert to 4514Q use anchor pin 150WJ134 or Kit 165KB156X

Unlined Brake Shoe No. 4514Q

Brake Size: 16 1/2 X 6
 Rivet Size: 10-8 1/2
 Brake Type: ROCKWELL / MERITOR Q
 Interchange with:
 ROCKWELL / MERITOR A3222C1381



Linings	Lined Shoe Number	Replace-A-Brake Kit Number	Hardware in Replace-A-Brake Kit
Bendix Bronze	4514QBRZ	SB4514QBRZ	HK80XLS
Bendix Gold	4514QGLD	SB4514QGLD	HK80XLS
Bendix Orange	4514QORG	SB4514QORG	HK80XLS
Bendix Red	4514QRED	SB4514QRED	HK80XLS
Bendix Yellow	4514QYEL	SB4514QYEL	HK80XLS
Bendix Bronze	EX4514QBRZ	KT4514QBRZ	HK80XLS
Bendix Gold	EX4514QGLD	KT4514QGLD	HK80XLS
Bendix Orange	EX4514QORG	KT4514QORG	HK80XLS
Bendix Red	EX4514QRED	KT4514QRED	HK80XLS
Bendix Yellow	EX4514QYEL	KT4514QYEL	HK80XLS

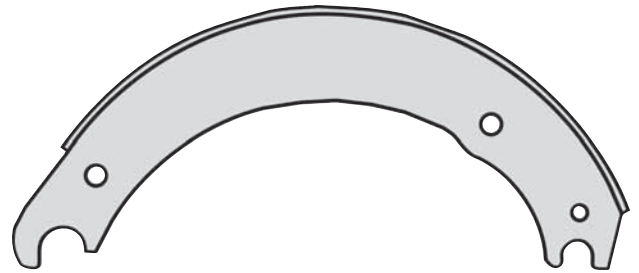
This shoe is completely interchangeable between Rockwell 'Q' and Bendix® 'FC' applications.

Hardware kit number available for this typical brake shoe application: HK80XLS

Hardware kit number available for steer axle brake shoe application where return spring must clear hub: HK74XLS

Unlined Brake Shoe No. 4515HA

Brake Size: 16 1/2 X 7
 Rivet Size: 10-8 1/2
 Brake Type: BENDIX® HEAVY AXLE
 Interchange with:
 BENDIX® OE 165WS115X



Linings	Lined Shoe Number	Replace-A-Brake Kit Number	Hardware in Replace-A-Brake Kit
Bendix Red	4515HARED	SB4515HARED	HK95XLS
Bendix Red	EX4515HARED	KT4515HARED	HK95XLS

Hardware kit number available for this brake shoe application: HK95XLS

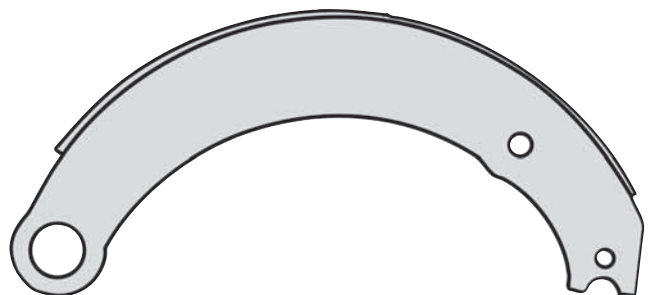
Applicable only for Fort Wayne Dana Axles

Shoe is not interchangeable with any other 4515 platform

To convert to 4515Q use anchor pin 150WJ134 A/P Kit 165KB156X

Unlined Brake Shoe No. 4515P

Brake Size: 16 1/2 X 7
 Rivet Size: 10-8 1/2
 Brake Type: ROCKWELL / MERITOR P
 BENDIX® FT
 Interchange with:
 ROCKWELL / MERITOR A3722N66
 BENDIX® OE M16WS163X



Linings	Lined Shoe Number	Replace-A-Brake Kit Number	Hardware in Replace-A-Brake Kit
Bendix Black	4515PBLK	SB4515PBLK	HK16XLS
Bendix Blue	4515PBLU	SB4515PBLU	HK16XLS
Bendix Red	4515PRED	SB4515PRED	HK16XLS
Bendix Silver	4515PSIL	SB4515PSIL	HK16
Bendix Yellow	4515PYEL	SB4515PYEL	HK16SD
Bendix Black	EX4515PBLK	KT4515PBLK	HK16XLS
Bendix Blue	EX4515PBLU	KT4515PBLU	HK16XLS
Bendix Red	EX4515PRED	KT4515PRED	HK16XLS
Bendix Silver	EX4515PSIL	KT4515PSIL	HK16XLS
Bendix Yellow	EX4515PYEL	KT4515PYEL	HK16XLS

This shoe is completely interchangeable between Rockwell 'P' and Bendix® 'FT' applications.

Hardware kit numbers available for this brake shoe application for spiders with serviceable bushings: HK14SD, HK14XLS.

Hardware kit numbers available for this brake shoe application for spiders with non-serviceable bushings: HK16, HK16SD, HK16XLS.

Unlined Brake Shoe No. 4515Q

Brake Size: 16 1/2 X 7

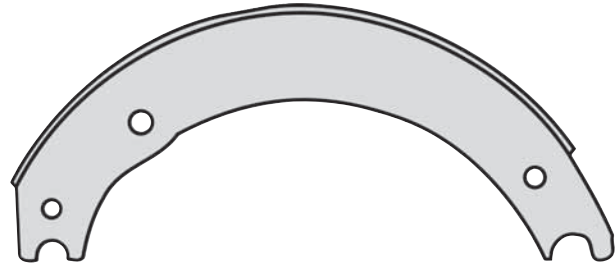
Rivet Size: 10-8 1/2

Brake Type: ROCKWELL / MERITOR Q
BENDIX® FC

Interchange with:

ROCKWELL / MERITOR A3222S1293

BENDIX® OE M16WS176X



Linings	Lined Shoe Number	Replace-A-Brake Kit Number	Hardware in Replace-A-Brake Kit
Bendix Black	4515QBLK	SB4515QBLK	HK29XLS
Bendix Blue	4515QBLU	SB4515QBLU	HK29XLS
Bendix Bronze	4515QBRZ	SB4515QBRZ	HK29SD
Bendix Gold	4515QGLD	SB4515QGLD	HK29XLS
Bendix Orange	4515QORG	SB4515QORG	HK29SD
Bendix Red	4515QRED	SB4515QRED	HK29XLS
Bendix Silver	4515QSIL	SB4515QSIL	HK29XLS
Bendix Yellow	4515QYEL	SB4515QYEL	HK29XLS
Bendix Black	EX4515QBLK	KT4515QBLK	HK29XLS
Bendix Blue	EX4515QBLU	KT4515QBLU	HK29XLS
Bendix Bronze	EX4515QBRZ	KT4515QBRZ	HK29SD
Bendix Gold	EX4515QGLD	KT4515QGLD	HK29XLS
Bendix Orange	EX4515QORG	KT4515QORG	HK29SD
Bendix Red	EX4515QRED	KT4515QRED	HK29XLS
Bendix Silver	EX4515QSIL	KT4515QSIL	HK29XLS
Bendix Yellow	EX4515QYEL	KT4515QYEL	HK29XLS

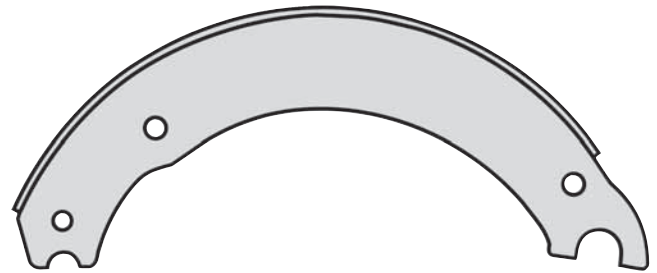
This shoe is completely interchangeable between Rockwell Q and Bendix® FC applications.

Hardware kit numbers available for this typical brake shoe application: HK29, HK29SD, HK29XLS

Hardware kit number available for Mack QM brake shoe application: HK75SD

Short kits available for this brake shoe application: HK38, HK38XLS

Unlined Brake Shoe No. 4515X3
 Brake Size: 16 1/2 X 7
 Rivet Size: 10-8 1/2
 Brake Type: FRUEHAUF XEM 3RD
 Interchange with:
 FRUEHAUF ACF003379001
 FRUEHAUF ACF003380001



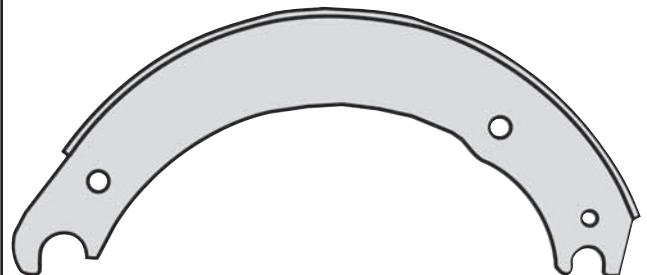
Linings	Lined Shoe Number	Replace-A-Brake Kit Number	Hardware in Replace-A-Brake Kit
Bendix Black	4515X3BLK	SB4515X3BLK	HK34XLS
Bendix Blue	4515X3BLU	SB4515X3BLU	HK34XLS
Bendix Bronze	4515X3BRZ	SB4515X3BRZ	HK34SD
Bendix Gold	4515X3GLD	SB4515X3GLD	HK34XLS
Bendix Orange	4515X3ORG	SB4515X3ORG	HK34SD
Bendix Red	4515X3RED	SB4515X3RED	HK34XLS
Bendix Silver	4515X3SIL	SB4515X3SIL	HK34XLS
Bendix Yellow	4515X3YEL	SB4515X3YEL	HK34XLS
Bendix Black	EX4515X3BLK	KT4515X3BLK	HK34XLS
Bendix Blue	EX4515X3BLU	KT4515X3BLU	HK34XLS
Bendix Bronze	EX4515X3BRZ	KT4515X3BRZ	HK34SD
Bendix Gold	EX4515X3GLD	KT4515X3GLD	HK34XLS
Bendix Orange	EX4515X3ORG	KT4515X3ORG	HK34SD
Bendix Red	EX4515X3RED	KT4515X3RED	HK34XLS
Bendix Silver	EX4515X3SIL	KT4515X3SIL	HK34XLS
Bendix Yellow	EX4515X3YEL	KT4515X3YEL	HK34XLS

Hardware kit numbers available for this typical brake shoe application: HK34SD, HK34XLS

Hardware kit number available for Fruehauf 1st generation P brake shoe application: HK17XLS

Hardware kit number available for Fruehauf X2 brake shoe application: HK31XLS

Unlined Brake Shoe No. 4524HA
 Brake Size: 16 1/2 X 5
 Rivet Size: 10-8 1/2
 Brake Type: BENDIX® HEAVY AXLE
 Interchange with:
 BENDIX® OE 165WS124X



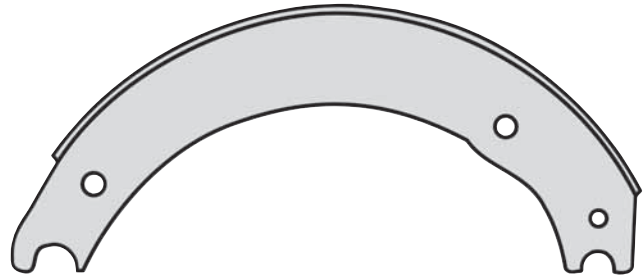
Linings	Lined Shoe Number	Replace-A-Brake Kit Number	Hardware in Replace-A-Brake Kit
Bendix Yellow	4524HAYEL	SB4524HAYEL	HK95XLS
Bendix Yellow	EX4524HAYEL	KT4524HAYEL	HK95XLS

Hardware kit number available for this brake shoe application: HK95XLS

To convert to 4524Q use anchor pin 150WT134 or Kit 165KB156X

Unlined Brake Shoe No. 4524Q

Brake Size: 16 1/2 X 5
 Rivet Size: 10-8 1/2
 Brake Type: ROCKWELL / MERITOR Q
 BENDIX® FC
 Interchange with:
 ROCKWELL / MERITOR A3222E1383
 BENDIX® OE M16WS188X



Linings	Lined Shoe Number	Replace-A-Brake Kit Number	Hardware in Replace-A-Brake Kit
Bendix Gold	4524QGLD	SB4524QGLD	HK29XLS
Bendix Orange	4524QORG	SB4524QORG	HK29SD
Bendix Red	4524QRED	SB4524QRED	HK29XLS
Bendix Yellow	4524QYEL	SB4524QYEL	HK29XLS
Bendix Gold	EX4524QGLD	KT4524QGLD	HK29XLS
Bendix Orange	EX4524QORG	KT4524QORG	HK29SD
Bendix Red	EX4524QRED	KT4524QRED	HK29XLS
Bendix Yellow	EX4524QYEL	KT4524QYEL	HK29XLS

This shoe is completely interchangeable between Rockwell 'Q' and Bendix® 'FC' applications.

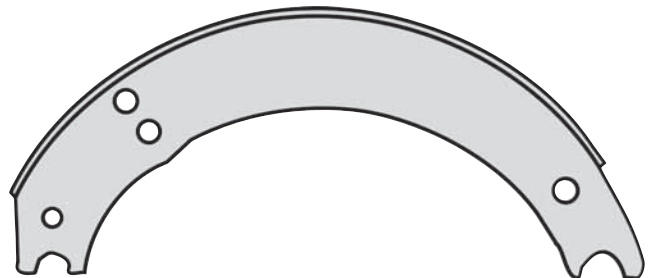
Hardware kit numbers available for this typical brake shoe application: HK29, HK29SD, HK29XLS

Hardware kit number available for steer axle brake shoe application where return spring must clear hub: HK74XLS

Short kits available for this brake shoe application: HK38, HK38XLS

Unlined Brake Shoe No. 4524QM

Brake Size: 16 1/2 X 5
 Rivet Size: 10-8 1/2
 Brake Type: ROCKWELL / MERITOR Q
 BENDIX® FC
 Interchange with:
 ROCKWELL / MERITOR A3222J1440



Linings	Lined Shoe Number	Replace-A-Brake Kit Number	Hardware in Replace-A-Brake Kit
Bendix Red	4524QMRED	SB4524QMRED	HK81XLS
Bendix Red	EX4524QMRED	KT4524QMRED	HK81XLS

This shoe designed for Mack Truck applications only.

Hardware kit number available for this brake shoe application: HK81XLS

Hardware kit number available for steer axle brake shoe application where return spring must clear hub: HK74XLS

Unlined Brake Shoe No. 4536FCII

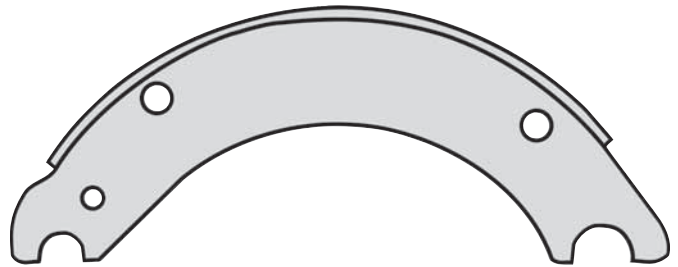
Brake Size: 12 1/4 X 5 1/2

Rivet Size: 20-8

Brake Type: BENDIX® FCII

Interchange with:

BENDIX® OE M12WS173X



Linings	Lined Shoe Number	Replace-A-Brake Kit Number	Hardware in Replace-A-Brake Kit
Bendix Red	4536FCIRED	SB4536FCIRED	HK49-150
Bendix Red	EX4536FCIRED	KT4536FCIRED	HK49-150

Hardware kit number available for this typical brake shoe application: HK49-150

Hardware kit number available for Bendix® U Brake shoe application with conventional low profile cam: HK47XLS-125

Hardware kit number available for Bendix® U Brake shoe application with high profile cam: HK47XLS-150

Hardware kit number available for Bendix® FT brake shoe application with conventional low profile cam: HK48XLS-125

Hardware kit number available for Bendix® FT brake shoe application with high profile cam: HK48XLS-150

Unlined Brake Shoe No. 4551Q

Brake Size: 16 1/2 X 8 5/8

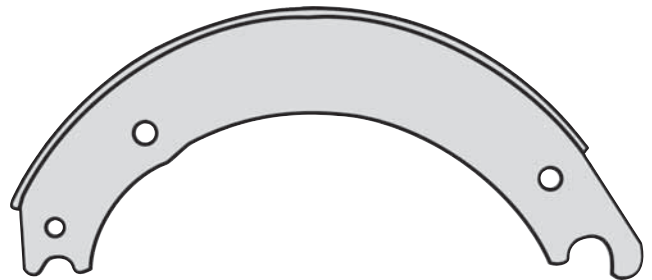
Rivet Size: 10-8 1/2

Brake Type: ROCKWELL / MERITOR Q
BENDIX® FC

Interchange with:

ROCKWELL / MERITOR A3222J1570

BENDIX® OE M16WS161X



Linings	Lined Shoe Number	Replace-A-Brake Kit Number	Hardware in Replace-A-Brake Kit
Bendix Blue	4551QBLU	SB4551QBLU	HK29XLS
Bendix Red	4551QRED	SB4551QRED	HK29XLS
Bendix Silver	4551QSIL	SB4551QSIL	HK29XLS
Bendix Blue	EX4551QBLU	KT4551QBLU	HK29XLS
Bendix Red	EX4551QRED	KT4551QRED	HK29XLS
Bendix Silver	EX4551QSIL	KT4551QSIL	HK29XLS

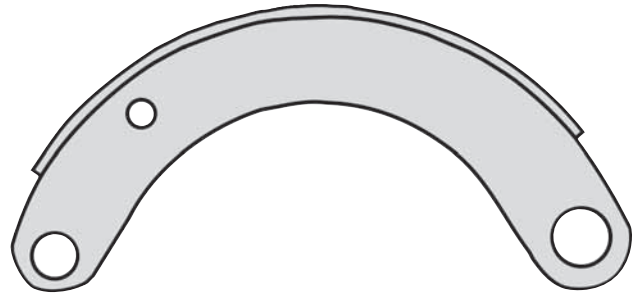
This shoe is completely interchangeable between Rockwell 'Q' and Bendix® 'FC' applications.

Hardware kit numbers available for this typical brake shoe application: HK29, HK29SD, HK29XLS

Short kits available for this brake shoe application: HK38, HK38XLS

Unlined Brake Shoe No. 4591S

Brake Size: 12 1/4 X 7 1/2
 Rivet Size: 20-8
 Brake Type: BENDIX® STD. FORGE & AXLE
 Interchange with:
 BENDIX® OE M12WS127X



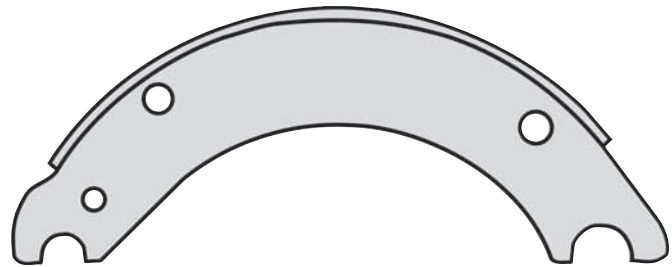
Linings	Lined Shoe Number	Replace-A-Brake Kit Number	Hardware in Replace-A-Brake Kit
Bendix Red	4591SRED	SB4591SRED	HK43XLS
Bendix Red	EX4591SRED	KT4591SRED	HK43XLS

Hardware kit number available for this typical brake shoe application: HK43XLS

Hardware kit number available for Eaton Shuler brake shoe application: HK40

Unlined Brake Shoe No. 4661FCII

Brake Size: 12 1/4 X 5
 Rivet Size: 20-8
 Brake Type: BENDIX® FCII
 Interchange with:
 BENDIX® OE M12WS172X



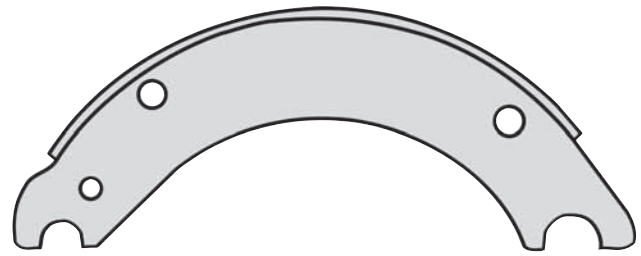
Linings	Lined Shoe Number	Replace-A-Brake Kit Number	Hardware in Replace-A-Brake Kit
Bendix Red	4661FCIRED	SB4661FCIRED	HK49-150
Bendix Red	EX4661FCIRED	KT4661FCIRED	HK49-150

Hardware kit number available for this brake shoe application: HK49-150

Not interchangeable with 4692FC

Unlined Brake Shoe No. 4692FCII

Brake Size: 12 1/4 X 7 1/2
 Rivet Size: 10-8 1/2
 Brake Type: BENDIX® FCII
 Interchange with:
 BENDIX® OE M12WS166X



Linings	Lined Shoe Number	Replace-A-Brake Kit Number	Hardware in Replace-A-Brake Kit
Bendix Black	4692FCIIBLK	SB4692FCIIBLK	HK49-150
Bendix Gold	4692FCIIGLD	SB4692FCIIGLD	HK49-150
Bendix Red	4692FCIIRED	SB4692FCIIRED	HK49-150
Bendix Black	EX4692FCIIBLK	KT4692FCIIBLK	HK49-150
Bendix Gold	EX4692FCIIGLD	KT4692FCIIGLD	HK49-150
Bendix Red	EX4692FCIIRED	KT4692FCIIRED	HK49-150

Hardware kit number available for this typical brake shoe application: HK49-150

Hardware kit number available for Bendix® U Brake shoe application with conventional low profile cam: HK47XLS-125

Hardware kit number available for Bendix® U Brake shoe application with high profile cam: HK47XLS-150

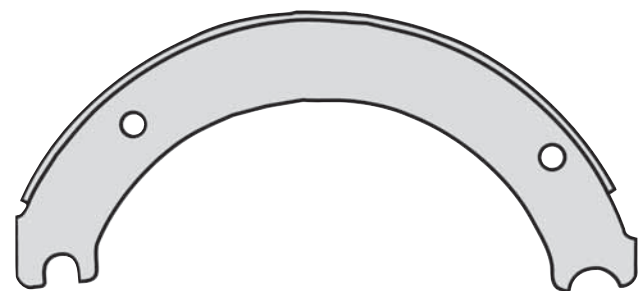
Hardware kit number available for Bendix® FT (1st Generation FC shoe) brake shoe application with conventional low profile cam: HK48XLS-125

Hardware kit number available for Bendix® FT (1st Generation FC shoe) brake shoe application with high profile cam: HK48XLS-150

Hardware kit available for DEXTER PQ brake shoe application: HK58XLS

Unlined Brake Shoe No. 4693HA

Brake Size: 15 X 4
 Rivet Size: 10-8 1/2
 Brake Type: BENDIX® HEAVY AXLE
 Interchange with:
 BENDIX® OE 150WS120X

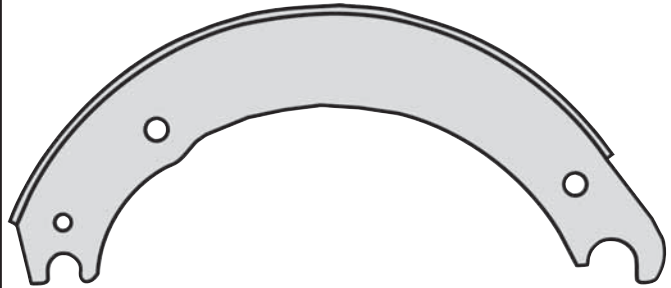


Linings	Lined Shoe Number	Replace-A-Brake Kit Number	Hardware in Replace-A-Brake Kit
Bendix Red	4693HARED	SB4693HARED	HK95XLS
Bendix Red	EX4693HARED	KT4693HARED	HK95XLS

Hardware kit number available for this brake shoe application: HK95XLS

Unlined Brake Shoe No. 4701HA

Brake Size: 16 1/2 X 7
 Rivet Size: 10-8 1/2
 Brake Type: BENDIX® HEAVY AXLE
 Interchange with:
 BENDIX® OE 165WS164X

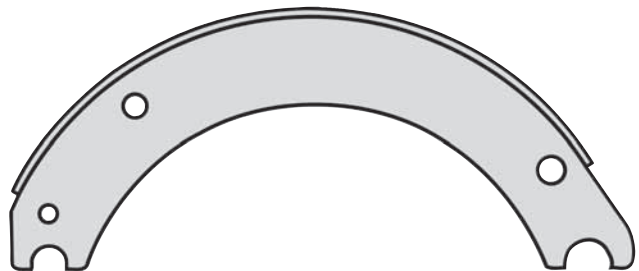


Linings	Lined Shoe Number	Replace-A-Brake Kit Number	Hardware in Replace-A-Brake Kit
Bendix Yellow	4701HAYEL	SB4701HAYEL	HK96XLS
Bendix Yellow	EX4701HAYEL	KT4701HAYEL	HK96XLS

Hardware kit number available for this brake shoe application: HK96XLS

Unlined Brake Shoe No. 4702R

Brake Size: 15 X 4
 Rivet Size: 10-8 1/2
 Brake Type: ROCKWELL / MERITOR
 Q PLUS
 BENDIX® XTRALIFE II
 Interchange with:
 ROCKWELL / MERITOR A3222M2223
 BENDIX® OE 150WU134X



Linings	Lined Shoe Number	Replace-A-Brake Kit Number	Hardware in Replace-A-Brake Kit
Bendix Black	4702RBLK	SB4702RBLK	HK29XLS
Bendix ES 420	4702R420	SB4702R420	HK29XLS
Bendix ES 600	4702R600	SB4702R600	HK29XLS
Bendix Gold	4702RGLD	SB4702RGLD	HK29XLS
Bendix Gold	4702RGLD	SB4702RGLD-BUS	HK29SB
Bendix Red	4702RRED	SB4702RRED	HK29XLS
Bendix Black	EX4702RBLK	KT4702RBLK	HK29XLS
Bendix ES 420	EX4702R420	KT4702R420	HK29XLS
Bendix ES 600	EX4702R600	KT4702R600	HK29XLS
Bendix Gold	EX4702RGLD	KT4702RGLD	HK29XLS
Bendix Gold	EX4702RGLD	KT4702RGLD-BUS	HK29SB
Bendix Red	EX4702RRED	KT4702RRED	HK29XLS

This shoe is completely interchangeable between Rockwell 'Q Plus' and Bendix® 'XtraLife II' applications.

Hardware kit numbers available for this brake shoe application: HK29, HK29SD, HK29XLS

Kit numbers containing a -BUS suffix designates kits designed specifically for school bus applications

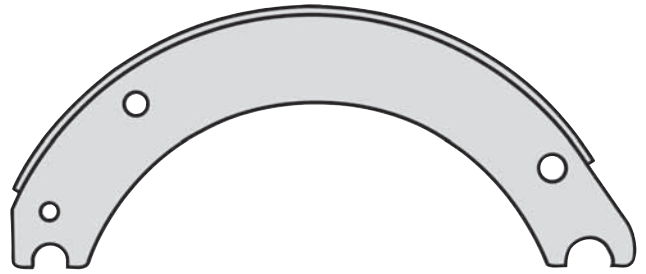
Unlined Brake Shoe No. 4703R

Brake Size: 15 X 5

Rivet Size: 10-8 1/2

Brake Type: ROCKWELL / MERITOR
Q PLUS

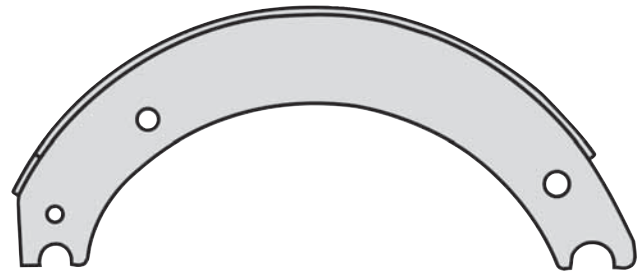
Interchange with:
ROCKWELL / MERITOR A3222D2110



Linings	Lined Shoe Number	Replace-A-Brake Kit Number	Hardware in Replace-A-Brake Kit
Bendix Black	4703RBLK	SB4703RBLK	HK29XLS
Bendix Gold	4703RGLD	SB4703RGLD	HK29XLS
Bendix Black	EX4703RBLK	KT4703RBLK	HK29XLS
Bendix Gold	EX4703RGLD	KT4703RGLD	HK29XLS

Hardware kit numbers available for this brake shoe application: HK29, HK29SD, HK29XLS

Unlined Brake Shoe No. 4707R
 Brake Size: 16 1/2 X 7
 Rivet Size: 10-8 1/2
 Brake Type: ROCKWELL / MERITOR
 Q PLUS
 BENDIX® XTRALIFE II
 Interchange with:
 ROCKWELL / MERITOR A3222D2006
 BENDIX® OE M16WS193X



Linings	Lined Shoe Number	Replace-A-Brake Kit Number	Hardware in Replace-A-Brake Kit
Bendix Black	4707RBLK	SB4707RBLK	HK29XLS
Bendix ES 420	4707R420	SB4707R420	HK29XLS
Bendix ES 450	4707R450	SB4707R450	HK29XLS
Bendix ES 600	4707R600	SB4707R600	HK29XLS
Bendix Blue	4707RBLU	SB4707RBLU	HK29XLS
Bendix Bronze	4707RBRZ	SB4707RBRZ	HK29SD
Bendix Gold	4707RGLD	SB4707RGLD	HK29XLS
Bendix Gold	4707RGLD	SB4707RGLD-BUS	HK29SB
Bendix Orange	4707RORG	SB4707RORG	HK29SD
Bendix Red	4707RRED	SB4707RRED	HK29XLS
Bendix Silver	4707RSIL	SB4707RSIL	HK29XLS
Bendix Yellow	4707RYEL	SB4707RYEL	HK29XLS
Bendix Black	EX4707RBLK	KT4707RBLK	HK29XLS
Bendix ES 420	EX4707R420	KT4707R420	HK29XLS
Bendix ES 450	EX4707R450	KT4707R450	HK29XLS
Bendix ES 600	EX4707R600	KT4707R600	HK29XLS
Bendix Blue	EX4707RBLU	KT4707RBLU	HK29XLS
Bendix Bronze	EX4707RBRZ	KT4707RBRZ	HK29SD
Bendix Gold	EX4707RGLD	KT4707RGLD	HK29XLS
Bendix Gold	EX4707RGLD	KT4707RGLD-BUS	HK29SB
Bendix Orange	EX4707RORG	KT4707RORG	HK29SD
Bendix Red	EX4707RRED	KT4707RRED	HK29XLS
Bendix Silver	EX4707RSIL	KT4707RSIL	HK29XLS
Bendix Yellow	EX4707RYEL	KT4707RYEL	HK29XLS

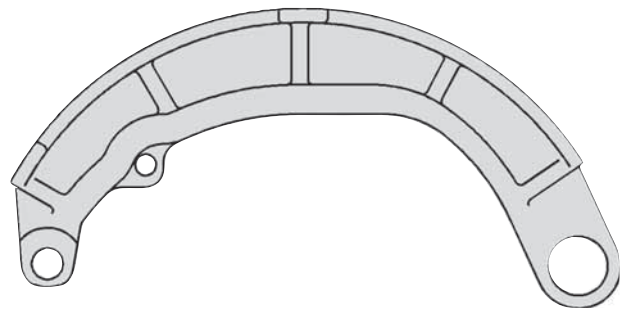
This shoe is completely interchangeable between Rockwell ‘Q Plus’ and Bendix® ‘XtraLife II’ applications.

Hardware kit numbers available for this brake shoe application: HK29, HK29SD, HK29XLS

Short kits available for this brake shoe application: HK38, HK38XLS

Kit numbers containing a -BUS suffix designates kits designed specifically for school bus applications

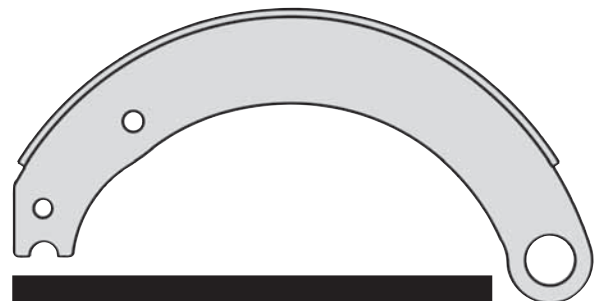
Unlined Brake Shoe No. 4708H
 Brake Size: 16 1/2 X 7
 Rivet Size: 1/4 bolt
 Brake Type: BENDIX® CAST
 Interchange with:
 BENDIX 810517
 BENDIX 810214



Linings	Lined Shoe Number	Replace-A-Brake Kit Number	Hardware in Replace-A-Brake Kit
Bendix ES 1100	4708H1100	SB4708H1100	HK72

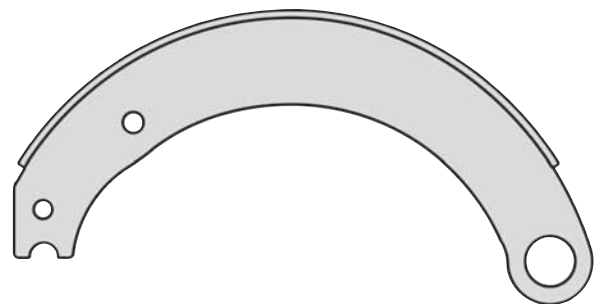
Hardware kit number available for this brake shoe application: HK72

Unlined Brake Shoe No. 4708M
 Brake Size: 16 1/2 X 7
 Rivet Size: 10-8 1/2
 Brake Type: BENDIX® SEVERE DUTY
 Interchange with:
 BENDIX 807849
 BENDIX 819722



**No longer available
superseded by 4708P**

Unlined Brake Shoe No. 4708P
 Brake Size: 16 1/2 X 7
 Rivet Size: 10-8 1/2
 Brake Type: BENDIX® ESII FOR
 ROCKWELL "P"
 Interchange with:
 BENDIX 807849
 BENDIX 819722



Linings	Lined Shoe Number	Replace-A-Brake Kit Number	Hardware in Replace-A-Brake Kit
Bendix 420	4708P420	SB4708P420	HK69XLS
Bendix 600	4708P600	SB4708P600	HK69XLS
Bendix 420	EX4708P420	KT4708P420	HK69XLS
Bendix 600	EX4708P600	KT4708P600	HK69XLS

Hardware kit number available for this brake shoe application: HK69XLS

Unlined Brake Shoe No. 4708Q

Brake Size: 16 1/2 X 7

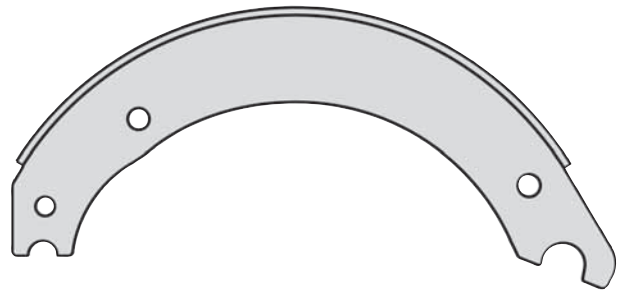
Rivet Size: 10-8 1/2

Brake Type: BENDIX® ESII FOR
ROCKWELL “Q”

Interchange with:

BENDIX 819721

ROCKWELL / MERITOR R4708R



Linings	Lined Shoe Number	Replace-A-Brake Kit Number	Hardware in Replace-A-Brake Kit
Bendix ES 420	4708Q420	SB4708Q420	HK67XLS
Bendix ES 600	4708Q600	SB4708Q600	HK67XLS
Bendix ES 420	EX4708Q420	KT4708Q420	HK67XLS
Bendix ES 600	EX4708Q600	KT4708Q600	HK67XLS

Hardware kit numbers available for this brake shoe application: HK67SD, HK67XLS

Unlined Brake Shoe No. 4708XEM

Brake Size: 16 1/2 X 7

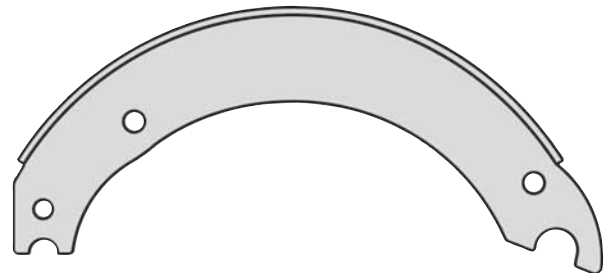
Rivet Size: 10-8 1/2

Brake Type: BENDIX® ESII FOR
FRUEHAUF “XEM”

Interchange with:

BENDIX 819723

ROCKWELL / MERITOR R4708F



Linings	Lined Shoe Number	Replace-A-Brake Kit Number	Hardware in Replace-A-Brake Kit
Bendix ES 420	4708XEM420	SB4708XEM420	HK65SD
Bendix ES 600	4708XEM600	SB4708XEM600	HK65SD
Bendix ES 420	EX4708XEM420	KT4708XEM420	HK65SD
Bendix ES 600	EX4708XEM600	KT4708XEM600	HK65SD

Hardware kit number available for this brake shoe application: HK65SD

Unlined Brake Shoe No. 4709EII

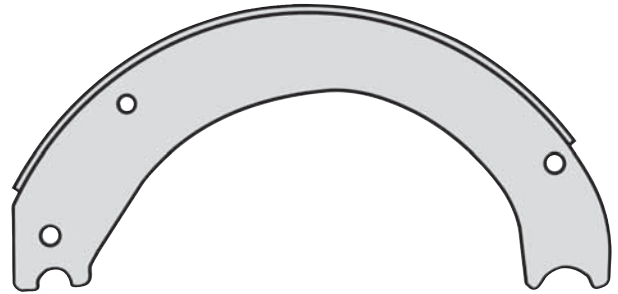
Brake Size: 16 1/2 X 7

Rivet Size: 10-8 1/2

Brake Type: BENDIX® ESII

Interchange with:

BENDIX 819707



Linings	Lined Shoe Number	Replace-A-Brake Kit Number	Hardware in Replace-A-Brake Kit
Bendix Black	4709EII BLK	SB4709EII BLK	HK61XLS
Bendix ES 1100	4709EII1100	SB4709EII1100	HK61SD
Bendix ES 1160	4709EII1160	SB4709EII1160	HK61SD
Bendix ES 420	4709EII420	SB4709EII420	HK61XLS
Bendix ES 450	4709EII450	SB4709EII450	HK61XLS
Bendix ES 600	4709EII600	SB4709EII600	HK61XLS
Bendix Blue	4709EII BLU	SB4709EII BLU	HK61XLS
Bendix Gold	4709EII GLD	SB4709EII GLD	HK61XLS
Bendix Gold	4709EII GLD	SB4709EII GLD-BUS	HK61SB
Bendix Red	4709EII RED	SB4709EII RED	HK61XLS
Bendix Silver	4709EII SIL	SB4709EII SIL	HK61XLS
Bendix Yellow	4709EII YEL	SB4709EII YEL	HK61XLS
Bendix Black	EX4709EII BLK	KT4709E BLK	HK61XLS
Bendix ES 1100	EX4709EII1100	KT4709EII1100	HK61SD
Bendix ES 1160	EX4709EII1160	KT4709EII1160	HK61SD
Bendix ES 420	EX4709EII420	KT4709EII420	HK61XLS
Bendix ES 450	EX4709EII450	KT4709EII450	HK61XLS
Bendix ES 600	EX4709EII600	KT4709EII600	HK61XLS
Bendix Blue	EX4709EII BLU	KT4709EII BLU	HK61XLS
Bendix Gold	EX4709EII GLD	KT4709EII GLD	HK61XLS
Bendix Gold	EX4709EII GLD	KT4709EII GLD-BUS	HK61SB
Bendix Orange	EX4709EII ORG	KT4709EII ORG	HK61SD
Bendix Red	EX4709EII RED	KT4709EII RED	HK61XLS
Bendix Silver	EX4709EII SIL	KT4709EII SIL	HK61XLS
Bendix Yellow	EX4709EII YEL	KT4709EII YEL	HK61XLS

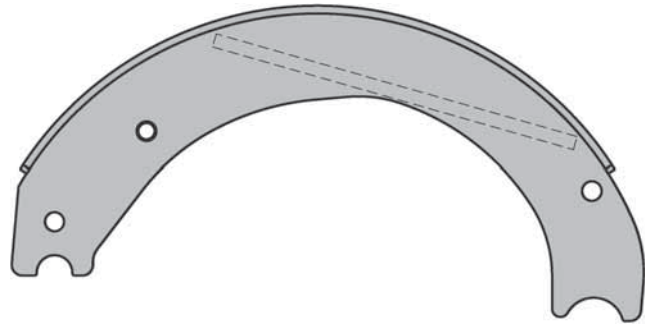
Hardware kit numbers available for this typical brake shoe application: HK61, HK61SD, HK61XLS

Hardware Kit numbers available for welded ES brake shoe application: HK63, HK63SD, HK63XLS

Kit numbers containing a -BUS suffix designates kits designed specifically for school bus applications

Unlined Brake Shoe No. 4709SII

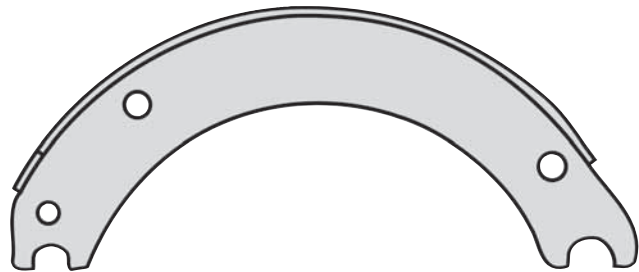
Brake Size: 10 X 8 1/2
 Rivet Size: 10-8 1/2
 Brake Type: BENDIX® SEVERE DUTY
 BENDIX® ESII
 Interchange with: BENDIX 974050



Linings	Lined Shoe Number	Replace-A-Brake Kit Number	Hardware in Replace-A-Brake Kit
Bendix ES 1100	4709SII1100	SB4709SII1100	HK61SD
Bendix ES 1100	EX4709SII1100	KT4709SII1100	HK61SD

Unlined Brake Shoe No. 4710R

Brake Size: 15 X 8 5/8
 Rivet Size: 10-8 1/2
 Brake Type: ROCKWELL / MERITOR
 Q PLUS
 BENDIX® XTRALIFE II
 Interchange with:
 ROCKWELL / MERITOR A3222A2159
 BENDIX® OE M15WS103-X

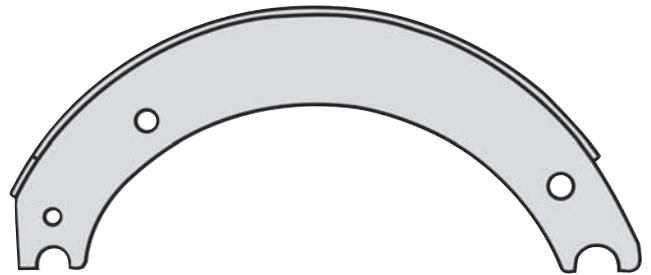


Linings	Lined Shoe Number	Replace-A-Brake Kit Number	Hardware in Replace-A-Brake Kit
Bendix ES 310	4710R310	SB4710R310	HK29XLS
Bendix ES 310	EX4710R310	KT4710R310	HK29XLS

This shoe is completely interchangeable between Rockwell 'Q Plus' and Bendix® 'XtraLife II' applications.

Hardware kit number available for this typical brake shoe application: HK29, HK29SD, HK29XLS

Unlined Brake Shoe No. 4711R
 Brake Size: 16 1/2 X 8 5/8
 Rivet Size: 10-8 1/2
 Brake Type: ROCKWELL / MERITOR
 Q PLUS
 BENDIX® XTRALIFE II
 Interchange with:
 ROCKWELL / MERITOR A3222K2169

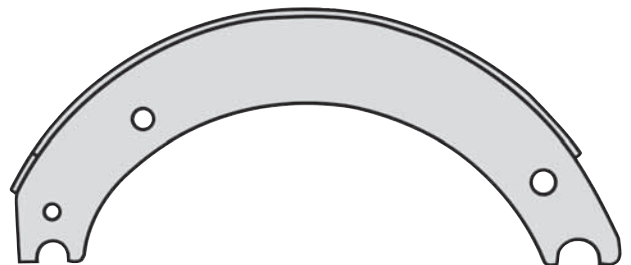


Linings	Lined Shoe Number	Replace-A-Brake Kit Number	Hardware in Replace-A-Brake Kit
Bendix ES 420	4711R420	SB4711R420	HK29XLS
Bendix ES 600	4711R600	SB4711R600	HK29XLS
Bendix ES 420	EX4711R420	KT4711R420	HK29XLS
Bendix ES 600	EX4711R600	KT4711R600	HK29XLS

Hardware kit numbers available for this typical brake shoe application: HK29, HK29SD, HK29XLS

Short kits available for this brake shoe application: HK38, HK38XLS

Unlined Brake Shoe No. 4715R
 Brake Size: 16 1/2 X 6
 Rivet Size: 10-8 1/2
 Brake Type: ROCKWELL / MERITOR
 Q PLUS
 Interchange with:
 ROCKWELL / MERITOR A3222P2200



Linings	Lined Shoe Number	Replace-A-Brake Kit Number	Hardware in Replace-A-Brake Kit
Bendix ES 600	4715R600	SB4715R600	HK74XLS
Bendix Gold	4715RGLD	SB4715RGLD	HK74XLS
Bendix ES 600	EX4715R600	KT4715R600	HK74XLS
Bendix Gold	EX4715RGLD	KT4715RGLD	HK74XLS

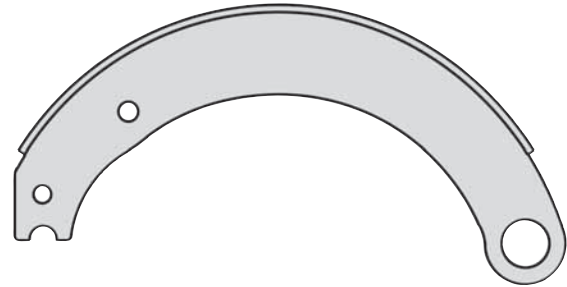
Hardware kit numbers available for this typical brake shoe application: HK29, HK29SD, HK29XLS

Hardware kit number available for steer axle brake application where return spring must clear hub: HK74XLS

Short kits available for this brake shoe application: HK38, HK38XLS

Unlined Brake Shoe No. 4716EII

Brake Size: 15 X 6
 Rivet Size: 10-8 1/2
 Brake Type: BENDIX® REDUCED
 ENVELOPE
 Interchange with: BENDIX 819716

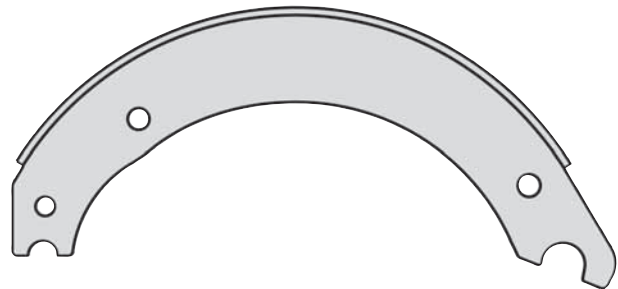


Linings	Lined Shoe Number	Replace-A-Brake Kit Number	Hardware in Replace-A-Brake Kit
Bendix ES 310	4716EII310	SB4716EII310	HK90XLS
Bendix ES 310	EX4716EII310	KT4716EII310	HK90XLS

Hardware kit number available for this typical brake shoe application: HK90XLS

Unlined Brake Shoe No. 4717EII

Brake Size: 15 X 8 5/8
 Rivet Size:
 Brake Type: BENDIX® REDUCED
 ENVELOPE
 Interchange with: BENDIX 819718

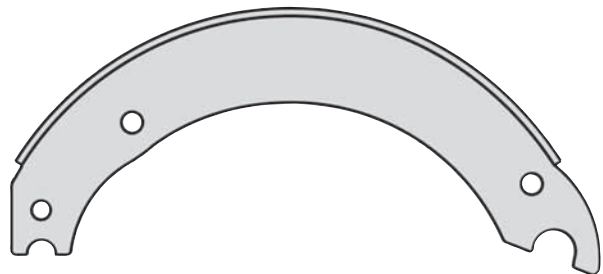


Linings	Lined Shoe Number	Replace-A-Brake Kit Number	Hardware in Replace-A-Brake Kit
Bendix ES 310	4717EII310	SB4717EII310	HK91XLS
Bendix ES 310	EX4717EII310	KT4717EII310	HK91XLS

Hardware kit number available for this typical brake shoe application: HK91XLS

Unlined Brake Shoe No. 4718R

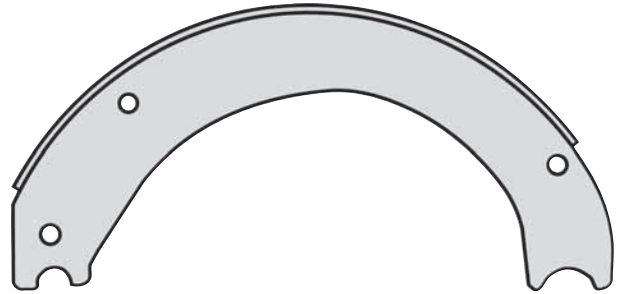
Brake Size: 16 1/2 X 8
 Rivet Size:
 Brake Type: ROCKWELL / MERITOR
 Q PLUS
 Interchange with:
 A-3222-5-2272



Linings	Lined Shoe Number	Replace-A-Brake Kit Number	Hardware in Replace-A-Brake Kit
Bendix Black	4718RBLK	SB4718RBLK	HK29XLS
Bendix Red	4718RRED	SB4718RRED	HK29XLS
Bendix Silver	4718RSIL	SB4718RSIL	HK29XLS
Bendix Black	EX4718RBLK	KT4718RBLK	HK29XLS
Bendix Red	EX4718RRED	KT4718RRED	HK29XLS
Bendix Silver	EX4718RSIL	KT4718RSIL	HK29XLS

Unlined Brake Shoe No. 4719EII

Brake Size: 16 1/2 X 5
 Rivet Size: 10-8 1/2
 Brake Type: BENDIX® ESII
 Interchange with:
 BENDIX 819705



Linings	Lined Shoe Number	Replace-A-Brake Kit Number	Hardware in Replace-A-Brake Kit
Bendix ES 1160	4719EII1160	SB4719EII1160	HK61SD
Bendix ES 1160	4719EII1160	SB4719EII1160HC	HK62SD
Bendix ES 420	4719EII420	SB4719EII420	HK61XLS
Bendix ES 420	4719EII420	SB4719EII420HC	HK62XLS
Bendix ES 450	4719EII450	SB4719EII450	HK61XLS
Bendix ES 450	4719EII450	SB4719EII450HC	HK62XLS
Bendix ES 600	4719EII600	SB4719EII600	HK61XLS
Bendix ES 600	4719EII600	SB4719EII600HC	HK62XLS
Bendix Gold	4719EIIIGLD	SB4719EIIIGLD	HK61XLS
Bendix Gold	4719EIIIGLD	SB4719EIIIGLD-BUS	HK62SB
Bendix Gold	4719EIIIGLD	SB4719EIIIGLDHC	HK62XLS
Bendix Orange	4719EIIORG	SB4719EIIORG	HK61SD
Bendix ES 1160	EX4719EII1160	KT4719EII1160	HK61SD
Bendix ES 1160	EX4719EII1160	KT4719EII1160HC	HK62SD
Bendix ES 420	EX4719EII420	KT4719EII420	HK61XLS
Bendix ES 420	EX4719EII420	KT4719EII420HC	HK62XLS
Bendix ES 450	EX4719EII450	KT4719EII450	HK61XLS
Bendix ES 450	EX4719EII450	KT4719EII450HC	HK62XLS
Bendix ES 600	EX4719EII600	KT4719EII600	HK61XLS
Bendix ES 600	EX4719EII600	KT4719EII600HC	HK62XLS
Bendix Gold	EX4719EIIIGLD	KT4719EIIIGLD	HK61XLS
Bendix Gold	EX4719EIIIGLD	KT4719EIIIGLDHC	HK62XLS
Bendix Gold	EX4719EIIIGLD	KT4719EIIIGLD-BUS	HK62SB
Bendix Orange	EX4719EIIORG	KT4719EIIORG	HK61SD

Hardware kit numbers available for this typical brake shoe application: HK61, HK61SD, HK61XLS
 Hardware kit numbers available for welded ES brake shoe application: HK63, HK63SD, HK63XLS
 Hardware kit numbers available for horse collar brake shoe application: HK62, HK62SD, HK62XLS
 Kit numbers containing a -BUS suffix designates kits designed specifically for school bus applications

Unlined Brake Shoe No. 4720R

Brake Size: 16 1/2 X 5

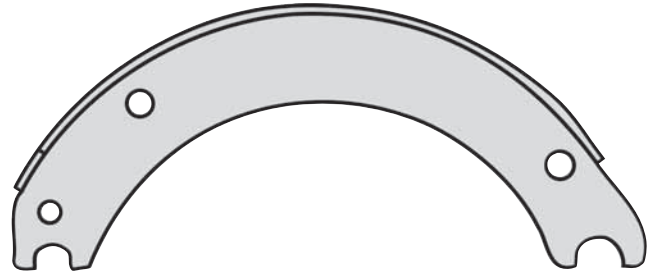
Rivet Size: 10-8 1/2

Brake Type: **ROCKWELL / MERITOR
Q PLUS
BENDIX® XTRALIFE II**

Interchange with:

BENDIX® OE 165WU124X

MERITOR A3222Z2288



Linings	Lined Shoe Number	Replace-A-Brake Kit Number	Hardware in Replace-A-Brake Kit
Bendix ES 1160	4720R1160	SB4720R1160	HK74XLS
Bendix ES 420	4720R420	SB4720R420	HK74XLS
Bendix ES 450	4720R450	SB4720R450	HK74XLS
Bendix ES 600	4720R600	SB4720R600	HK74XLS
Bendix Gold	4720RGLD	SB4720RGLD	HK74XLS
Bendix Orange	4720RORG	SB4720RORG	HK74XLS
Bendix ES 1160	EX4720R1160	KT4720R1160	HK74XLS
Bendix ES 420	EX4720R420	KT4720R420	HK74XLS
Bendix ES 450	EX4720R450	KT4720R450	HK74XLS
Bendix ES 600	EX4720R600	KT4720R600	HK74XLS
Bendix Gold	EX4720RGLD	KT4720RGLD	HK74XLS
Bendix Orange	EX4720RORG	KT4720RORG	HK74XLS

Hardware kit number available for this typical brake shoe application: HK74XLS

Hardware kit numbers available for trailer axle brake shoe application: HK29, HK29SD, HK29XLS

Short kits available for this brake shoe application: HK38, HK38XLS

Unlined Brake Shoe No. 4725EII

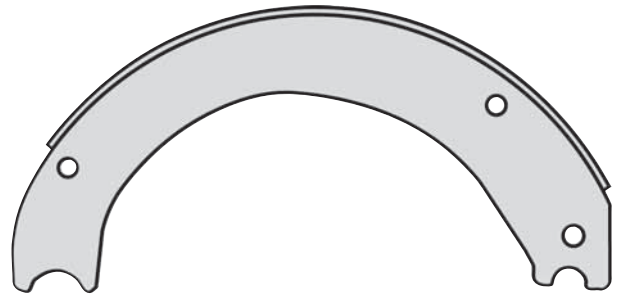
Brake Size: 16 1/2 X 6

Rivet Size: 10-8 1/2

Brake Type: BENDIX® ESII

Interchange with:

BENDIX 819706



Linings	Lined Shoe Number	Replace-A-Brake Kit Number	Hardware in Replace-A-Brake Kit
Bendix ES 1160	4725EII1160	SB4725EII1160	HK61SD
Bendix ES 1160	4725EII1160	SB4725EII1160HC	HK62SD
Bendix ES 420	4725EII420	SB4725EII420	HK61XLS
Bendix ES 420	4725EII420	SB4725EII420HC	HK62XLS
Bendix ES 600	4725EII600	SB4725EII600	HK61XLS
Bendix ES 600	4725EII600	SB4725EII600HC	HK62XLS
Bendix Gold	4725EIIIGLD	SB4725EIIIGLD	HK61XLS
Bendix Gold	4725EIIIGLD	SB4725EIIIGLDHC	HK62XLS
Bendix Gold	4725EIIIGLD	SB4725EIIIGLD-BUS	HK62SB
Bendix Orange	4725EIIORG	SB4725EIIORG	HK62XLS
Bendix ES 1160	EX4725EII1160	KT4725EII1160	HK61SD
Bendix ES 1160	EX4725EII1160	KT4725EII1160HC	HK62SD
Bendix ES 420	EX4725EII420	KT4725EII420	HK61XLS
Bendix ES 420	EX4725EII420	KT4725EII420HC	HK62XLS
Bendix ES 600	EX4725EII600	KT4725EII600	HK61XLS
Bendix ES 600	EX4725EII600	KT4725EII600HC	HK62XLS
Bendix Gold	EX4725EIIIGLD	KT4725EIIIGLD	HK61XLS
Bendix Gold	EX4725EIIIGLD	KT4725EIIIGLDHC	HK62XLS
Bendix Gold	EX4725EIIIGLD	KT4725EIIIGLD-BUS	HK62SB
Bendix Orange	EX4725EIIORG	KT4725EIIORG	HK61XLS

Hardware kit numbers available for this typical brake shoe application: HK61, HK61SD, HK61XLS

Hardware kit numbers available for welded ES brake shoe application: HK63, HK63SD, HK63XLS

Hardware kit numbers available for the horse collar brake shoe application: HK62, HK62SD, HK62XLS

Kit numbers containing a -BUS suffix designates kits designed specifically for school bus applications

Unlined Brake Shoe No. 4726EII

Brake Size: 16 1/2 X 8 5/8

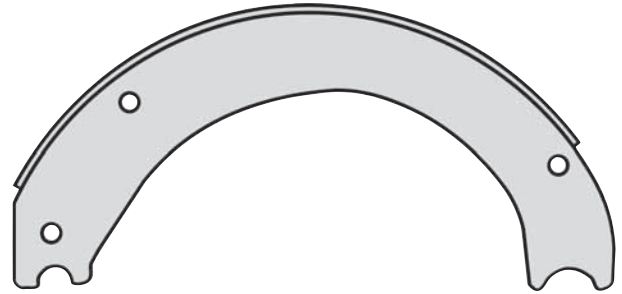
Rivet Size: 10-8 1/2

Brake Type: BENDIX® ESII

Interchange with:

BENDIX 819708

BENDIX 974051



Linings	Lined Shoe Number	Replace-A-Brake Kit Number	Hardware in Replace-A-Brake Kit
Bendix ES 420	4726EII420	SB4726EII420	HK61XLS
Bendix ES 450	4726EII450	SB4726EII450	HK61XLS
Bendix ES 600	4726EII600	SB4726EII600	HK61XLS
Bendix Gold	4726EIIGLD	SB4726EIIGLD	HK61XLS
Bendix Gold	4726EIIGLD	SB4726EIIGLD-BUS	HK61SB
Bendix ES 420	EX4726EII420	KT4726EII420	HK61XLS
Bendix ES 450	EX4726EII450	KT4726EII450	HK61XLS
Bendix ES 600	EX4726EII600	KT4726EII600	HK61XLS
Bendix Gold	EX4726EIIGLD	KT4726EIIGLD	HK61XLS
Bendix Gold	EX4726EIIGLD	KT4726EIIGLD-BUS	HK61SB

Hardware kit numbers available for this brake shoe application: HK61, HK61SD, HK61XLS

Kit numbers containing a -BUS suffix designates kits designed specifically for school bus applications

Unlined Brake Shoe No. 4729EII

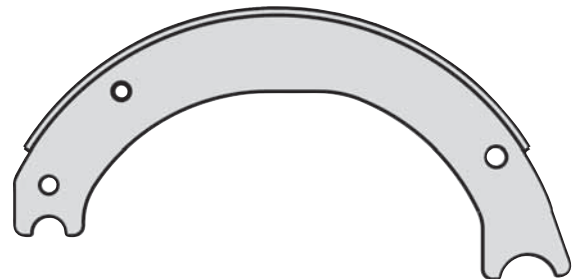
Brake Size: 15 X 4

Rivet Size:

Brake Type: BENDIX® ESII

Interchange with:

BENDIX 974584



Linings	Lined Shoe Number	Replace-A-Brake Kit Number	Hardware in Replace-A-Brake Kit
Bendix Black	4729EIIBLK	SB4729EIIBLK	HK97XLS
Bendix ES 420	4729EII420	SB4729EII420	HK97XLS
Bendix ES 450	4729EII450	SB4729EII450	HK97XLS
Bendix ES 600	4729EII600	SB4729EII600	HK97XLS
Bendix Gold	4729EIIGLD	SB4729EIIGLD	HK97XLS
Bendix Red	4729EIIRED	SB4729EIIRED	HK97XLS
Bendix Black	EX4729EIIBLK	KT4729EIIBLK	HK97XLS
Bendix ES 420	EX4729EII420	KT4729EII420	HK97XLS
Bendix ES 450	EX4729EII450	KT4729EII450	HK97XLS
Bendix ES 600	EX4729EII600	KT4729EII600	HK97XLS
Bendix Gold	EX4729EIIGLD	KT4729EIIGLD	HK97XLS
Bendix Red	EX4729EIIRED	KT4729EIIRED	HK97XLS

Hardware kit number available for this brake shoe application: HK97XLS

BRAKE HARDWARE KIT QUICK REFERENCE



Brake Shoe Number	Brake Shoe Size	Hardware Kit Number	Brake Shoe Number	Brake Shoe Size	Hardware Kit Number
1307Q	15 X 3 ¹ / ₂	HK55	4514Q	16 ¹ / ₂ X 6	HK80XLS
1307Q	15 X 3 ¹ / ₂	HK77	4514Q	16 ¹ / ₂ X 6	HK81XLS
1307T	15 X 3 ¹ / ₂	HK50	4515E	16 ¹ / ₂ X 7	HK71
1307T	15 X 3 ¹ / ₂	HK51	4515F	16 ¹ / ₂ X 7	HK17XLS
1308A	15 X 4	HK53	4515FP	16 ¹ / ₂ X 7	HK17XLS
1308E	15 X 4	HK54	4515HA	16 ¹ / ₂ X 7	HK95XLS
1308Q	15 X 4	HK55	4515M	16 ¹ / ₂ X 7	HK75SD
1308Q	15 X 4	HK77	4515P	16 ¹ / ₂ X 7	HK14SD
1308T	15 X 4	HK50	4515P	16 ¹ / ₂ X 7	HK14XLS
1308T	15 X 4	HK51	4515P	16 ¹ / ₂ X 7	HK16
1443E	15 X 4	HK54	4515Q	16 ¹ / ₂ X 7	HK29
235-1245A	15 X 3	HK56	4515Q	16 ¹ / ₂ X 7	HK38
380-4596	15 X 6	HK60	4515X2	16 ¹ / ₂ X 7	HK31XLS
382-4597	15 X 7	HK60	4515X3	16 ¹ / ₂ X 7	HK34SD
4223E	16 ¹ / ₂ X 5	HK24SDLM	4515X3	16 ¹ / ₂ X 7	HK34XLS
4223E	16 ¹ / ₂ X 5	HK24XLSHM	4524HA	16 ¹ / ₂ X 5	HK95XLS
4223E	16 ¹ / ₂ X 5	HK24XLSLM	4524P	16 ¹ / ₂ X 5	HK14SD
4223E	16 ¹ / ₂ X 5	HK64XLS	4524P	16 ¹ / ₂ X 5	HK14XLS
4227G	14 ¹ / ₂ X 4	HK87	4524P	16 ¹ / ₂ X 5	HK16
4228B	14 ¹ / ₂ X 6	HK87	4524Q	16 ¹ / ₂ X 5	HK29
4284	18 X 7	HK27	4524Q	16 ¹ / ₂ X 5	HK38
4311E	16 ¹ / ₂ X 7	HK24SDLM	4524Q	16 ¹ / ₂ X 5	HK74XLS
4311E	16 ¹ / ₂ X 7	HK24XLSHM	4524Q	16 ¹ / ₂ X 5	HK80XLS
4311E	16 ¹ / ₂ X 7	HK24XLSLM	4524QM	16 ¹ / ₂ X 5	HK81XLS
4317E	16 ¹ / ₂ X 6	HK24SDLM	4527B	18 X 7	HK26
4317E	16 ¹ / ₂ X 6	HK24XLSHM	4536B	12 ¹ / ₄ X 5 ¹ / ₂	HK43XLS
4317E	16 ¹ / ₂ X 6	HK24XLSLM	4536E	12 ¹ / ₄ X 5 ¹ / ₂	HK47XLS-125
4317E	16 ¹ / ₂ X 6	HK64XLS	4536E	12 ¹ / ₄ X 5 ¹ / ₂	HK47XLS-150
4350	20 X 8	HK46	4536FCII	12 ¹ / ₄ X 5 ¹ / ₂	HK49-150
4398B	14 ¹ / ₂ X 5	HK86	4536P	12 ¹ / ₄ X 5 ¹ / ₂	HK48XLS-125
4468	16 ¹ / ₂ X 7	HK22XLS	4536P	12 ¹ / ₄ X 5 ¹ / ₂	HK48XLS-150
4471B	18 X 7	HK68	4541B	14 ¹ / ₂ X 8	HK85
4514HA	16 ¹ / ₂ X 6	HK95XLS	4544	12 ¹ / ₄ X 5 ¹ / ₂	HK45XLS
4514P	16 ¹ / ₂ X 6	HK14SD	4544	12 ¹ / ₄ X 5 ¹ / ₂	HK49-125
4514P	16 ¹ / ₂ X 6	HK14XLS	4544	12 ¹ / ₄ X 5 ¹ / ₂	HK49-150
4514P	16 ¹ / ₂ X 6	HK16	4549P	16 ¹ / ₂ X 4	HK14SD
4514Q	16 ¹ / ₂ X 6	HK29	4549P	16 ¹ / ₂ X 4	HK14XLS
4514Q	16 ¹ / ₂ X 6	HK38	4549P	16 ¹ / ₂ X 4	HK16
4514Q	16 ¹ / ₂ X 6	HK74XLS	4549Q	16 ¹ / ₂ X 4	HK29

NOTE: Refer to front of this catalog for the specific unlined brake shoe applications carried by Bendix.



BRAKE HARDWARE KIT QUICK REFERENCE

BW7248

Brake Shoe Number	Brake Shoe Size	Hardware Kit Number	Brake Shoe Number	Brake Shoe Size	Hardware Kit Number
4549Q	16 ¹ / ₂ X 4	HK38	4707R	16 ¹ / ₂ X 7	HK38
4551P	16 ¹ / ₂ X 8 ⁵ / ₈	HK14SD	4708H	16 ¹ / ₂ X 7	HK72
4551P	16 ¹ / ₂ X 8 ⁵ / ₈	HK14XLS	4708M	16 ¹ / ₂ X 7	HK73
4551P	16 ¹ / ₂ X 8 ⁵ / ₈	HK16	4708P	16 ¹ / ₂ X 7	HK69XLS
4551Q	16 ¹ / ₂ X 8 ⁵ / ₈	HK29	4708Q	16 ¹ / ₂ X 7	HK67SD
4551Q	16 ¹ / ₂ X 8 ⁵ / ₈	HK38	4708Q	16 ¹ / ₂ X 7	HK67XLS
4552B	16 ¹ / ₂ X 10	HK22XLS	4708XEM	16 ¹ / ₂ X 7	HK65SD
4561	16 ¹ / ₄ X 3 ¹ / ₂	HK52	4709	16 ¹ / ₂ X 7	HK63
4567P	16 ¹ / ₂ X 10	HK14SD	4709EII	16 ¹ / ₂ X 7	HK61
4567P	16 ¹ / ₂ X 10	HK14XLS	4710R	15 X 8 ⁵ / ₈	HK29XLS
4567P	16 ¹ / ₂ X 10	HK16	4711R	16 ¹ / ₂ X 8 ⁵ / ₈	HK29
4567Q	16 ¹ / ₂ X 10	HK29	4711R	16 ¹ / ₂ X 8 ⁵ / ₈	HK38
4567Q	16 ¹ / ₂ X 10	HK38	4715R	16 ¹ / ₂ X 6	HK29
4591	12 ¹ / ₄ X 7 ¹ / ₂	HK40	4715R	16 ¹ / ₂ X 6	HK38
4591S	12 ¹ / ₄ X 7 ¹ / ₂	HK43XLS	4715R	16 ¹ / ₂ X 6	HK74XLS
4592A	14 ¹ / ₂ X 10	HK83	4716EII	15 X 6	HK90XLS
4592A	14 ¹ / ₂ X 10	HK84	4717EII	15 X 8 ⁵ / ₈	HK91XLS
4607	12 ¹ / ₄ X 7 ¹ / ₂	HK45XLS	4719	16 ¹ / ₂ X 5	HK63
4607	12 ¹ / ₄ X 7 ¹ / ₂	HK49-125	4719EII	16 ¹ / ₂ X 5	HK61
4607	12 ¹ / ₄ X 7 ¹ / ₂	HK49-150	4720R	16 ¹ / ₂ X 5	HK74XLS
4625B	16 ¹ / ₂ X 7	HK19SD	4720R	16 ¹ / ₂ X 5	HK38
4649	12 ¹ / ₄ X 8	HK41	4725	16 ¹ / ₂ X 5	HK63
4661C	12 ¹ / ₄ X 5	HK43XLS	4725EII	16 ¹ / ₂ X 6	HK61
4661FCII	12 ¹ / ₄ X 5	HK49-150	4726EII	16 ¹ / ₂ X 8 ⁵ / ₈	HK61
4669D	18 X 7	HK76			
4670Q	12 ¹ / ₄ X 7 ¹ / ₂	HK44XLS			
4692	12 ¹ / ₄ X 7 ¹ / ₂	HK47XLS-125			
4692	12 ¹ / ₄ X 7 ¹ / ₂	HK47XLS-150			
4692FC	12 ¹ / ₄ X 7 ¹ / ₂	HK58XLS			
4692FCII	12 ¹ / ₄ X 7 ¹ / ₂	HK49-150			
4692P	12 ¹ / ₄ X 7 ¹ / ₂	HK48XLS-125			
4692P	12 ¹ / ₄ X 7 ¹ / ₂	HK48XLS-150			
4693	15 X 4	HK70			
4693HA	15 X 4	HK95XLS			
4700	12 ¹ / ₄ X 4	HK43XLS			
4701HA	16 ¹ / ₂ X 7	HK96XLS			
4701Q	16 ¹ / ₂ X 7	HK32SD			
4702R	15 X 4	HK29XLS			
4707R	16 ¹ / ₂ X 7	HK29			

NOTE: Refer to front of this catalog for the specific unlined brake shoe applications carried by Bendix.



	Bendix Kits	Bendix XLS Kits	Bendix SD Kits
Application	Standard Service Platforms	Extended Service Platforms	Severe Duty Environments
Market	Trailer, Line Haul	Large Fleets	Off-Highway, Refuse, Snow Removal
Return Spring	Standard Heat Treated Music Wire	Heavy-Duty Heat Treated Music Wire	Heavy-Duty Heat Treated Music Wire
Cam Roller	Smooth	Knurled	Knurled
Anchor Pin Bushing	Steel or Composite	Stainless Steel or Composite	Stainless Steel or Composite, Dimpled
Lubricant	Not Applicable	Not Applicable	Antiseize Lubricant

Genuine Bendix Hardware Kits are designed for every application and operating condition. Choose from three levels of hardware kits designed to meet the specific needs of your fleets:

- Bendix Hardware Kits meet or exceed all OE standards and are specifically designed for trailer and line haul applications.
- Bendix XLS Hardware Kits, designed to meet the demands of the Bendix Extended Service brake systems, feature knurled rollers, heavy-duty return springs and stainless steel anchor pin bushings.
- Bendix SD Hardware Kits, designed for the most severe applications, feature anti-seize lubricant and dimpled stainless steel bushings. The combination of these components reduce anchor pin to bushing seizure, making future brake changes easier.

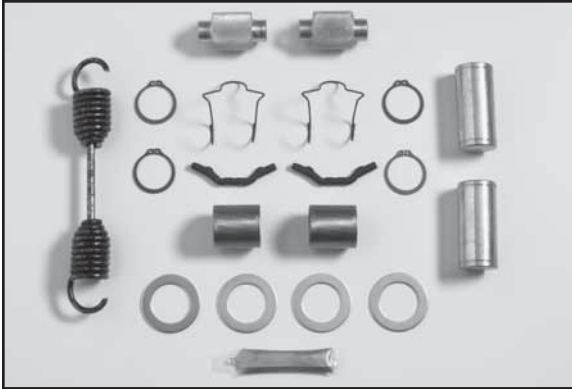
For superior performance and the “Lowest Cost per Mile” choose Bendix.



BRAKE HARDWARE KITS

BW7258

Kit Number: HK14SD



Bendix No.	Description	Qty.
15-527	Anchor Pin	2
16-700	Anchor Pin Bushing - Dimpled Stainless Steel	2
19-853	Return Spring - Heavy Duty	1
20-881	Return Spring Pin	2
32-1428	Cam Roller - Knurled	2
34-1525	Camshaft Lockring	4
34-1532	Cam Roller Retainer - Rockwell	2
35-1580	Anchor Pin Washer	4
Antiseize	Hw Kit Lubricant	1

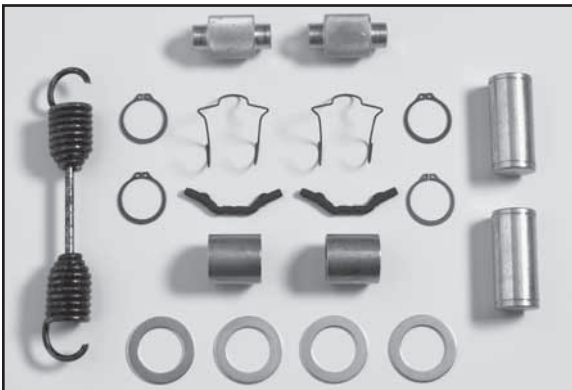
Application

4514P	16½ X 6	ROCKWELL P
4515P	16½ X 7	ROCKWELL / MERITOR P
4515P	16½ X 7	BENDIX® FT
4524P	16½ X 5	ROCKWELL P
4549P	16½ X 4	ROCKWELL P
4551P	16½ X 8 ⁵ / ₈	ROCKWELL P
4567P	16½ X 10	ROCKWELL / MERITOR P

Severe duty universal kit for truck and trailer "P" type brakes

Use for spiders with serviceable bushings (floating anchor pin application)

Kit Number: HK14XLS



Bendix No.	Description	Qty.
15-527	Anchor Pin	2
16-563	Anchor Pin Bushing - Stainless Steel	2
19-853	Return Spring - Heavy Duty	1
20-881	Return Spring Pin	2
32-1428	Cam Roller - Knurled	2
34-1525	Camshaft Lockring	4
34-1532	Cam Roller Retainer - Rockwell	2
35-1580	Anchor Pin Washer	4

Application

4514P	16½ X 6	ROCKWELL P
4515P	16½ X 7	ROCKWELL / MERITOR P
4515P	16½ X 7	BENDIX® FT
4524P	16½ X 5	ROCKWELL P
4549P	16½ X 4	ROCKWELL P
4551P	16½ X 8 ⁵ / ₈	ROCKWELL P
4567P	16½ X 10	ROCKWELL / MERITOR P

Heavy duty universal kit for truck and trailer "P" type brakes

Use for spiders with serviceable bushings (floating anchor pin application)

Kit Number: HK16



Bendix No.	Description	Qty.
15-526	Anchor Pin	2
19-856	Return Spring	1
20-881	Return Spring Pin	2
32-1425	Cam Roller - Smooth	2
34-1525	Camshaft Lockring	4
34-1529	Cam Roller Retainer	2
34-1539	Anchor Pin Lock Screw	2
35-1582	Neoprene Anchor Pin Seal	4

Application

4514P	16½ X 6	ROCKWELL P
4515P	16½ X 7	ROCKWELL / MERITOR P
4515P	16½ X 7	BENDIX® FT
4524P	16½ X 5	ROCKWELL P
4549P	16½ X 4	ROCKWELL P
4551P	16½ X 8 ⁵ / ₈	ROCKWELL P
4567P	16½ X 10	ROCKWELL / MERITOR P

Universal kit for early model truck and trailer "P" type brakes

Use for applications with non-rebushable spiders (fixed anchor pin application)

Kit Number: HK16SD



Bendix No.	Description	Qty.
15-526	Anchor Pin	2
19-853	Return Spring - Heavy Duty	1
20-881	Return Spring Pin	2
32-1428	Cam Roller - Knurled	2
34-1525	Camshaft Lockring	4
34-1532	Cam Roller Retainer - Rockwell	2
34-1539	Anchor Pin Lock Screw	2
35-1582	Neoprene Anchor Pin Seal	4
Antiseize	Hw Kit Lubricant	1

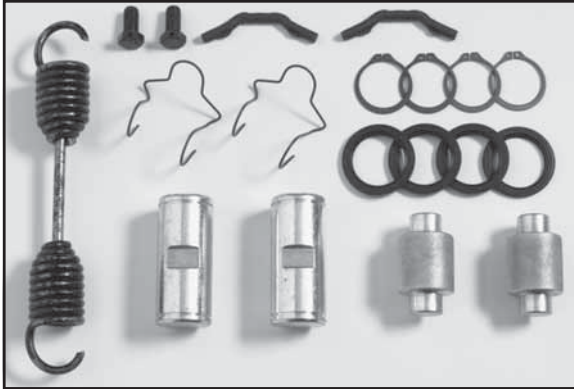
Application

4514P	16½ X 6	ROCKWELL P
4515P	16½ X 7	ROCKWELL / MERITOR P
4515P	16½ X 7	BENDIX® FT
4524P	16½ X 5	ROCKWELL P
4549P	16½ X 4	ROCKWELL P
4551P	16½ X 8 ⁵ / ₈	ROCKWELL P
4567P	16½ X 10	ROCKWELL / MERITOR P

Severe duty universal kit for early model truck and trailer "P" type brakes

Use for applications with non-rebushable spiders (fixed anchor pin application)

Kit Number: HK16XLS



Bendix No.	Description	Qty.
15-526	Anchor Pin	2
19-853	Return Spring - Heavy Duty	1
20-881	Return Spring Pin	2
32-1428	Cam Roller - Knurled	2
34-1525	Camshaft Lockring	4
34-1532	Cam Roller Retainer - Rockwell	2
34-1539	Anchor Pin Lock Screw	2
35-1582	Neoprene Anchor Pin Seal	4

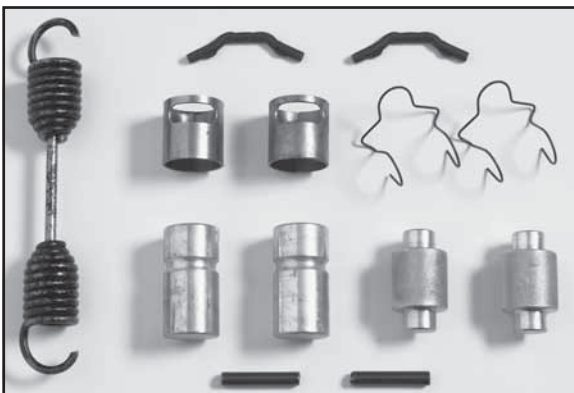
Application

4514P	16½ X 6	ROCKWELL P
4515P	16½ X 7	ROCKWELL / MERITOR P
4515P	16½ X 7	BENDIX® FT
4524P	16½ X 5	ROCKWELL P
4549P	16½ X 4	ROCKWELL P
4551P	16½ X 8 ⁵ / ₈	ROCKWELL P
4567P	16½ X 10	ROCKWELL / MERITOR P

Heavy duty universal kit for early model truck and trailer "P" type brakes

Use for applications with non-rebushable spiders (fixed anchor pin application)

Kit Number: HK17XLS



Bendix No.	Description	Qty.
15-529	Anchor Pin	2
16-561	Anchor Pin Bushing - Os Slot	2
19-853	Return Spring - Heavy Duty	1
20-881	Return Spring Pin	2
32-1428	Cam Roller - Knurled	2
34-1532	Cam Roller Retainer - Rockwell	2
34-1533	Roll Pin Lock	2

Application

4515F	16½ X 7	FRUEHAUF P 1st
4515FP	16½ X 7	FRUEHAUF P

For use with old style spiders, drilled for roll pin

Use HK14SD or HK14XLS for new style spiders, not drilled for roll pin

Kit Number: HK19SD



Bendix No.	Description	Qty.
15-532	Anchor Pin	2
19-853	Return Spring - Heavy Duty	1
20-881	Return Spring Pin	2
23-1026	Brake Shoe Bushing	4
32-1431	Cam Roller - Smooth	2
34-1525	Camshaft Lockring	4
34-1539	Anchor Pin Lock Screw	2
35-1582	Neoprene Anchor Pin Seal	4
Antiseize	Hw Kit Lubricant	1

Application

4625B 16½ X 7 MACK P

For use on fabricated shoes with bushed anchor pin holes and 1⅝" cam rollers

Kit Number: HK22XLS

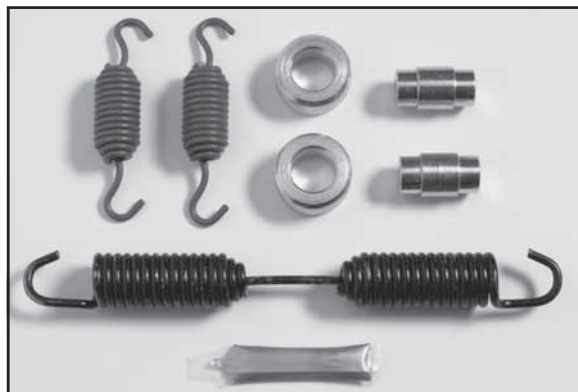


Bendix No.	Description	Qty.
15-532	Anchor Pin	2
19-853	Return Spring - Heavy Duty	1
23-1026	Brake Shoe Bushing	4
32-1435	Cam Roller - Smooth	2
32-1440	Cam Roller Pin	2
34-1525	Camshaft Lockring	4
34-1539	Anchor Pin Lock Screw	2
34-1540	Roller Pin Set Screw	2
35-1577	Retainer	4
35-1582	Neoprene Anchor Pin Seal	4

Application

4468 16½ X 7 BENDIX® STD FORGE CAST SHOE
 4552B 16½ X 10 BENDIX® CAST SHOE

Kit Number: HK24SDLM



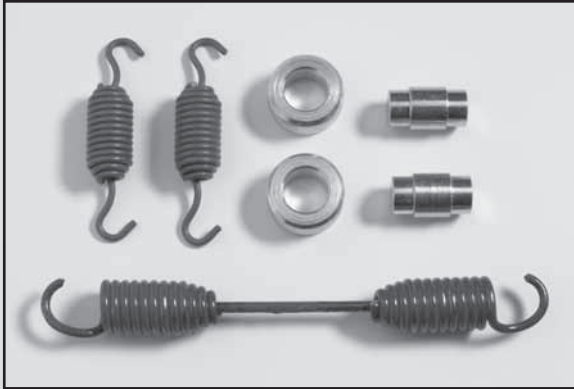
Bendix No.	Description	Qty.
19-854	Return Spring	1
19-859	Retainer Spring	2
32-1441A	Cam Roller - Knurled	2
32-1442A	Cam Roller Pin	2
Antiseize	Hw Kit Lubricant	1

Application

4223E 16½ X 5 BENDIX® SAP
 4311E 16½ X 7 BENDIX® SAP
 4317E 16½ X 6 BENDIX® SAP

For use with low mount brake shoe (see illustration on next page)

Kit Number: HK24XLSHM



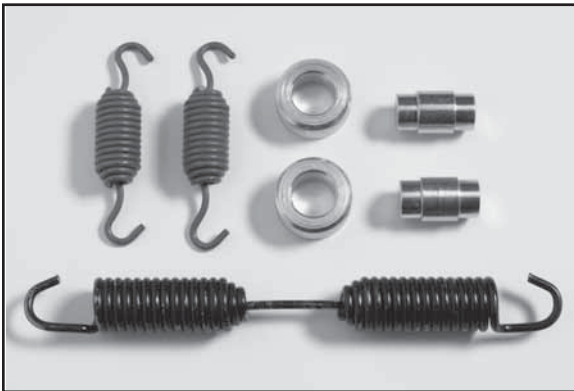
Bendix No.	Description	Qty.
19-859	Retainer Spring	2
19-874	Return Spring	1
32-1441A	Cam Roller - Knurled	2
32-1442A	Cam Roller Pin	2

Application

4223E	16½ X 5	BENDIX® SAP
4311E	16½ X 7	BENDIX® SAP
4317E	16½ X 6	BENDIX® SAP

Special return spring for Ford application (brake shoe has offset spring retainer pin)

For use with high mount brake shoe (see illustration below)



Kit Number: HK24XLSLM

Bendix No.	Description	Qty.
19-854	Return Spring	1
19-859	Retainer Spring	2
32-1441A	Cam Roller - Knurled	2
32-1442A	Cam Roller Pin	2

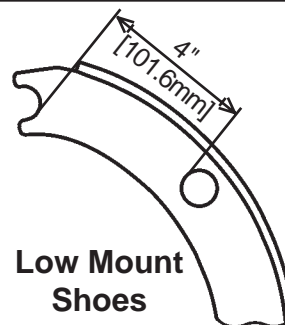
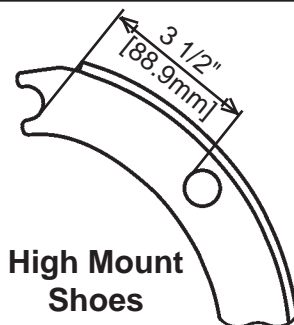
Application

4223E	16½ X 5	BENDIX® SAP
4311E	16½ X 7	BENDIX® SAP
4317E	16½ X 6	BENDIX® SAP

For use with low mount brake shoe (see illustration below)

Drive axle brakes

- High mount shoes and low mount shoes use different return springs.
- High mount shoes can replace low mount shoes in all applications with the appropriate hardware kits.
- Low mount shoes cannot replace high mount shoes .

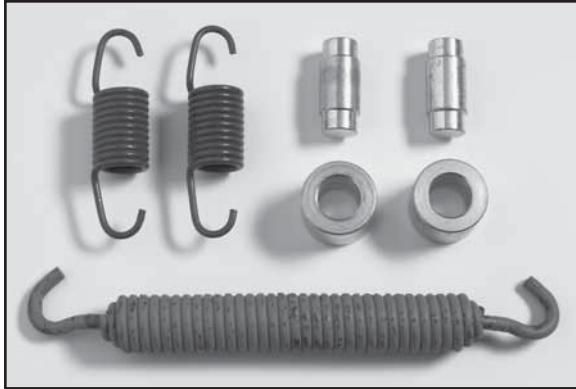


BW7258

BRAKE HARDWARE KITS



Kit Number: HK26



Bendix No.	Description	Qty.
19-876	Return Spring	1
19-877	Retainer Spring	2
32-1443	Wide Web Cam Roller	2
32-1444	Cam Roller Pin	2

Application

4527B 18 X 7 BENDIX CAST SHOE

For use with bolt-on spiders
Drive axle brakes

Kit Number: HK27



Bendix No.	Description	Qty.
15-526	Anchor Pin	2
19-853	Return Spring - Heavy Duty	1
20-881	Return Spring Pin	2
32-1445	Cam Roller - Knurled	2
32-1446	Cam Roller Pin	2
34-1525	Camshaft Lockring	4
34-1526	Lockring	2
35-1582	Neoprene Anchor Pin Seal	4

Application

4284 18 X 7 BENDIX® STD FORGE FABRICATED



BRAKE HARDWARE KITS

BW7258

Kit Number: HK29



Bendix No.	Description	Qty.
15-542	Anchor Pin	2
16-565	Anchor Pin Bushing	2
19-856A	Return Spring	1
19-860	Return Spring	2
20-881	Return Spring Pin	2
32-1425	Cam Roller - Smooth	2
34-1529	Cam Roller Retainer	2

Application

4514Q	16 ¹ / ₂ X 6	ROCKWELL / MERITOR Q
4515Q	16 ¹ / ₂ X 7	ROCKWELL / MERITOR Q
4515Q	16 ¹ / ₂ X 7	BENDIX® FC
4524Q	16 ¹ / ₂ X 5	ROCKWELL / MERITOR Q
4524Q	16 ¹ / ₂ X 5	BENDIX® FC
4549Q	16 ¹ / ₂ X 4	ROCKWELL Q
4551Q	16 ¹ / ₂ X 8 ⁵ / ₈	ROCKWELL / MERITOR Q
4551Q	16 ¹ / ₂ X 8 ⁵ / ₈	BENDIX® FC
4567Q	16 ¹ / ₂ X 10	ROCKWELL / MERITOR Q
4702R	15 X 4	ROCKWELL / MERITOR Q PLUS
4702R	15 X 4	BENDIX® XTRALIFE II
4707R	16 ¹ / ₂ X 7	ROCKWELL / MERITOR Q PLUS
4707R	16 ¹ / ₂ X 7	BENDIX® XTRALIFE II
4710R	15 X 8 ⁵ / ₈	ROCKWELL / MERITOR Q PLUS
4710R	15 X 8 ⁵ / ₈	BENDIX® XTRALIFE II
4711R	16 ¹ / ₂ X 8 ⁵ / ₈	ROCKWELL / MERITOR Q PLUS
4715R	16 ¹ / ₂ X 6	ROCKWELL / MERITOR Q PLUS
4720R	16 ¹ / ₂ X 5	ROCKWELL / MERITOR Q PLUS
4720R	16 ¹ / ₂ X 5	BENDIX® XTRALIFE II

Also for use with Hendrickson "INTRAAX" brake

Kit Number: HK29SD



Bendix No.	Description	Qty.
15-542	Anchor Pin	2
16-700	Anchor Pin Bushing - Dimpled Stainless Steel	2
19-853A	Return Spring - Heavy Duty	1
19-860	Return Spring	2
20-881	Return Spring Pin	2
32-1428	Cam Roller - Knurled	2
34-1532	Cam Roller Retainer - Rockwell	2
Antiseize	Hw Kit Lubricant	1

Application

4514Q	16 ¹ / ₂ X 6	ROCKWELL / MERITOR Q
4515Q	16 ¹ / ₂ X 7	ROCKWELL / MERITOR Q
4515Q	16 ¹ / ₂ X 7	BENDIX® FC
4524Q	16 ¹ / ₂ X 5	ROCKWELL / MERITOR Q
4524Q	16 ¹ / ₂ X 5	BENDIX® FC
4549Q	16 ¹ / ₂ X 4	ROCKWELL Q
4551Q	16 ¹ / ₂ X 8 ⁵ / ₈	ROCKWELL / MERITOR Q
4551Q	16 ¹ / ₂ X 8 ⁵ / ₈	BENDIX® FC
4567Q	16 ¹ / ₂ X 10	ROCKWELL / MERITOR Q
4702R	15 X 4	ROCKWELL / MERITOR Q PLUS
4702R	15 X 4	BENDIX® XTRALIFE II
4707R	16 ¹ / ₂ X 7	ROCKWELL / MERITOR Q PLUS
4707R	16 ¹ / ₂ X 7	BENDIX® XTRALIFE II
4710R	15 X 8 ⁵ / ₈	ROCKWELL / MERITOR Q PLUS
4710R	15 X 8 ⁵ / ₈	BENDIX® XTRALIFE II
4711R	16 ¹ / ₂ X 8 ⁵ / ₈	ROCKWELL / MERITOR Q PLUS
4715R	16 ¹ / ₂ X 6	ROCKWELL / MERITOR Q PLUS
4720R	16 ¹ / ₂ X 5	ROCKWELL / MERITOR Q PLUS
4720R	16 ¹ / ₂ X 5	BENDIX® XTRALIFE II

Also for use with Hendrickson "INTRAAX" brake



Kit Number: HK29XLS

Bendix No.	Description	Qty.
15-542	Anchor Pin	2
16-563	Anchor Pin Bushing - Stainless Steel	2
19-853A	Return Spring - Heavy Duty	1
19-860	Return Spring	2
20-881	Return Spring Pin	2
32-1428	Cam Roller - Knurled	2
34-1532	Cam Roller Retainer - Rockwell	2

Application

4514Q	16 ¹ / ₂ X 6	ROCKWELL / MERITOR Q
4515Q	16 ¹ / ₂ X 7	ROCKWELL / MERITOR Q
4515Q	16 ¹ / ₂ X 7	BENDIX® FC
4524Q	16 ¹ / ₂ X 5	ROCKWELL / MERITOR Q
4524Q	16 ¹ / ₂ X 5	BENDIX® FC
4549Q	16 ¹ / ₂ X 4	ROCKWELL Q
4551Q	16 ¹ / ₂ X 8 ⁵ / ₈	ROCKWELL / MERITOR Q
4551Q	16 ¹ / ₂ X 8 ⁵ / ₈	BENDIX® FC
4567Q	16 ¹ / ₂ X 10	ROCKWELL / MERITOR Q
4702R	15 X 4	ROCKWELL / MERITOR Q PLUS
4702R	15 X 4	BENDIX® XTRALIFE II
4707R	16 ¹ / ₂ X 7	ROCKWELL / MERITOR Q PLUS
4707R	16 ¹ / ₂ X 7	BENDIX® XTRALIFE II
4710R	15 X 8 ⁵ / ₈	ROCKWELL / MERITOR Q PLUS
4710R	15 X 8 ⁵ / ₈	BENDIX® XTRALIFE II
4711R	16 ¹ / ₂ X 8 ⁵ / ₈	ROCKWELL / MERITOR Q PLUS
4715R	16 ¹ / ₂ X 6	ROCKWELL / MERITOR Q PLUS
4720R	16 ¹ / ₂ X 5	ROCKWELL / MERITOR Q PLUS
4720R	16 ¹ / ₂ X 5	BENDIX® XTRALIFE II

Also for use with Hendrickson "INTRAAX" brake

BW7258

BRAKE HARDWARE KITS



Kit Number: HK31XLS



Bendix No.	Description	Qty.
12-403	Cotter Pin	1
15-543	Anchor Pin	2
16-561	Anchor Pin Bushing - Os Slot	2
19-853A	Return Spring - Heavy Duty	1
19-860	Return Spring	2
20-881	Return Spring Pin	2
32-1428	Cam Roller - Knurled	2
34-1532	Cam Roller Retainer - Rockwell	2
34-1533	Roll Pin Lock	2

Application

4515X2 16½ X 7 FRUEHAUF XEM 2nd

Early model "XEM" brake

19-853A replaced by 19-853 in Canada

Kit Number: HK32SD



Bendix No.	Description	Qty.
15-542	Anchor Pin	2
16-700	Anchor Pin Bushing - Dimpled Stainless Steel	2
19-853	Return Spring - Heavy Duty	1
19-860	Return Spring	2
20-881	Return Spring Pin	2
32-1430	Cam Roller - Smooth	2
34-1532	Cam Roller Retainer - Rockwell	2
Antiseize	Hw Kit Lubricant	1

Application

4701Q 16½ X 7 BENDIX® Q



BRAKE HARDWARE KITS

BW7258

Kit Number: HK34SD



Bendix No.	Description	Qty.
12-403	Cotter Pin	1
15-536	Anchor Pin	2
16-700	Anchor Pin Bushing - Dimpled Stainless Steel	2
19-853A	Return Spring - Heavy Duty	1
19-860	Return Spring	2
20-881	Return Spring Pin	2
32-1428	Cam Roller - Knurled	2
34-1530	Cam Roller Retainer	2
Antiseize	Hw Kit Lubricant	1

Application

4515X3 16½ X 7 FRUEHAUF XEM 3RD

Late model "XEM" brake

19-853A replaced by 19-853 in Canada

Kit Number: HK34XLS



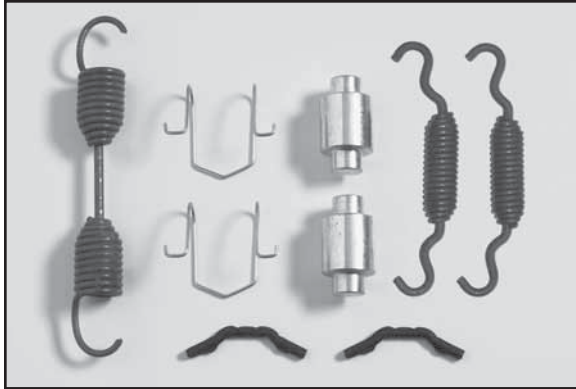
Bendix No.	Description	Qty.
12-403	Cotter Pin	1
15-536	Anchor Pin	2
16-563	Anchor Pin Bushing - Stainless Steel	2
19-853A	Return Spring - Heavy Duty	1
19-860	Return Spring	2
20-881	Return Spring Pin	2
32-1428	Cam Roller - Knurled	2
34-1532	Cam Roller Retainer - Rockwell	2

Application

4515X3 16½ X 7 FRUEHAUF XEM 3RD

Late model "XEM" brake

19-853A replaced by 19-853 in Canada



Bendix No.	Description	Qty.
19-856A	Return Spring	1
19-860	Return Spring	2
20-881	Return Spring Pin	2
32-1425	Cam Roller - Smooth	2
34-1529	Cam Roller Retainer	2

Application

4514Q	16 ¹ / ₂ X 6	ROCKWELL / MERITOR Q
4515Q	16 ¹ / ₂ X 7	ROCKWELL / MERITOR Q
4515Q	16 ¹ / ₂ X 7	BENDIX® FC
4524Q	16 ¹ / ₂ X 5	ROCKWELL / MERITOR Q
4524Q	16 ¹ / ₂ X 5	BENDIX® FC
4549Q	16 ¹ / ₂ X 4	ROCKWELL Q
4551Q	16 ¹ / ₂ X 8 ⁵ / ₈	ROCKWELL / MERITOR Q
4551Q	16 ¹ / ₂ X 8 ⁵ / ₈	BENDIX® FC
4567Q	16 ¹ / ₂ X 10	ROCKWELL / MERITOR Q
4707R	16 ¹ / ₂ X 7	ROCKWELL / MERITOR Q PLUS
4707R	16 ¹ / ₂ X 7	BENDIX® XTRALIFE II
4711R	16 ¹ / ₂ X 8 ⁵ / ₈	ROCKWELL / MERITOR Q PLUS
4715R	16 ¹ / ₂ X 6	ROCKWELL / MERITOR Q PLUS
4720R	16 ¹ / ₂ X 5	ROCKWELL / MERITOR Q PLUS
4720R	16 ¹ / ₂ X 5	BENDIX® XTRALIFE II

Short kit (less anchor pins and bushings)

For full kit, use HK29

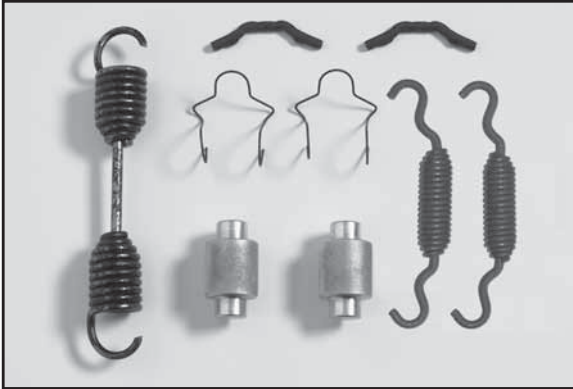
Also for use with Hendrickson "INTRAAX" brake



BRAKE HARDWARE KITS

BW7258

Kit Number: HK38XLS



Bendix No.	Description	Qty.
19-853A	Return Spring - Heavy Duty	1
19-860	Return Spring	2
20-881	Return Spring Pin	2
32-1428	Cam Roller - Knurled	2
34-1532	Cam Roller Retainer - Rockwell	2

Application

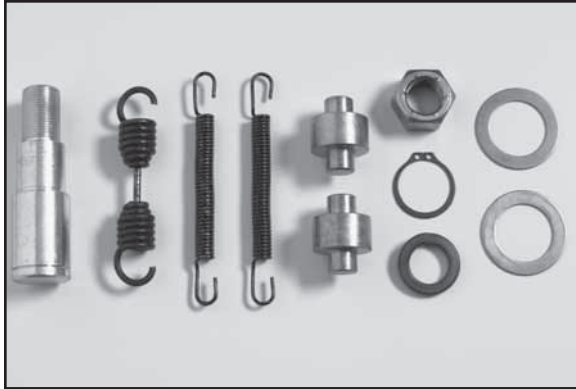
4514Q	16 $\frac{1}{2}$ X 6	ROCKWELL / MERITOR Q
4515Q	16 $\frac{1}{2}$ X 7	ROCKWELL / MERITOR Q
4515Q	16 $\frac{1}{2}$ X 7	BENDIX® FC
4524Q	16 $\frac{1}{2}$ X 5	ROCKWELL / MERITOR Q
4524Q	16 $\frac{1}{2}$ X 5	BENDIX® FC
4549Q	16 $\frac{1}{2}$ X 4	ROCKWELL Q
4551Q	16 $\frac{1}{2}$ X 8 $\frac{5}{8}$	ROCKWELL / MERITOR Q
4551Q	16 $\frac{1}{2}$ X 8 $\frac{5}{8}$	BENDIX® FC
4567Q	16 $\frac{1}{2}$ X 10	ROCKWELL / MERITOR Q
4707R	16 $\frac{1}{2}$ X 7	ROCKWELL / MERITOR Q PLUS
4707R	16 $\frac{1}{2}$ X 7	BENDIX® XTRALIFE II
4711R	16 $\frac{1}{2}$ X 8 $\frac{5}{8}$	ROCKWELL / MERITOR Q PLUS
4715R	16 $\frac{1}{2}$ X 6	ROCKWELL / MERITOR Q PLUS
4720R	16 $\frac{1}{2}$ X 5	ROCKWELL / MERITOR Q PLUS
4720R	16 $\frac{1}{2}$ X 5	BENDIX® XTRALIFE II

19-853A replaced by 19-853 in Canada

Short kit (less anchor pins and bushings)

For full kit, use HK29XLS

Kit Number: HK40



Bendix No.	Description	Qty.
15-540	Anchor Pin	1
19-864	Return Spring	1
19-866	Retainer Spring	2
29-1301	Camshaft Lockring	1
29-1307	Camshaft Washer	2
32-1429	Cam Roller - Smooth	2
34-1545	Anchor Pin Lock Nut	1
34-1546	Anchor Pin Lockwasher	1

Application

4591 12¹/₄ X 7¹/₂ EATON SHULER

Kit Number: HK41

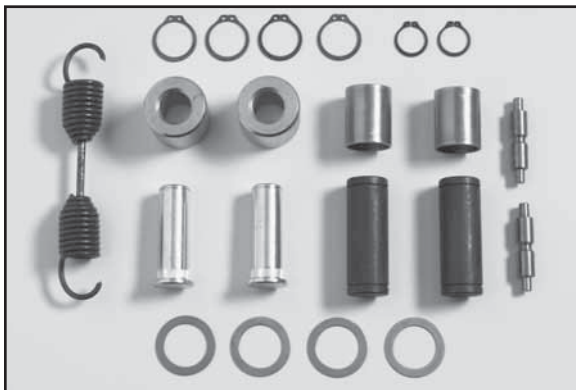


Bendix No.	Description	Qty.
15-529	Anchor Pin	2
16-561	Anchor Pin Bushing - Os Slot	2
19-863	Return Spring	1
20-881	Return Spring Pin	2
32-1430	Cam Roller - Smooth	2
34-1531	Cam Roller Retainer	2
34-1533	Roll Pin Lock	2

Application

4649 12¹/₄ X 8 FRUEHAUF DAP

Kit Number: HK43XLS



Bendix No.	Description	Qty.
15-537	Anchor Pin	2
16-564	Anchor Pin Bushing - Stainless Steel	2
19-862	Return Spring - Heavy Duty	1
20-882	Return Spring Pin	2
32-1445	Cam Roller - Knurled	2
32-1446	Cam Roller Pin	2
34-1526	Lockring	2
34-1527	Camshaft Lockring	4
35-1581	Anchor Pin Washer	4

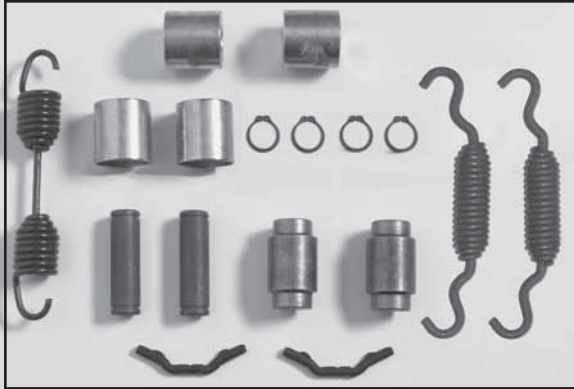
Application

4536B 12¹/₄ X 5¹/₂ BENDIX® STD FORGE
 4591S 12¹/₄ X 7¹/₂ BENDIX® STD. FORGE & AXLE
 4661C 12¹/₄ X 5 DEXTER
 4700 12¹/₄ X 4 DEXTER

Fabricated brake shoes

Closed on both ends

Kit Number: HK44XLS



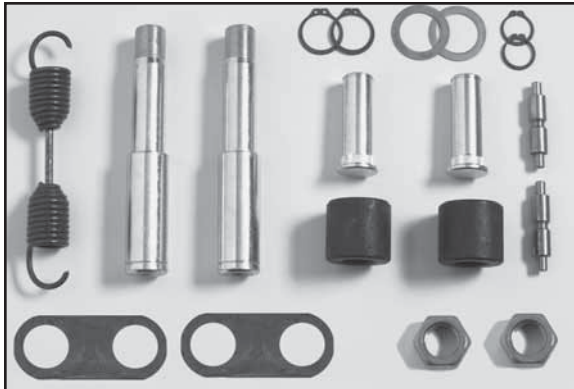
Bendix No.	Description	Qty.
15-542	Anchor Pin	2
16-563	Anchor Pin Bushing - Stainless Steel	2
19-860	Return Spring	2
19-882	Return Spring - Heavy Duty	1
20-881	Return Spring Pin	2
32-1467	Cam Roller - Knurled	2
32-1468	Cam Roller Pin	2
34-1526	Lockring	4

Application

4670Q 12¹/₄ X 7¹/₂ ROCKWELL / MERITOR TRAILER AXL

Fabricated brake shoes

Kit Number: HK45XLS



Bendix No.	Description	Qty.
15-539	Anchor Pin	2
19-862	Return Spring - Heavy Duty	1
20-882	Return Spring Pin	2
32-1445	Cam Roller - Knurled	2
32-1446	Cam Roller Pin	2
34-1526	Lockring	2
34-1527	Camshaft Lockring	2
34-1536	3/4 -16 Anchor Pin Nut	2
34-1544	Anchor Pin Link	2
35-1581	Anchor Pin Washer	2

Application

4544 12¹/₄ X 5¹/₂ BENDIX® STD FORGE
 4607 12¹/₄ X 7¹/₂ BENDIX® STD FORGE

Converts 4544 shoe to 4536B fabricated

Converts 4607 shoe to 4591S fabricated

Kit Number: HK46

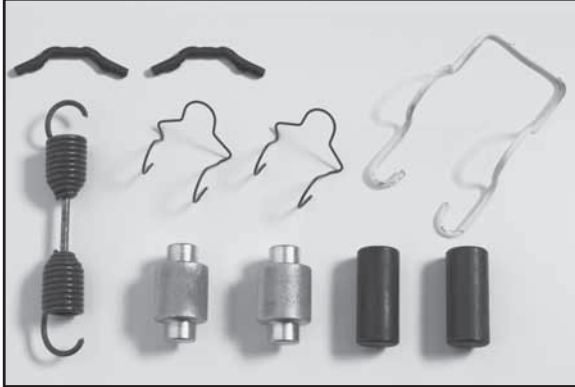


Bendix No.	Description	Qty.
15-544	Anchor Pin	2
19-880	Return Spring	1
23-1032	Brake Shoe Bushing	4
29-1269	Spider Seal	4
29-1301	Camshaft Lockring	4
32-1453	Cam Roller Pin	2
32-1454	Cam Roller	2
34-1527	Camshaft Lockring	4
34-1539	Anchor Pin Lock Screw	2

Application

4350 20 X 8 BENDIX® CAST SHOE

Kit Number: HK47XLS-125



Bendix No.	Description	Qty.
15-545	Anchor Pin	2
19-862	Return Spring - Heavy Duty	1
20-881	Return Spring Pin	2
32-1428	Cam Roller - Knurled	2
34-1532	Cam Roller Retainer - Rockwell	2
34-1563	Anchor Pin Retainer	1

Application

4536E	12 ¹ / ₄ X 5 ¹ / ₂	BENDIX® U BRAKE
4692	12 ¹ / ₄ X 7 ¹ / ₂	BENDIX® U BRAKE

1¹/₄" Roller - Use with fast rise cams manufactured from 1989 to July, 1994

Fabricated shoes

Open both ends

Kit Number: HK47XLS-150



Bendix No.	Description	Qty.
15-545	Anchor Pin	2
19-862	Return Spring - Heavy Duty	1
20-881	Return Spring Pin	2
32-1427	Cam Roller - Smooth	2
34-1532	Cam Roller Retainer - Rockwell	2
34-1563	Anchor Pin Retainer	1

Application

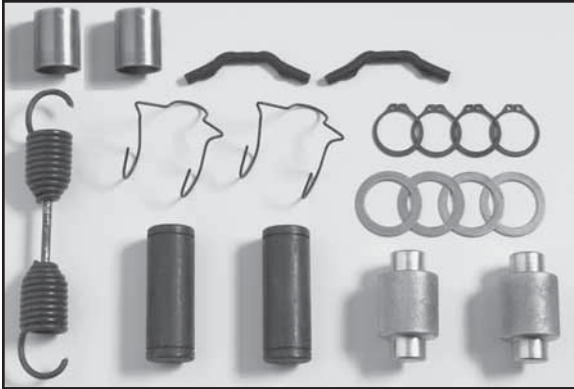
4536E	12 ¹ / ₄ X 5 ¹ / ₂	BENDIX® U BRAKE
4692	12 ¹ / ₄ X 7 ¹ / ₂	BENDIX® U BRAKE

1¹/₂" Roller - Use with new style cams manufactured since July, 1994

Fabricated shoes

Open both ends

Kit Number: HK48XLS-125



Bendix No.	Description	Qty.
15-537	Anchor Pin	2
16-564	Anchor Pin Bushing - Stainless Steel	2
19-862	Return Spring - Heavy Duty	1
20-881	Return Spring Pin	2
32-1428	Cam Roller - Knurled	2
34-1527	Camshaft Lockring	4
34-1532	Cam Roller Retainer - Rockwell	2
35-1581	Anchor Pin Washer	4

Application

4536P	12 ¹ / ₄ X 5 ¹ / ₂	BENDIX® FT TIMKEN FABRICATED
4692P	12 ¹ / ₄ X 7 ¹ / ₂	BENDIX® FT TIMKEN FABRICATED

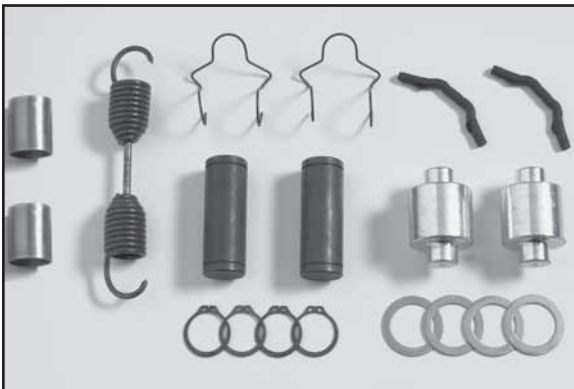
1¹/₄" Roller - Use with fast rise cams manufactured from 1989 to July, 1994

Fabricated shoes

Open roller ends

Closed anchor end

Kit Number: HK48XLS-150



Bendix No.	Description	Qty.
15-537	Anchor Pin	2
16-564	Anchor Pin Bushing - Stainless Steel	2
19-862	Return Spring - Heavy Duty	1
20-881	Return Spring Pin	2
32-1427	Cam Roller - Smooth	2
34-1527	Camshaft Lockring	4
34-1532	Cam Roller Retainer - Rockwell	2
35-1581	Anchor Pin Washer	4

Application

4536P	12 ¹ / ₄ X 5 ¹ / ₂	BENDIX® FT TIMKEN FABRICATED
4692P	12 ¹ / ₄ X 7 ¹ / ₂	BENDIX® FT TIMKEN FABRICATED

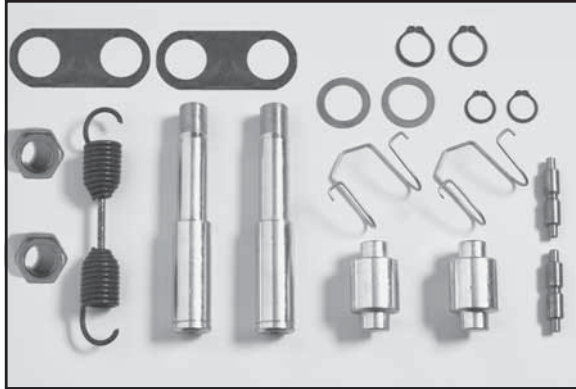
1¹/₂" Roller - Use with new style cams manufactured since July, 1994

Fabricated shoes

Open roller ends

Closed anchor end

Kit Number: HK49-125



Bendix No.	Description	Qty.
15-539	Anchor Pin	2
19-862	Return Spring - Heavy Duty	1
20-882	Return Spring Pin	2
32-1425	Cam Roller - Smooth	2
34-1526	Lockring	2
34-1529	Cam Roller Retainer	2
34-1536	3/4 -16 Anchor Pin Nut	2
34-1537	Anchor Pin Lockwasher	2
34-1544	Anchor Pin Link	2
35-1581	Anchor Pin Washer	2

Application

4544	12 ¹ / ₄ X 5 ¹ / ₂	BENDIX® STD FORGE
4607	12 ¹ / ₄ X 7 ¹ / ₂	BENDIX® STD FORGE

1¹/₄" Roller - Use with conventional low profile cam
 Converts brake from cast to fabricated shoe
 Open roller end, closed anchor end

Kit Number: HK49-150



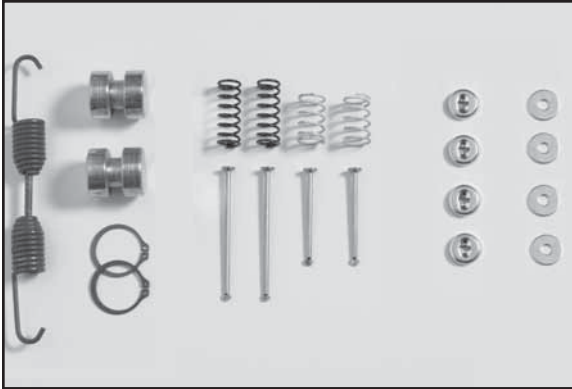
Bendix No.	Description	Qty.
15-537	Anchor Pin	2
15-542	Anchor Pin	2
16-565	Anchor Pin Bushing	2
19-862	Return Spring - Heavy Duty	1
19-941	Retainer Spring - 12 ¹ / ₄	2
20-881	Return Spring Pin	2
32-1427	Cam Roller - Smooth	2
34-1527	Camshaft Lockring	4
34-1529	Cam Roller Retainer	2
35-1581	Anchor Pin Washer	4

Application

4536FCII	12 ¹ / ₄ X 5 ¹ / ₂	BENDIX® FCII
4544	12 ¹ / ₄ X 5 ¹ / ₂	BENDIX® STD FORGE
4607	12 ¹ / ₄ X 7 ¹ / ₂	BENDIX® STD FORGE
4661FCII	12 ¹ / ₄ X 5	BENDIX® FCII
4692FCII	12 ¹ / ₄ X 7 ¹ / ₂	BENDIX® FCII

1¹/₂" Roller - Use with high profile cam
 1¹/₂" Roller - Use with high profile cam
 Applicable hardware to convert standard application 4692 to 4692
 FC (Fast Change)

Kit Number: HK50



Bendix No.	Description	Qty.
19-896	Return Spring	1
19-921	Hold Down Assembly	2
32-1464	Cam Roller - Smooth	2
34-1525	Camshaft Lockring	2

Application

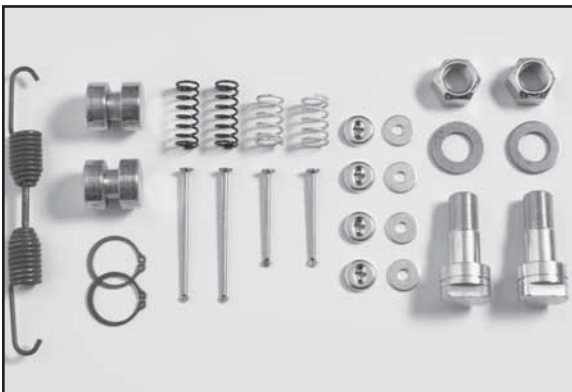
1307T	15 X 3 1/2	ROCKWELL T
1308T	15 X 4	ROCKWELL / MERITOR T

Short kit (less anchor pins, nuts and washers)

For full kit, use HK51

Steer axle brakes

Kit Number: HK51



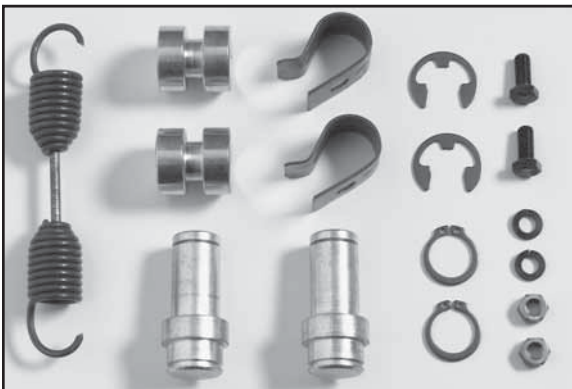
Bendix No.	Description	Qty.
15-550	Anchor Pin	2
19-896	Return Spring	1
19-921	Hold Down Assembly	2
32-1464	Cam Roller - Smooth	2
34-1525	Camshaft Lockring	2
34-1551	Anchor Pin Hex Nut	2
34-1552	Anchor Pin Washer	2

Application

1307T	15 X 3 1/2	ROCKWELL T
1308T	15 X 4	ROCKWELL / MERITOR T

Steer axle brakes - types 1 and 2

Kit Number: HK52



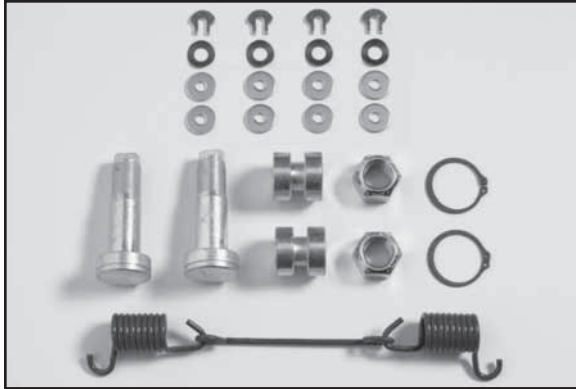
Bendix No.	Description	Qty.
15-551	Anchor Pin	2
19-862	Return Spring - Heavy Duty	1
19-920	Hold Down Assembly	2
32-1465	Cam Roller - Smooth	2
34-1543	Anchor Pin Lock Ring	2
34-1549	Anchor Pin Lock	2

Application

4561	16 1/4 X 3 1/2	ROCKWELL T
------	----------------	------------

Steer axle brakes

Kit Number: HK53



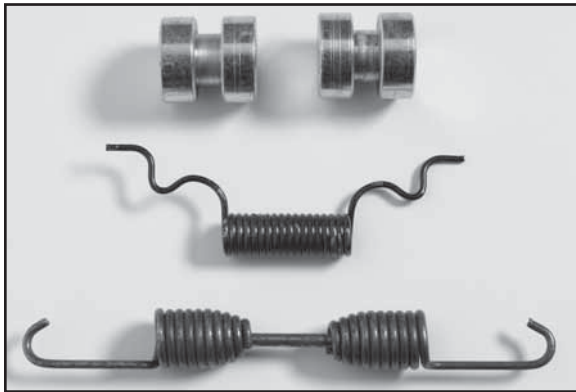
Bendix No.	Description	Qty.
15-557	Anchor Pin	2
19-891	Return Spring	1
19-892A	Hold Down Assembly	4
32-1463	Cam Roller - Smooth	2
34-1550	Anchor Pin Lock	2
34-1551	Anchor Pin Hex Nut	2

Application

1308A 15 X 4 WAGNER

Steer axle brakes

Kit Number: HK54



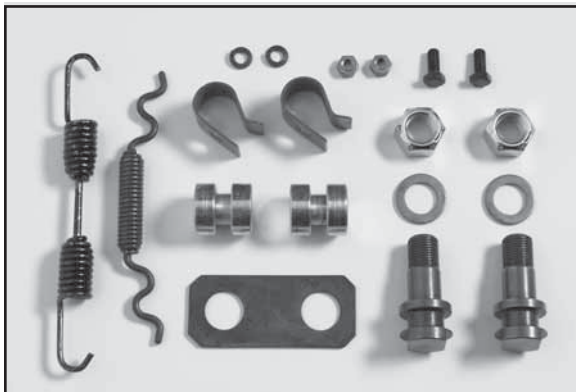
Bendix No.	Description	Qty.
19-922	Retainer Spring	1
19-923	Return Spring	1
32-1464	Cam Roller - Smooth	2

Application

1308E 15 X 4 BENDIX® SAP
1443E 15 X 4 BENDIX® ESII

Steer axle brakes

Kit Number: HK55



Bendix No.	Description	Qty.
15-562	Anchor Pin	2
19-902	Return Spring	1
19-903	Retainer Spring	1
19-920	Hold Down Assembly	2
32-1464	Cam Roller - Smooth	2
34-1551	Anchor Pin Hex Nut	2
34-1561	Anchor Pin Plate	1
34-1562	Anchor Pin Washer	2

Application

1307Q 15 X 3½ ROCKWELL Q
1308Q 15 X 4 ROCKWELL / MERITOR Q
1308Q 15 X 4 BENDIX® FC

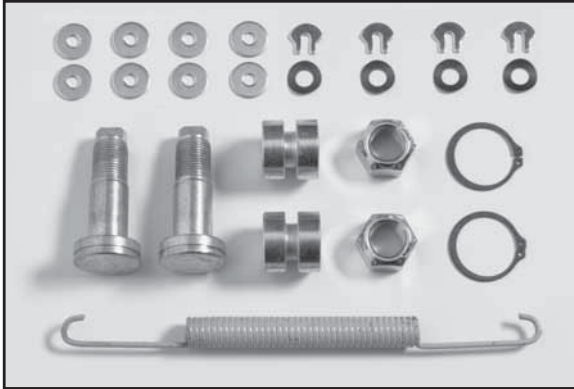
Steer axle brakes



BRAKE HARDWARE KITS

BW7258

Kit Number: HK56



Bendix No.	Description	Qty.
15-555	Anchor Pin	2
19-890	Return Spring	1
19-892A	Hold Down Assembly	4
32-1462	Cam Roller - Smooth	2
34-1550	Anchor Pin Lock	2
34-1551	Anchor Pin Hex Nut	2

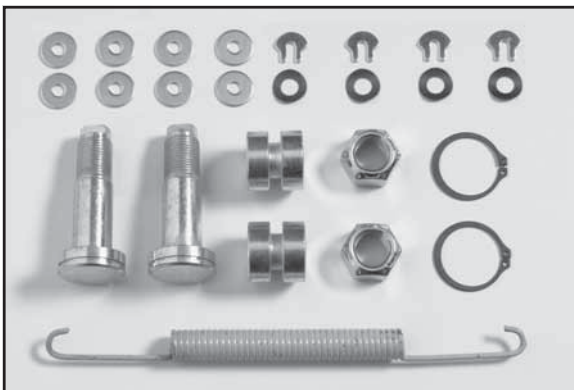
Application

235-1245 15 X 3

WAGNER

Steer axle brakes

Kit Number: HK57



Bendix No.	Description	Qty.
15-556	Anchor Pin	2
19-890	Return Spring	1
19-892A	Hold Down Assembly	4
32-1462	Cam Roller - Smooth	2
34-1550	Anchor Pin Lock	2
34-1551	Anchor Pin Hex Nut	2

Application

463-1280 15 X 3 1/2

WAGNER

Steer axle brakes

BW7258

BRAKE HARDWARE KITS



Kit Number: HK58XLS



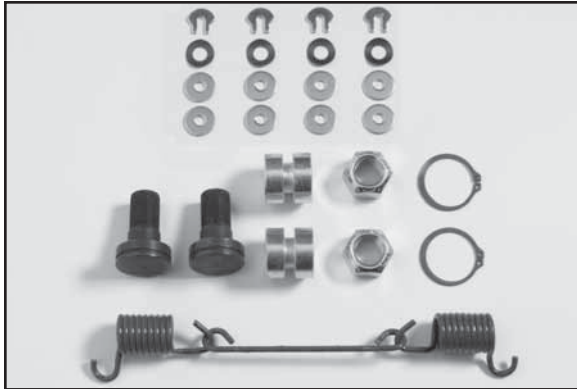
Bendix No.	Description	Qty.
15-542	Anchor Pin	2
16-563	Anchor Pin Bushing - Stainless Steel	2
19-862	Return Spring - Heavy Duty	1
19-941	Retainer Spring - 12 ¹ / ₄	2
20-881	Return Spring Pin	2
32-1445	Cam Roller - Knurled	2
32-1446	Cam Roller Pin	2
34-1526	Lockring	2

Application

4692FC 12¹/₄ X 7¹/₂ DEXTER PQ

19-941 replaced by 19-860 in Canada

Kit Number: HK59



Bendix No.	Description	Qty.
15-568	Anchor Pin	2
19-891	Return Spring	1
19-892A	Hold Down Assembly	4
32-1462	Cam Roller - Smooth	2
34-1550	Anchor Pin Lock	2
34-1551	Anchor Pin Hex Nut	2

Application

512 15 X 4 WAGNER

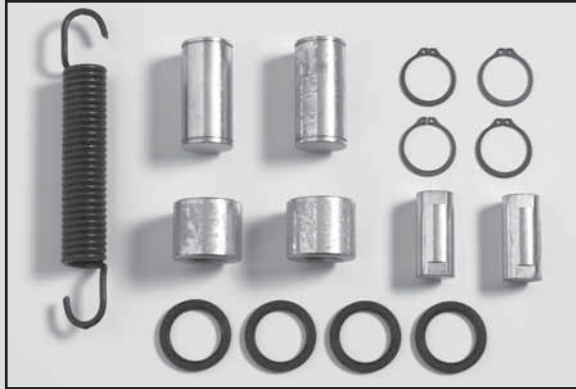
Steer axle brakes



BRAKE HARDWARE KITS

BW7258

Kit Number: HK60



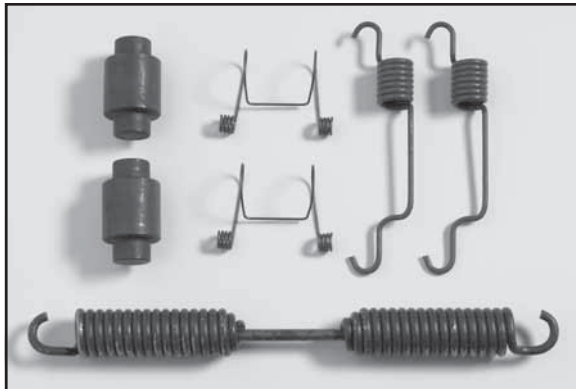
Bendix No.	Description	Qty.
15-541	Anchor Pin	2
19-884	Return Spring	1
32-1460	Cam Roller Pin	2
32-1461	Cam Roller - Smooth	2
34-1525	Camshaft Lockring	4
35-1582	Neoprene Anchor Pin Seal	4

Application

- 380-4596 15 X 6 WAGNER
- 382-4597 15 X 7 WAGNER

Drive axle brake

Kit Number: HK61

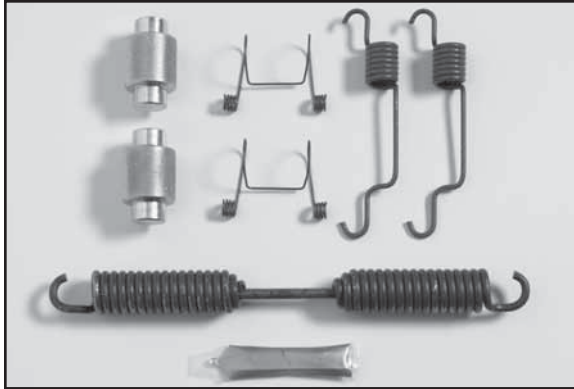


Bendix No.	Description	Qty.
19-915	Return Spring - Heavy Duty	1
19-940	Retainer Spring - 16 ¹ / ₂ & 15	2
32-1490	Cam Roller - Unplated - Smooth	2
34-1570	Cam Roller Retainer	2

Application

- 4709EII 16¹/₂ X 7 BENDIX® ESII
- 4726EII 16¹/₂ X 8⁵/₈ BENDIX® ESII

Kit Number: HK61SD

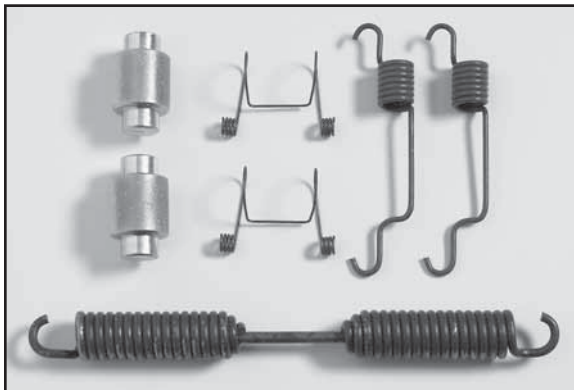


Bendix No.	Description	Qty.
19-915	Return Spring - Heavy Duty	1
19-940	Retainer Spring - 16 ¹ / ₂ & 15	2
32-1471	Cam Roller - Knurled	2
34-1570	Cam Roller Retainer	2
Antiseize	Hw Kit Lubricant	1

Application

4709EII	16 ¹ / ₂ X 7	BENDIX® ESII
4726EII	16 ¹ / ₂ X 8 ⁵ / ₈	BENDIX® ESII

Kit Number: HK61XLS

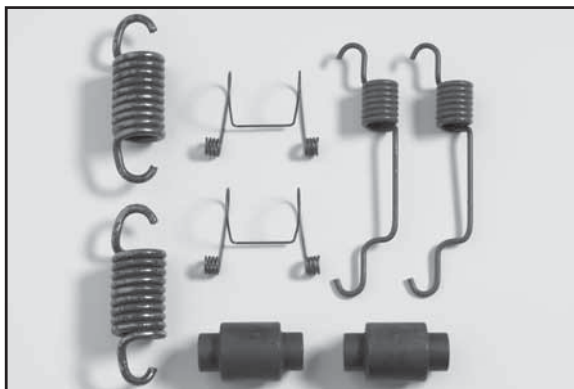


Bendix No.	Description	Qty.
19-915	Return Spring - Heavy Duty	1
19-940	Retainer Spring - 16 ¹ / ₂ & 15	2
32-1471	Cam Roller - Knurled	2
34-1570	Cam Roller Retainer	2

Application

4709EII	16 ¹ / ₂ X 7	BENDIX® ESII
4726EII	16 ¹ / ₂ X 8 ⁵ / ₈	BENDIX® ESII

Kit Number: HK62



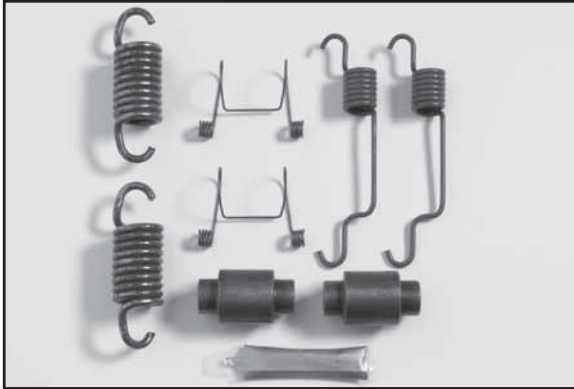
Bendix No.	Description	Qty.
19-924	Return Spring - Heavy Duty	2
19-940	Retainer Spring - 16 ¹ / ₂ & 15	2
32-1490	Cam Roller - Unplated - Smooth	2
34-1570	Cam Roller Retainer	2

Application

4719EII	16 ¹ / ₂ X 5	BENDIX® ESII
4725EII	16 ¹ / ₂ X 6	BENDIX® ESII

Front axle brakes

Kit Number: HK62SD



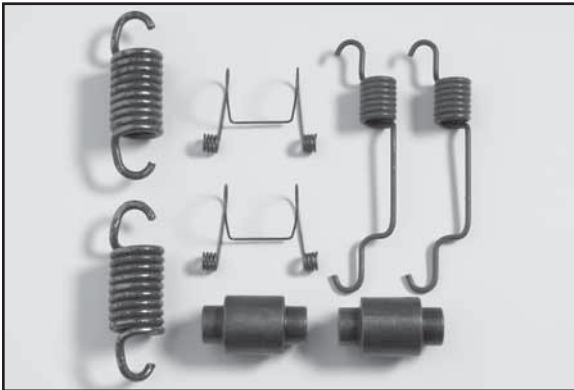
Bendix No.	Description	Qty.
19-924	Return Spring - Heavy Duty	2
19-940	Retainer Spring - 16 $\frac{1}{2}$ & 15	2
32-1471	Cam Roller - Knurled	2
34-1570	Cam Roller Retainer	2
Antiseize	Hw Kit Lubricant	1

Application

4719EII	16 $\frac{1}{2}$ X 5	BENDIX® ESII
4725EII	16 $\frac{1}{2}$ X 6	BENDIX® ESII

Front axle brakes

Kit Number: HK62XLS



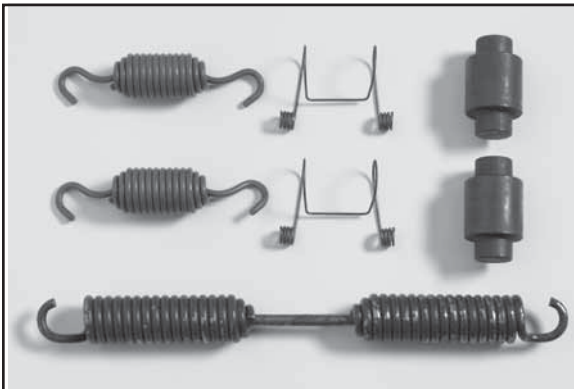
Bendix No.	Description	Qty.
19-924	Return Spring - Heavy Duty	2
19-940	Retainer Spring - 16 $\frac{1}{2}$ & 15	2
32-1471	Cam Roller - Knurled	2
34-1570	Cam Roller Retainer	2

Application

4719EII	16 $\frac{1}{2}$ X 5	BENDIX® ESII
4725EII	16 $\frac{1}{2}$ X 6	BENDIX® ESII

Front axle brakes

Kit Number: HK63

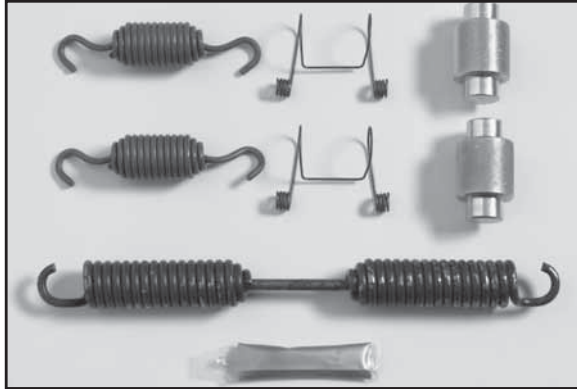


Bendix No.	Description	Qty.
19-859	Retainer Spring	2
19-915	Return Spring - Heavy Duty	1
32-1490	Cam Roller - Unplated - Smooth	2
34-1570	Cam Roller Retainer	2

Application

4709	16 $\frac{1}{2}$ X 7	BENDIX® ES
4719	16 $\frac{1}{2}$ X 5	BENDIX® ES
4725	16 $\frac{1}{2}$ X 5	BENDIX® ES

Kit Number: HK63SD

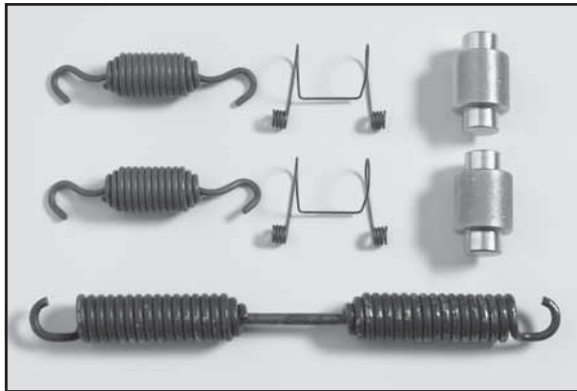


Bendix No.	Description	Qty.
19-859	Retainer Spring	2
19-915	Return Spring - Heavy Duty	1
32-1471	Cam Roller - Knurled	2
34-1570	Cam Roller Retainer	2
Antiseize	Hw Kit Lubricant	1

Application

4709	16½ X 7	BENDIX® ES
4719	16½ X 5	BENDIX® ES
4725	16½ X 5	BENDIX® ES

Kit Number: HK63XLS

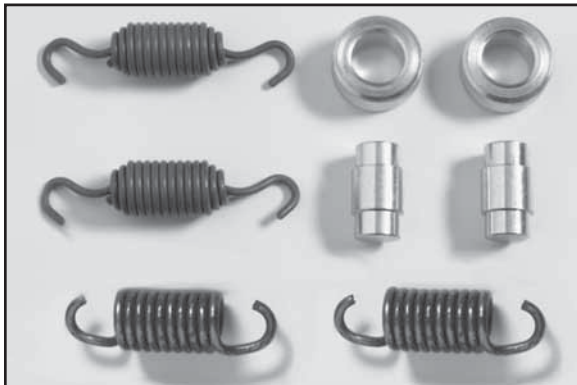


Bendix No.	Description	Qty.
19-859	Retainer Spring	2
19-915	Return Spring - Heavy Duty	1
32-1471	Cam Roller - Knurled	2
34-1570	Cam Roller Retainer	2

Application

4709	16½ X 7	BENDIX® ES
4719	16½ X 5	BENDIX® ES
4725	16½ X 5	BENDIX® ES

Kit Number: HK64XLS



Bendix No.	Description	Qty.
19-859	Retainer Spring	2
19-875	Return Spring	1
32-1441A	Cam Roller - Knurled	2
32-1442A	Cam Roller Pin	2

Application

4223E	16½ X 5	BENDIX® SAP
4317E	16½ X 6	BENDIX® SAP

Longer center bar on return spring to allow for additional spindle clearance
 Longer center bar on return spring to allow for additional spindle clearance
 Applicable on "heavy duty" steer axle applications where horse collar is used

Kit Number: HK65SD



Bendix No.	Description	Qty.
12-403	Cotter Pin	1
15-536	Anchor Pin	2
16-700	Anchor Pin Bushing - Dimpled Stainless Steel	2
19-860	Return Spring	2
19-930	Return Spring - Heavy Duty	1
20-881	Return Spring Pin	2
32-1428	Cam Roller - Knurled	2
34-1570	Cam Roller Retainer	2
Antiseize	Hw Kit Lubricant	1

Application

4708XEM 16½ X 7 FRUEHAUF "XEM"
 4708XEM 16½ X 7 BENDIX® ESII FOR

Kit Number: HK67SD



Bendix No.	Description	Qty.
15-542	Anchor Pin	2
16-700	Anchor Pin Bushing - Dimpled Stainless Steel	2
19-860	Return Spring	2
19-930	Return Spring - Heavy Duty	1
20-881	Return Spring Pin	2
32-1428	Cam Roller - Knurled	2
34-1570	Cam Roller Retainer	2
Antiseize	Hw Kit Lubricant	1

Application

4708Q 16½ X 7 ROCKWELL "Q"
 4708Q 16½ X 7 BENDIX® ESII FOR

Steer axle brakes

Kit Number: HK67XLS



Bendix No.	Description	Qty.
15-542	Anchor Pin	2
16-700	Anchor Pin Bushing - Dimpled Stainless Steel	2
19-860	Return Spring	2
19-930	Return Spring - Heavy Duty	1
20-881	Return Spring Pin	2
32-1428	Cam Roller - Knurled	2
34-1570	Cam Roller Retainer	2

Application

4708Q 16½ X 7 ROCKWELL "Q"
 4708Q 16½ X 7 BENDIX® ESII FOR

BW7258

BRAKE HARDWARE KITS



Kit Number: HK68



Bendix No.	Description	Qty.
15-532	Anchor Pin	2
19-865	Return Spring	1
23-1026	Brake Shoe Bushing	4
32-1458	Cam Roller - Smooth	2
34-1525	Camshaft Lockring	4
34-1539	Anchor Pin Lock Screw	2
34-1565	Spring Retainer	2
35-1582	Neoprene Anchor Pin Seal	4

Application

4471B 18 X 7 ROCKWELL CAST

Kit Number: HK69XLS



Bendix No.	Description	Qty.
15-527	Anchor Pin	2
16-563	Anchor Pin Bushing - Stainless Steel	2
19-930	Return Spring - Heavy Duty	1
20-881	Return Spring Pin	2
32-1428	Cam Roller - Knurled	2
34-1525	Camshaft Lockring	4
34-1570	Cam Roller Retainer	2
35-1580	Anchor Pin Washer	4

Application

4708P 16½ X 7 ROCKWELL "P"

Kit Number: HK70



Bendix No.	Description	Qty.
15-563	Anchor Pin	1
19-904	Return Spring	1
19-905	Retainer Spring	2
32-1479	Cam Roller - Smooth	2
32-1480	Cam Roller Pin	2

Application

4693 15 X 4 BENDIX

Ford Cargo, front drum brake



BRAKE HARDWARE KITS

BW7258

Kit Number: HK71



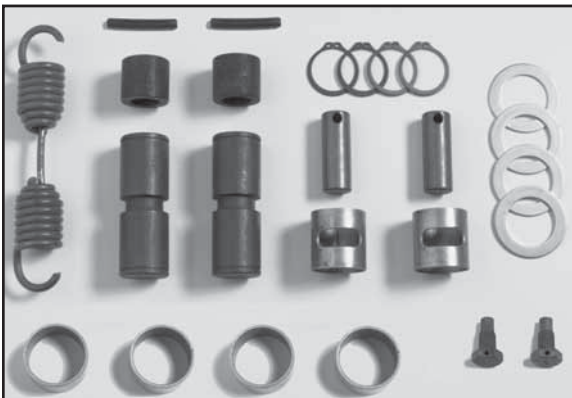
Bendix No.	Description	Qty.
15-564	Anchor Pin	2
16-566	Anchor Pin Bushing	2
19-906	Return Spring	1
19-907	Retainer Spring	2
20-881	Return Spring Pin	2
32-1479	Cam Roller - Smooth	2
32-1480	Cam Roller Pin	2

Application

4515E 16½ X 7 BENDIX

Truck and tractor brake

Kit Number: HK72

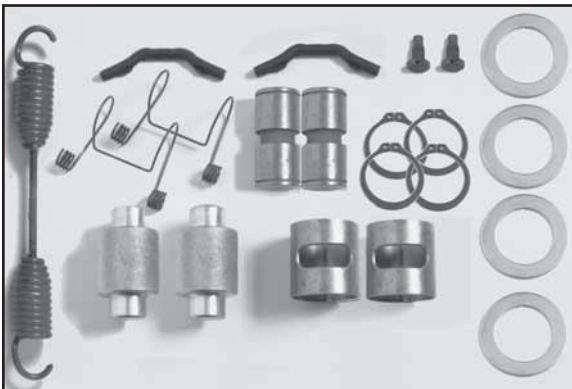


Bendix No.	Description	Qty.
15-602	Anchor Pin	2
16-562	Anchor Pin Bushing	2
16-701	Shoe Bushing	4
19-939	Return Spring	1
32-1563	Cam Roller	2
32-1564	Cam Roller Pin	2
34-1525	Camshaft Lockring	4
34-1583	Lock Screw	2
34-1584	Lock Pin	2
35-1580	Anchor Pin Washer	4

Application

4708H 16½ X 7 BENDIX® CAST

Kit Number: HK73

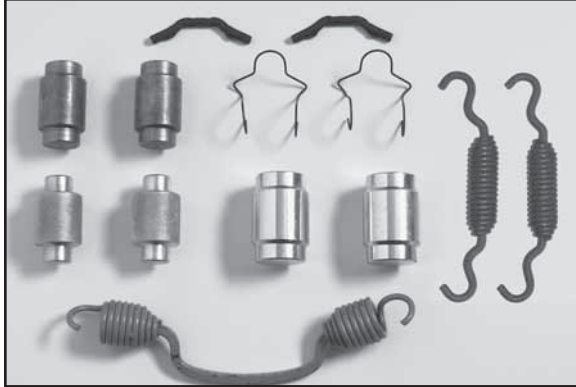


Bendix No.	Description	Qty.
15-603	Anchor Pin	2
16-562	Anchor Pin Bushing	2
19-954	Return Spring	1
20-881	Return Spring Pin	2
32-1425	Cam Roller - Smooth	2
34-1525	Camshaft Lockring	4
34-1570	Cam Roller Retainer	2
34-1583	Lock Screw	2
35-1580	Anchor Pin Washer	4

Application

4708M 16½ X 7 BENDIX® SEVERE DUTY

Kit Number: HK74XLS



Bendix No.	Description	Qty.
15-542	Anchor Pin	2
16-563	Anchor Pin Bushing - Stainless Steel	2
19-860	Return Spring	2
19-950	Return Spring - Heavy Duty	1
20-881	Return Spring Pin	2
32-1428	Cam Roller - Knurled	2
34-1532	Cam Roller Retainer - Rockwell	2

Application

4514Q	16½ X 6	ROCKWELL / MERITOR Q
4514Q	16½ X 6	BENDIX® FC
4524Q	16½ X 5	ROCKWELL / MERITOR Q
4524Q	16½ X 5	BENDIX® FC
4715R	16½ X 6	ROCKWELL / MERITOR Q PLUS
4715R	16½ X 6	BENDIX® XTRALIFE II
4720R	16½ X 5	ROCKWELL / MERITOR Q PLUS
4720R	16½ X 5	BENDIX® XTRALIFE II

Return spring has offset to clear hub for use with steer axle brakes

Kit Number: HK75SD



Bendix No.	Description	Qty.
15-532	Anchor Pin	2
19-853	Return Spring - Heavy Duty	1
20-881	Return Spring Pin	2
23-1026	Brake Shoe Bushing	4
32-1428	Cam Roller - Knurled	2
34-1525	Camshaft Lockring	4
34-1532	Cam Roller Retainer - Rockwell	2
34-1539	Anchor Pin Lock Screw	2
35-1582	Neoprene Anchor Pin Seal	4
Antiseize	Hw Kit Lubricant	1

Application

4515M	16½ X 7	MACK FABRICATED
-------	---------	-----------------

For use on fabricated shoes with bushed anchor pin holes and 1¼" cam rollers

Kit Number: HK76

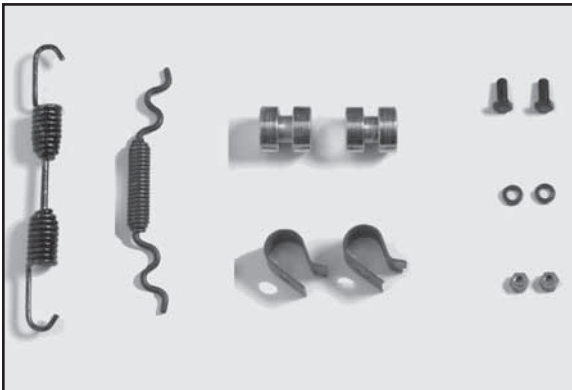


Bendix No.	Description	Qty.
15-532	Anchor Pin	2
16-562	Anchor Pin Bushing	2
19-878	Return Spring	1
23-1026	Brake Shoe Bushing	4
32-1458	Cam Roller - Smooth	2
34-1525	Camshaft Lockring	4
34-1539	Anchor Pin Lock Screw	2
35-1582	Neoprene Anchor Pin Seal	4

Application

4669D 18 X 7 ROCKWELL CAST IRON

Kit Number: HK77



Bendix No.	Description	Qty.
19-902	Return Spring	1
19-903	Retainer Spring	1
19-920	Hold Down Assembly	2
32-1464	Cam Roller - Smooth	2

Application

1307Q 15 X 3 1/2 ROCKWELL Q
 1308Q 15 X 4 ROCKWELL / MERITOR Q
 1308Q 15 X 4 BENDIX® FC

Steer axle brakes

Kit Number: HK80XLS



Bendix No.	Description	Qty.
15-542	Anchor Pin	2
16-563	Anchor Pin Bushing - Stainless Steel	2
19-860	Return Spring	2
19-913	Return Spring	1
20-881	Return Spring Pin	2
32-1428	Cam Roller - Knurled	2
34-1529	Cam Roller Retainer	2

Application

4514Q 16 1/2 X 6 ROCKWELL / MERITOR Q
 4514Q 16 1/2 X 6 BENDIX® FC
 4524Q 16 1/2 X 5 ROCKWELL / MERITOR Q
 4524Q 16 1/2 X 5 BENDIX® FC

Steer axle brakes

Kit Number: HK81XLS

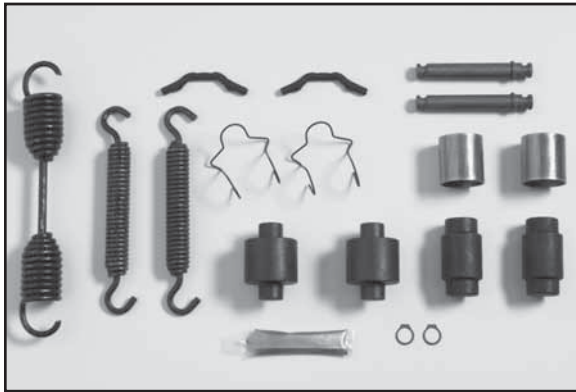


Bendix No.	Description	Qty.
15-542	Anchor Pin	2
16-563	Anchor Pin Bushing - Stainless Steel	2
19-860	Return Spring	2
19-910	Return Spring	1
20-881	Return Spring Pin	2
32-1428	Cam Roller - Knurled	2
34-1529	Cam Roller Retainer	2

Application

4514Q	16½ X 6	ROCKWELL / MERITOR Q
4514Q	16½ X 6	BENDIX® FC
4524QM	16½ X 5	ROCKWELL / MERITOR Q
4524QM	16½ X 5	BENDIX® FC

Steer axle brakes

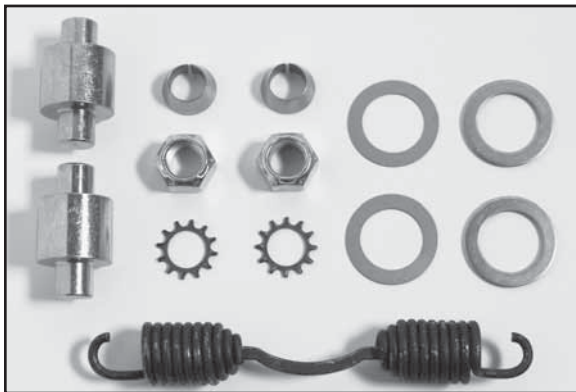


Kit Number: HK82SD

Bendix No.	Description	Qty.
15-565	Anchor Pin	2
16-700	Anchor Pin Bushing - Dimpled Stainless Steel	2
19-853A	Return Spring - Heavy Duty	1
19-900	Retainer Spring	2
20-881	Return Spring Pin	2
20-886	Return Spring Pin	2
29-1342	Spring Retainer Lock Ring	2
32-1475	Cam Roller - Smooth	2
34-1532	Cam Roller Retainer - Rockwell	2
Antiseize	HW Kit Lubricant	1+

Application

4515QM	16½ X 7	ROCKWELL MACK STYLE
--------	---------	---------------------



Kit Number: HK83

Bendix No.	Description	Qty.
16-703	Anchor Pin Bushing	2
19-953	Return Spring	1
29-1404	Camshaft Washer	2
29-1407	Camshaft Washer	2
29-1408	Lock Washer	2
32-1561	Shoe Roller	2
51-1020	Anchor Pin Nut	2

Application

4592A	14½ X 10	ROCKWELL COACH
-------	----------	----------------

Drive axle brakes

"10" Series brake shoe, type 1 and 3

Kit Number: HK84



Bendix No.	Description	Qty.
15-601	Anchor Pin	2
16-702	Anchor Pin Bushing	2
19-953	Return Spring	1
29-1405	Snap Ring	4
32-1562	Cam Roller	2
34-1585	Bolt	2

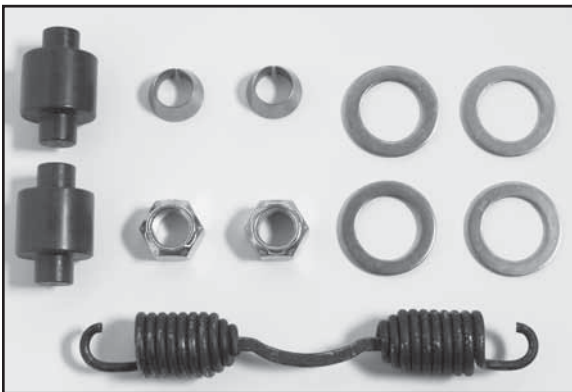
Application

4592A 14½ X 10 ROCKWELL COACH

Drive axle brakes

"10" Series brake shoe, type 2

Kit Number: HK85



Bendix No.	Description	Qty.
16-703	Anchor Pin Bushing	2
19-953	Return Spring	1
29-1402	Camshaft Washer	2
29-1403	Camshaft Washer	2
32-1575	Shoe Roller	2
51-1020	Anchor Pin Nut	2

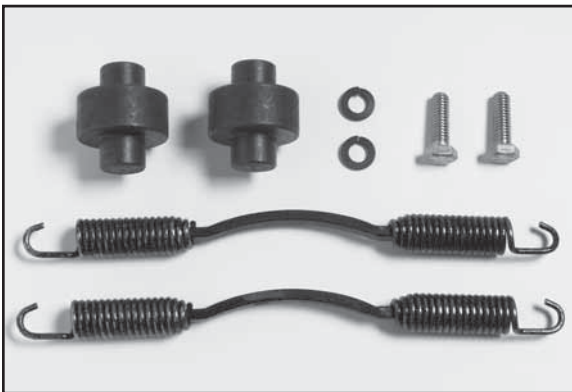
Application

4541B 14½ X 8 ROCKWELL COACH

Drive axle brakes

"8" Series brake shoe, type 1

Kit Number: HK86



Bendix No.	Description	Qty.
19-952	Return Spring	2
29-1401	Lock Washer	2
29-1409	Lock Bolt	2
32-1560	Shoe Roller	2

Application

4398B 14½ X 5 ROCKWELL COACH

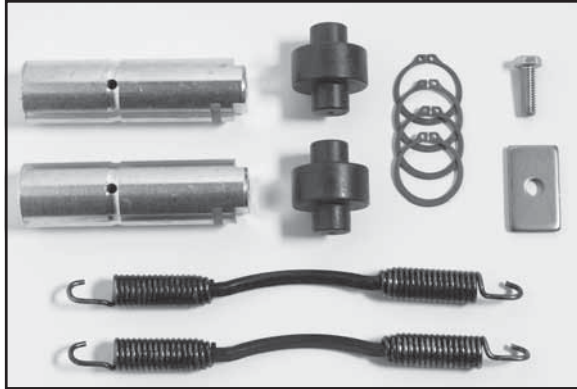
Steer axle brakes

BW7258

BRAKE HARDWARE KITS



Kit Number: HK87



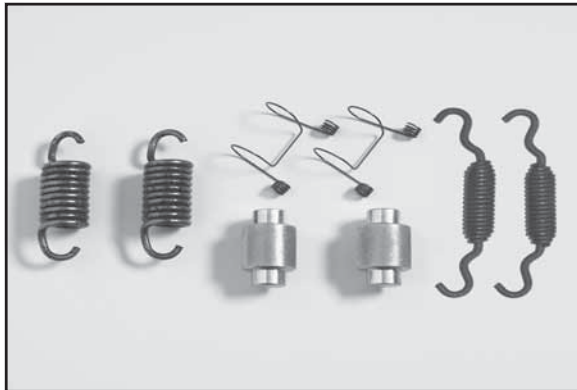
Bendix No.	Description	Qty.
15-600	Anchor Pin	2
19-952	Return Spring	2
29-1409	Lock Bolt	1
30-1400	Lock Plate	1
32-1560	Shoe Roller	2
34-1525	Camshaft Lockring	4

Application

4227G 14½ X 4 ROCKWELL COACH
 4228B 14½ X 6 ROCKWELL COACH

Steer axle brakes

Kit Number: HK90XLS



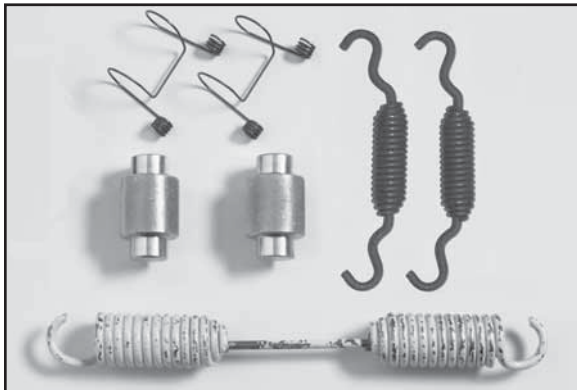
Bendix No.	Description	Qty.
19-860	Return Spring	2
19-924	Return Spring - Heavy Duty	2
32-1471	Cam Roller - Knurled	2
34-1570	Cam Roller Retainer	2

Application

4716EII 15 X 6 BENDIX® REDUCED ENVELOPE

Steer axle brakes

Kit Number: HK91XLS



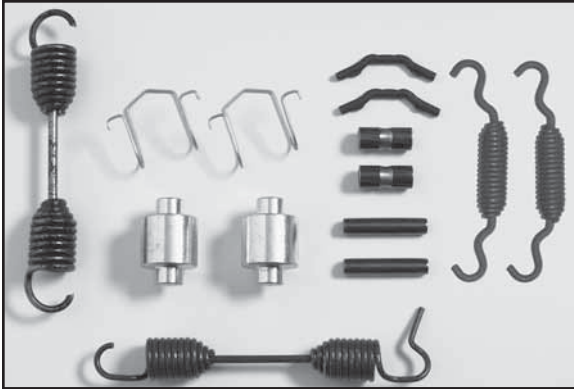
Bendix No.	Description	Qty.
19-860	Return Spring	2
19-925	Return Spring - Heavy Duty	1
32-1471	Cam Roller - Knurled	2
34-1570	Cam Roller Retainer	2

Application

4717EII 15 X 8⅝ BENDIX® REDUCED ENVELOPE

Drive axle brakes

Kit Number: HK95XLS



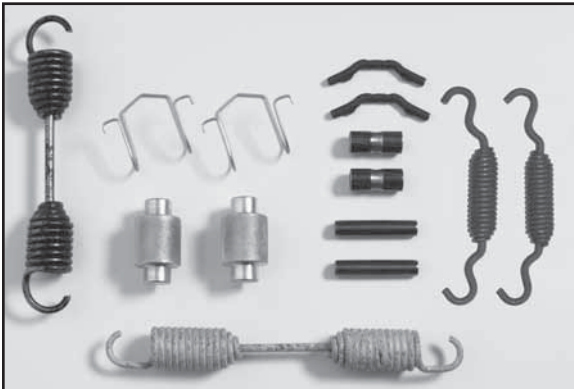
Bendix No.	Description	Qty.
19-853	Return Spring - Heavy Duty	1
19-860	Return Spring	2
19-934	Return Spring	1
20-881	Return Spring Pin	2
20-887	Return Spring Pin	2
20-888	Return Spring Pin	2
32-1427	Cam Roller - Smooth	2
34-1529	Cam Roller Retainer	2

Application

4514HA	16½ X 6	BENDIX® HEAVY AXLE
4515HA	16½ X 7	BENDIX® HEAVY AXLE
4524HA	16½ X 5	BENDIX® HEAVY AXLE
4693HA	15 X 4	BENDIX® HEAVY AXLE

Drive axle brakes

Kit Number: HK96XLS

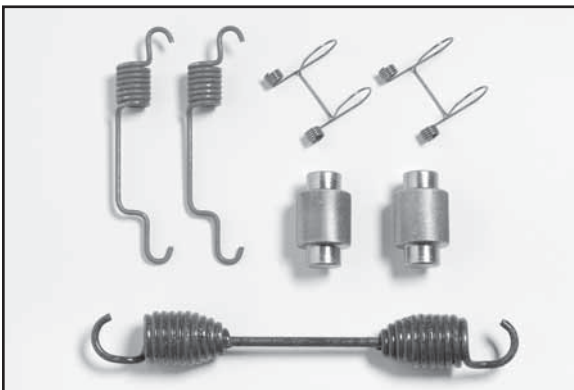


Bendix No.	Description	Qty.
19-853	Return Spring - Heavy Duty	1
19-860	Return Spring	2
19-935	Return Spring	1
20-881	Return Spring Pin	2
20-887	Return Spring Pin	2
20-888	Return Spring Pin	2
32-1428	Cam Roller - Knurled	2
34-1529	Cam Roller Retainer	2

Application

4701HA	16½ X 7	BENDIX® HEAVY AXLE
--------	---------	--------------------

Kit Number: HK97XLS



Bendix No.	Description	Qty.
19-940	Retainer Spring - 16½ & 15	0
19-956	RETURN SPRING	1
32-1471	Cam Roller - Knurled	2
34-1570	Cam Roller Retainer	2

Application

4729EII	15 X 4	BENDIX® ESII
---------	--------	--------------

SUPERSESSION LIST



Previous Number	New Number	Previous Number	New Number
1308-10A	1308ERED	29AC	HK29
1308EMB21	1308ERED	29XL	HK32SD
1308QMB21	1308QRED	30A	HK29
1308TMB21	1308TRED	30AC	HK29XLS
14-2A	HK14XLS	30A-HD	HK29XLS
14-3A	HK14XLS	30AR	HK29
1443EMB21	1443E410	30ARC	HK29XLS
1443ERED	1443E600	31-1A	HK31XLS
14-4A	HK14XLS	314147	HK61
14A	HK14SD	314148	SB4709EII420
16-1A	HK16SD	314149	SB4709EII410
16-3A	HK16XLS	314150	SB4709EII420
16-4A	HK16XLS	314151	SB4709EII600
16A	HK16XLS	314153	SB4709EII1160
17-1A	HK17XLS	314156	SB4719EII420
18A	HK17XLS	314157	SB4719EII420
19-2A	HK75SD	314158	SB4719EII420
19-3A	HK19SD	314168	SB4725EII420
20A	HK22XLS	314169	SB4725EII410
22A	HK22XLS	314170	SB4725EII420
24-1A	HK24XLSLM	314174	SB4725EII1160
24-1ABULK	HK24XLSLM-BULK	314181	SB4726EII420
24-1SS	HK24SDLM	314182	SB4726EII600
24A	HK24XLSLM	314390	SB4709EII410
24ABULK	HK24XLSLM-BULK	314419	SB4719EII420
24A-BULK	HK24XLSLM-BULK	314425	SB4725EII1160
26A	HK26	314966	SB1443E410
27A	HK27	317202	SB1443E420
28-1A	HK29	317688	SB4719EII420
28-1ABULK	HK29-BULK	317690	SB4719EII420
28-1AR	HK29	317694	SB4719EII1160
28-1ARBULK	HK29-BULK	317696	SB4725EII410
28A	HK29	317697	SB4725EII420
29-1A	HK29XLS	317698	SB4725EII600
29-1ABULK	HK29XLS-BULK	317701	SB4725EII1160
29-1A-BULK	HK29XLS-BULK	317702	SB4725EII1160
29-1AC	HK29XLS	318278	SB4717EII310
29-1AR	HK29XLS	326517	SB4729EII600
29-1ARBULK	HK29XLS-BULK	326518	SB4729EII440
29-1ARC	HK29XLS	34-1A	HK34XLS
29A	HK29	34-1ABULK	HK34XLS-BULK



SUPERSESSION LIST

BW7248

Previous Number	New Number	Previous Number	New Number
34-1AC-BULK	HK34XLS-BULK	4515X3MB23	4515X3YEL
34-2A	HK34XLS	4515X3ORANGE	4515X3ORG
34A	HK34SD	4515X3YELLOW	4515X3YEL
34ABULK	HK34XLS-BULK	4524HABRZ	4524HAYEL
34A-BULK	HK34XLS-BULK	4524HARED	4524HAYEL
38A	HK38	4524HAYELLOW	4524HAYEL
38AR	HK38	4524QBRZ	4524QORG
38AR-HD	HK38XLS	4524QMBRZ	4524QMRED
40A	HK40	4524QMYEL	4524QMRED
41A	HK41	4524QORANGE	4524QORG
42A	HK45XLS	4524QYELLOW	4524QYEL
4311EBLUE	4311EBLU	4536FCIIBLU	4536FCIRED
4311ESILVER	4311ESIL	4551QMB21	4551QSIL
4311EYELLOW	4311EYEL	45A	HK45XLS
43A	HK43XLS	46-1A	HK46
44A	HK44XLS	4661FCIIBLU	4661FCIRED
4514HARED	4514HAGLD	4661QRED	4661FCIRED
4514QBLU	4514QRED	4692FCIIBLU	4692FCIRED
4515HABLU	4515HARED	4692QRED	4692FCIRED
4515HAYEL	4515HARED	4693HAMB21	4693HARED
4515P197	4515PBLU	46A	HK46
4515P931	4515PRED	4701HABLU	4701HAYEL
4515PBLUE	4515PBLU	4701HAMB21	4701HAYEL
4515PBRZ	4515PYEL	4701QBLU	4701QYEL
4515PGRN	4515PSIL	4701QMB21	4701QYEL
4515PMB21	4515PSIL	4702RMB21	4702R420
4515PMB23	4515PYEL	4702RRED	4702R600
4515PORG	4515PYEL	4702RYEL	4702R600
4515PSILVER	4515PSIL	4707R197	4707R420
4515PYELLOW	4515PYEL	4707RBLUE	4707RBLU
4515QBLUE	4515QBLU	4707RMB21	4707RSIL
4515QBRONZE	4515QBRZ	4707RMB23	4707RRED
4515QMB23	4515QYEL	4707RYELLOW	4707RYEL
4515QORANGE	4515QORG	4709EBLU	4709EIIIBLU
4515QSILVER	4515QSIL	4709EII931	4709EII600
4515QYELLOW	4515QYEL	4709EIIBLUE	4709EIIIBLU
4515X3197	4515X3BLU	4709EIIIBRZ	4709EII1100
4515X3931	4515X3RED	4709EIIIMB21	4709EII410
4515X3BLUE	4515X3BLU	4709EIIORG	4709EII1160
4515X3BRONZE	4515X3BRZ	4709EIIISILVER	4709EIIISIL
4515X3MB21	4515X3SIL	4709ERED	4709EIIRED

SUPERSESSION LIST



Previous Number	New Number	Previous Number	New Number
4710R197	4710R310	70-1A	HK70
4710RMB21	4710R310	70A	HK70
4710RRED	4710R310	71-1A	HK71
4710RYEL	4710R310	71A	HK71
4719EIIRED	4719EII600	805896	4311EBLU
47-1A	HK49-150	807856	4709EII420
4725EII1241	4725EII1160	808877	4311EYEL
4725EIIRED	4725EII600	80A	HK80XLS
4726EIIRED	4726EII600	810212	SB4708H1100
47A	HK47XLS-125	810522	4708H1100
47B	HK47XLS-150	811548	4709EII600
48A	HK48XLS-125	811549	4709EII600
48B	HK48XLS-150	811745	SB1443E420
49A	HK49-125	812074	4726EII600
50-1A	HK56	812075	4726EII600
50-2A	HK57	812088	4719EII420
50A	HK56	812118	HK73
51-1A	HK51	812119	SB4708M600
51-2A	HK50	815625	SB4717EII310
51A	HK50	815626	HK91XLS
5-2242	HK54	818212	4725EII410
5-2243	HK24XLSLM	818218	4709EII420
52A	HK52	818251	4719EII420
53-1A	HK53	818255	4726EII420
53-2A	HK59	818298	4725EII1160
5-3319	HK67SD	818569	1443E410
5-3321	HK65SD	818570	1443E420
54A	HK54	818632	4709EII420
55-1A	HK77	819199	4709EII410
55A	HK55	819259	4708Q410
5-808330	HK63XLS	819316	4726EII420
5-810213	HK72	819318	4719EII420
60-1A	HK60	819320	4719EII420
60A	HK60	819326	4725EII410
63-1A	HK61	819327	4725EII420
63-2A	HK62	819329	4725EII1160
63A	HK63	819615	4725EII1160
65A	HK65SD	819616	4725EII1160
67A	HK67XLS	819746	4709EII1160
68A	HK68	819752	4719EII420
69A	HK69XLS	819754	4719EII420



SUPERSESSION LIST

BW7248

Previous Number	New Number	Previous Number	New Number
819755	4719EII420	EXAA4311ERED	EX4311ERED
819756	4719EII600	EXAA4514QRED	EX4514QRED
819762	4725EII410	EXAA4515PBLUE	EX4515PBLU
819763	4725EII410	EXAA4515PRED	EX4515PRED
819764	4725EII420	EXAA4515QBLUE	EX4515QBLU
819765	4725EII420	EXAA4515QBRONZE	EX4515QBRZ
819766	4725EII600	EXAA4515QORANGE	EX4515QORG
819772	4709EII410	EXAA4515QRED	EX4515QRED
819774	4709EII420	EXAA4515X3BLUE	EX4515X3BLU
819775	4709EII420	EXAA4515X3BRONZE	EX4515X3BRZ
819776	4709EII600	EXAA4515X3ORANGE	EX4515X3ORG
819784	4726EII420	EXAA4515X3RED	EX4515X3RED
819785	4726EII420	EXAA4524QMRED	EX4524QMRED
819786	4726EII600	EXAA4524QORANGE	EX4524QORG
819789	4726EII600	EXAA4524QRED	EX4524QRED
81A	HK81XLS	EXAA4551QBLUE	EX4551QBLU
824904	SB4709EII420	EXAA4551QRED	EX4551QRED
825170	SB4708XEM420	EXAA4702RRED	EX4702RRED
825171	SB4708Q420	EXAA4707RBLUE	EX4707RBLU
825172	SB4708P420	EXAA4707RORANGE	EX4707RORG
825651	SB4726EII420	EXAA4707RRED	EX4707RRED
82A	HK82SD	EXQA4311ESILVER	EX4311ESIL
90A	HK90XLS	EXQA4311EYELLOW	EX4311EYEL
91A	HK91XLS	EXQA4515PSILVER	EX4515PSIL
95A	HK95XLS	EXQA4515PYELLOW	EX4515PYEL
96A	HK96XLS	EXQA4515QSILVER	EX4515QSIL
974110	4709SII1100	EXQA4515QYELLOW	EX4515QYEL
974236	4716EII310	EXQA4515X3YELLOW	EX4515X3YEL
974238	4717EII310	EXQA4524QYELLOW	EX4524QYEL
974587	4729EII600	EXQA4551QSILVER	EX4551QSIL
974848	4729EII440	EXQA4707RSILVER	EX4707RSIL
EB974587	4729EII600	EXQA4707RYELLOW	EX4707RYEL
EX4514QBLU	EX4514QRED	EXXAA4514QRED	EX4514QRED
EX4709EBLU	EX4709EIIBLU	HK66XLS	HK29XLS
EX4709ERED	EX4709EIIRED	K1308-10A	SB1308ERED
EXAA1308QRED	EX1308QRED	K1308-10B	SB1308ERED
EXAA1308TRED	EX1308TRED	K4223-29B	SB4223ERED
EXAA1443ERED	EX1443ERED	K4223-30A	SB4223ERED
EXAA4311EBLUE	EX4311EBLU	K4223-30B	SB4223EBLU
EXAA4311EBRONZE	EX4311EBRZ	K4311-21A	SB4311EBLU
EXAA4311EORANGE	EX4311EORG	K4311-21B	SB4311ESIL

SUPERSESSION LIST



Previous Number	New Number	Previous Number	New Number
K4311-32A	SB4311EBLU	KTEAA4524QORANGE	KT4524QORG
K4311-32B	SB4311ESIL	KTEAA4551QBLUE	KT4551QBLU
K4317-26A	SB4317ERED	KTEAA4551QRED	KT4551QRED
K4317-26B	SB4317ERED	KTEAA4702RRED	KT4702RRED
K4317-28A	SB4317ERED	KTEAA4707RBLUE	KT4707RBLU
K4317-28B	SB4317ERED	KTEAA4707RORANGE	KT4707RORG
K4514-13A	SB4514QRED	KTEAA4707RRED	KT4707RRED
K4514-13B	SB4514QRED	KTEQA4311EGREEN	KT4311EGRN
K4515-15A	SB4515QBLU	KTEQA4311ESILVER	KT4311ESIL
K4515-20A	SB4515X3BLU	KTEQA4311EYELLOW	KT4311EYEL
K4591-24B	SB4591SRED	KTEQA4515PSILVER	KT4515PSIL
K809420	SB4708XEM420	KTEQA4515PYELLOW	KT4515PYEL
K809423	SB4708P420	KTEQA4515QSILVER	KT4515QSIL
K809426	SB4708Q420	KTEQA4515QYELLOW	KT4515QYEL
K809558	SB4709EII420	KTEQA4515X3SILVER	KT4515X3SIL
K811477	SB1443E420	KTEQA4515X3YELLOW	KT4515X3YEL
K811600	SB4709EII1100	KTEQA4524QYELLOW	KT4524QYEL
K811816	SB4708Q600	KTEQA4551QSILVER	KT4551QSIL
K815419	SB4717EII310	KTEQA4707RSILVER	KT4707RSIL
KT4514QBLU	KT4514QRED	KTEQA4707RYELLOW	KT4707RYEL
KT4709ERED	KT4709EIIRED	SB1308-585RED	SB1308TRED
KTEAA1308ERED	KT1308ERED	SB1308EMB21	SB1308ERED
KTEAA1308QRED	KT1308QRED	SB1308QMB21	SB1308QRED
KTEAA1308TRED	KT1308TRED	SB1308TMB21	SB1308TRED
KTEAA1443ERED	KT1443ERED	SB1443EMB21	SB1443E410
KTEAA4311EBLUE	KT4311EBLU	SB1443ERED	SB1443E600
KTEAA4311EBRONZE	KT4311EBRZ	SB4223ABLU	SB4223ERED
KTEAA4311EORANGE	KT4311EORG	SB4311EBLUE	SB4311EBLU
KTEAA4311ERED	KT4311ERED	SB4311EBRONZE	SB4311EBRZ
KTEAA4514QRED	KT4514QRED	SB4311ESILVER	SB4311ESIL
KTEAA4515PBLUE	KT4515PBLU	SB4311EYELLOW	SB4311EYEL
KTEAA4515PRED	KT4515PRED	SB4514HARED	SB4514HAGLD
KTEAA4515QBLUE	KT4515QBLU	SB4514QBLU	SB4514QRED
KTEAA4515QBRONZE	KT4515QBRZ	SB4515HABLU	SB4515HARED
KTEAA4515QORANGE	KT4515QORG	SB4515HAYEL	SB4515HARED
KTEAA4515QRED	KT4515QRED	SB4515P197	SB4515PBLU
KTEAA4515X3BLUE	KT4515X3BLU	SB4515P931	SB4515PRED
KTEAA4515X3BRONZE	KT4515X3BRZ	SB4515PBLUE	SB4515PBLU
KTEAA4515X3ORANGE	KT4515X3ORG	SB4515PBRZ	SB4515PYEL
KTEAA4515X3RED	KT4515X3RED	SB4515PGRN	SB4515PSIL
KTEAA4524QMRED	KT4524QMRED	SB4515PMB21	SB4515PSIL



SUPERSESSION LIST

BW7248

Previous Number	New Number	Previous Number	New Number
SB4515PMB23	SB4515PYEL	SB4708EIIQ420	SB4708Q420
SB4515PORG	SB4515PYEL	SB4709EBLU	SB4709EIIBLU
SB4515PSILVER	SB4515PSIL	SB4709EII197	SB4709EII420
SB4515PYELLOW	SB4515PYEL	SB4709EII931	SB4709EII600
SB4515QBLUE	SB4515QBLU	SB4709EIIBLUE	SB4709EIIBLU
SB4515QBRONZE	SB4515QBRZ	SB4709EIIBRZ	SB4709EII1100
SB4515QMB23	SB4515QYEL	SB4709EII MB21	SB4709EII SIL
SB4515QSILVER	SB4515QSIL	SB4709EIIORG	SB4709EII1160
SB4515QYELLOW	SB4515QYEL	SB4709EII SILVER	SB4709EII SIL
SB4515X3931	SB4515X3RED	SB4709ERED	SB4709EIIRED
SB4515X3BLUE	SB4515X3BLU	SB4710R197	SB4710R310
SB4515X3BRONZE	SB4515X3BRZ	SB4710RMB21	SB4710R310
SB4515X3MB23	SB4515X3YEL	SB4710RRED	SB4710R310
SB4515X3ORANGE	SB4515X3ORG	SB4710RYEL	SB4710R310
SB4515X3SILVER	SB4515X3SIL	SB4711RBLU	SB4711R420
SB4515X3YELLOW	SB4515X3YEL	SB4719EIIRED	SB4719EII600
SB4524HABRZ	SB4524HAYEL	SB4725EIIRED	SB4725EII600
SB4524HARED	SB4524HAYEL	SB4726EIIRED	SB4726EII600
SB4524HAYELLOW	SB4524HAYEL		
SB4524QBRZ	SB4524QORG		
SB4524QMBRZ	SB4524QMRED		
SB4524QMYEL	SB4524QMRED		
SB4524QORANGE	SB4524QORG		
SB4524QYELLOW	SB4524QYEL		
SB4661FCIIBLU	SB4661FCIRED		
SB4661QRED	SB4661FCIRED		
SB4692QRED	SB4692FCIRED		
SB4693HAMB21	SB4693HARED		
SB4701HABLU	SB4701HAYEL		
SB4701HAMB21	SB4701HAYEL		
SB4701QBLU	SB4701QYEL		
SB4701QMB21	SB4701QYEL		
SB4702RMB21	SB4702R420		
SB4702RRED	SB4702R600		
SB4702RYEL	SB4702R600		
SB4707R197	SB4707R420		
SB4707RBLUE	SB4707RBLU		
SB4707RMB21	SB4707RSIL		
SB4707RMB23	SB4707RRED		
SB4707RSILVER	SB4707RSIL		
SB4707RYELLOW	SB4707RYEL		

CROSS REFERENCE



Manufacturer Number	Manufacturer	Bendix Number	Manufacturer Number	Manufacturer	Bendix Number
1005840	Bendix	1308E	5-2243	Bendix	HK24XLSLM
1006404	Bendix	1308ERED	5-2244	Bendix	HK43XLS
1009000	Bendix	1308ERED	5-2245	Bendix	HK29
122844	Bendix	HK16XLS	5-2246	Bendix	HK31XLS
123209	Bendix	HK16SD	5-3319	Bendix	HK67SD
123574	Bendix	HK16XLS	5-3321	Bendix	HK65SD
123939	Bendix	HK16SD	5-3387	Bendix	HK55
125035	Bendix	HK54	5-3690	Bendix	HK24XLSHM
125400	Bendix	HK24XLSLM	518401	Bendix	HK67SD
125766	Bendix	HK43XLS	519132	Bendix	HK65SD
126131	Bendix	HK29	543238	Bendix	HK55
126496	Bendix	HK31XLS	653907	Bendix	HK24XLSHM
12844	Bendix	HK16XLS	805442	Bendix	4311E
314148	Bendix	SB4709EII420	805676	Bendix	4223E
314149	Bendix	SB4709EII410	805677	Bendix	4223E
314150	Bendix	SB4709EII420	805678	Bendix	4317E
314151	Bendix	SB4709EII600	805679	Bendix	4317E
314181	Bendix	SB4726EII420	805896	Bendix	4311EBLU
314182	Bendix	SB4726EII600	806229	Bendix	4709E
314391	Bendix	SB4708Q410	807684	Bendix	1443E420
314419	Bendix	SB4719EII420	807685	Bendix	1443E
314425	Bendix	SB4725EII1160	807772	Bendix	4708Q
314966	Bendix	SB1443E410	807799	Bendix	4708XEM
317202	Bendix	SB1443E420	807849	Bendix	4708M
317688	Bendix	SB4719EII420	807849	Bendix	4708P
317689	Bendix	SB4719EII420	808877	Bendix	4311EYEL
317690	Bendix	SB4719EII420	809558	Bendix	4709EII420
317691	Bendix	SB4719EII600	810214	Bendix	4708H
317694	Bendix	SB4719EII1160	810517	Bendix	4708H
317695	Bendix	SB4725EII420	811477	Bendix	1443E420
317696	Bendix	SB4725EII410	811548	Bendix	4709EII600
317697	Bendix	SB4725EII420	811549	Bendix	4709EII600
317698	Bendix	SB4725EII600	811745	Bendix	SB1443E420
317701	Bendix	SB4725EII1160	812074	Bendix	4726EII600
317702	Bendix	SB4725EII1160	812075	Bendix	4726EII600
318278	Bendix	SB4717EII310	812088	Bendix	4719EII420
5-2236	Bendix	HK16XLS	812114	Bendix	4708M
5-2237	Bendix	HK16SD	812119	Bendix	4708P600
5-2238	Bendix	HK16XLS	813230E	Bendix	4709EII1160
5-2239	Bendix	HK16SD	815082	Bendix	4717EII310
5-2242	Bendix	HK54	815625	Bendix	SB4717EII310



CROSS REFERENCE

BW7248

Manufacturer Number	Manufacturer	Bendix Number	Manufacturer Number	Manufacturer	Bendix Number
816871	Bendix	4717EII310	819784	Bendix	4726EII420
818163	Bendix	4719EII420	819785	Bendix	4726EII420
818212	Bendix	4725EII410	819786	Bendix	4726EII600
818218	Bendix	4709EII420	819789	Bendix	4726EII600
818251	Bendix	4719EII420	823142	Bendix	SB4716EII310
818253	Bendix	4725EII420	823143	Bendix	SB4716EII310
818255	Bendix	4726EII420	824904	Bendix	SB4709EII420
818298	Bendix	4725EII1160	824906	Bendix	SB4717EII310
818569	Bendix	1443E410	825171	Bendix	SB4708Q420
818570	Bendix	1443E420	825172	Bendix	SB4708P420
818632	Bendix	4709EII420	825651	Bendix	SB4726EII420
819199	Bendix	4709EII410	973696	Bendix	4708Q420
819259	Bendix	4708Q410	973698	Bendix	4708P420
819515	Bendix	4719EII1160	974236	Bendix	4716EII310
819615	Bendix	4725EII1160	974238	Bendix	4717EII310
819616	Bendix	4725EII1160	B1308-10A	Bendix	1308ERED
819617	Bendix	4725EII1160	B1308-25A	Bendix	1308QRED
819618	Bendix	4725EII1160	B1308-25B	Bendix	1308QRED
819705	Bendix	4719EII	B4311-21A	Bendix	4311EBLU
819706	Bendix	4725EII	B4311-21B	Bendix	4311ERED
819707	Bendix	4709EII	B4311-32A	Bendix	4311EBLU
819708	Bendix	4726EII	B4311-32B	Bendix	4311ERED
819716	Bendix	4716EII	B4317-26B	Bendix	4317ERED
819718	Bendix	4717EII	B4317-28B	Bendix	4317ERED
819750	Bendix	4719EII420	B4514-13B	Bendix	4514QRED
819751	Bendix	4719EII420	B4515-15A	Bendix	4515QBLU
819752	Bendix	4719EII420	B4515-15B	Bendix	4515QRED
819754	Bendix	4719EII420	B4515-20A	Bendix	4515X3BLU
819755	Bendix	4719EII420	B4524-11A	Bendix	4524QRED
819756	Bendix	4719EII600	B4591-24B	Bendix	4591SRED
819762	Bendix	4725EII420	B809423	Bendix	4709EII420
819763	Bendix	4725EII410	B809426	Bendix	4708Q420
819764	Bendix	4725EII420	B811477	Bendix	1443E420
819765	Bendix	4725EII420	B811816	Bendix	4708Q600
819766	Bendix	4725EII600	B811817	Bendix	4708P600
819771	Bendix	4709EII420	ES811745	Bendix	SB1443E420
819772	Bendix	4709EII410	K1308-10A	Bendix	SB1308ERED
819774	Bendix	4709EII420	K1308-10B	Bendix	SB1308ERED
819775	Bendix	4709EII420	K1308-25A	Bendix	SB1308ERED
819776	Bendix	4709EII600	K1308-25B	Bendix	SB1308ERED
819779	Bendix	4709EII600	K4311-21A	Bendix	SB4311EBLU

CROSS REFERENCE



Manufacturer Number	Manufacturer	Bendix Number	Manufacturer Number	Manufacturer	Bendix Number
K4311-21B	Bendix	SB4311ERED	M12WS166X	Bendix® OE	4692FCII
K4311-32A	Bendix	SB4311EBLU	M12WS172X	Bendix® OE	4661FCII
K4311-32B	Bendix	SB4311ERED	M12WS173X	Bendix® OE	4536FCII
K4317-26B	Bendix	SB4317ERED	M15WS103-X	Bendix® OE	4710R
K4317-28B	Bendix	SB4317ERED	M16LK100X	Bendix® OE	HK22XLS
K4514-13B	Bendix	SB4514QRED	M16LK103X	Bendix® OE	HK14XLS
K4515-15A	Bendix	SB4515QRED	M16LK104X	Bendix® OE	HK75SD
K4515-20A	Bendix	SB4515X3BLU	M16WS161X	Bendix® OE	4551Q
K4524-11A	Bendix	SB4524QRED	M16WS163X	Bendix® OE	4515P
K4591-24B	Bendix	SB4591SRED	M16WS176X	Bendix® OE	4701Q
K809423	Bendix	SB4708P420	M16WS176X	Bendix® OE	4515Q
K809426	Bendix	SB4708Q420	M16WS188X	Bendix® OE	4524Q
K809558	Bendix	SB4709EII420	M16WS193X	Bendix® OE	4707R
K811477	Bendix	SB1443E420	08-100105	Dayton	HK16XLS
K811600	Bendix	SB4709EII1100	08-100125	Dayton	HK16XLS
K811816	Bendix	SB4708Q600	08-100165	Dayton	HK16SD
K815419	Bendix	SB4717EII310	08-100175	Dayton	HK16SD
1001238	Bendix® OE	HK24SDLM	08-100305	Dayton	HK14XLS
1001238	Bendix® OE	HK24XLSLM	08-100365	Dayton	HK14SD
1005003	Bendix® OE	HK24XLSHM	08-100365	Dayton	HK14XLS
1005006	Bendix® OE	HK26	08-100664	Dayton	HK17XLS
150KB113X	Bendix® OE	HK32SD	08-100665	Dayton	HK17XLS
150WS120X	Bendix® OE	4693HA	08-104160	Dayton	HK22XLS
150WU134X	Bendix® OE	4702R	08-104200	Dayton	HK24XLSLM
150WU136X	Bendix® OE	4710R	08-104220	Dayton	HK24XLSLM
165WS115X	Bendix® OE	4515HA	08-105104	Dayton	HK47XLS-150
165WS116X	Bendix® OE	4514HA	08-105105	Dayton	HK47XLS-125
165WS124X	Bendix® OE	4524HA	08-107300	Dayton	HK45XLS
165WS164X	Bendix® OE	4701HA	08-107400	Dayton	HK43XLS
165WU119X	Bendix® OE	4707R	08-107404	Dayton	HK48XLS-150
165WU124X	Bendix® OE	4720R	08-107405	Dayton	HK48XLS-125
16KB128X	Bendix® OE	HK29	08-107500	Dayton	HK45XLS
314146	Bendix® OE	HK62	08-107505	Dayton	HK49-125
314147	Bendix® OE	HK61	08-107600	Dayton	HK40
808330	Bendix® OE	HK63	08-108275	Dayton	HK75SD
810213	Bendix® OE	HK72	08-108310	Dayton	HK19SD
812118	Bendix® OE	HK73	08-108400	Dayton	HK60
815626	Bendix® OE	HK91XLS	08-108402	Dayton	HK60
823141	Bendix® OE	HK90XLS	08-108600	Dayton	HK46
M12LK101X	Bendix® OE	HK43XLS	08-108804	Dayton	HK29
M12WS127X	Bendix® OE	4591S	08-108805	Dayton	HK29



CROSS REFERENCE

BW7248

Manufacturer Number	Manufacturer	Bendix Number	Manufacturer Number	Manufacturer	Bendix Number
08-108815	Dayton	HK29	08-116004	Dayton	HK29XLS
08-108834	Dayton	HK29XLS	08-116200	Dayton	HK32SD
08-108835	Dayton	HK29XLS	08-116235	Dayton	HK96XLS
08-108844	Dayton	HK29	08-116600	Dayton	HK95XLS
08-108846	Dayton	HK38	08-116705	Dayton	HK80XLS
08-108847	Dayton	HK38	K71-98	Dexter	HK43XLS
08-108864	Dayton	HK29XLS	E-10244	Euclid	HK61
08-108865	Dayton	HK29XLS	E-10760	Euclid	HK62
08-108874	Dayton	HK29XLS	E-10841	Euclid	HK87
08-108875	Dayton	HK29XLS	E-10866	Euclid	HK86
08-108877	Dayton	HK38XLS	E-10867	Euclid	HK85
08-109035	Dayton	HK31XLS	E-10869	Euclid	HK83
08-109135	Dayton	HK34SD	E-10870	Euclid	HK84
08-109135	Dayton	HK34XLS	E-10875	Euclid	HK58XLS
08-109145	Dayton	HK34XLS	E-1607HD	Euclid	HK75SD
08-109165	Dayton	HK34XLS	E-1816HD	Euclid	HK14SD
08-109175	Dayton	HK34XLS	E-1816S	Euclid	HK14XLS
08-109300	Dayton	HK44XLS	E-1887AHD	Euclid	HK24SDLM
08-109560	Dayton	HK27	E-1887ASHD	Euclid	HK24XLSLM
08-109600	Dayton	HK26	E-2121	Euclid	HK17XLS
08-109840	Dayton	HK68	E-2126	Euclid	HK40
08-110000	Dayton	HK59	E-2402HD	Euclid	HK43XLS
08-110100	Dayton	HK56	E-2403HD	Euclid	HK45XLS
08-110200	Dayton	HK57	E-2675HD	Euclid	HK19SD
08-110202	Dayton	HK56	E-2713	Euclid	HK60
08-110202	Dayton	HK57	E-2740	Euclid	HK57
08-110700	Dayton	HK51	E-2769HD	Euclid	HK29SD
08-110702	Dayton	HK50	E-2769HD	Euclid	HK29XLS
08-110900	Dayton	HK52	E-2769S	Euclid	HK29
08-110902	Dayton	HK52	E-2769S-R	Euclid	HK29
08-111100	Dayton	HK55	E-2769SHD	Euclid	HK29XLS
08-111102	Dayton	HK77	E-2769SHD-R	Euclid	HK29XLS
08-111300	Dayton	HK54	E-2821	Euclid	HK26
08-114000	Dayton	HK70	E-3305	Euclid	HK56
08-114002	Dayton	HK70	E-3373HD	Euclid	HK48XLS-125
08-114200	Dayton	HK71	E-3374HD	Euclid	HK49-125
08-114212	Dayton	HK71	E-3484	Euclid	HK44XLS
08-114800	Dayton	HK63	E-3518	Euclid	HK68
08-115402	Dayton	HK67XLS	E-3710HD	Euclid	HK34SD
08-115505	Dayton	HK69XLS	E-3710S	Euclid	HK34XLS
08-115805	Dayton	HK65SD	E-3782	Euclid	HK47XLS-125

CROSS REFERENCE



Manufacturer Number	Manufacturer	Bendix Number	Manufacturer Number	Manufacturer	Bendix Number
E-3801	Euclid	HK24XLSHM	E2685	Euclid	4515F
E-3858	Euclid	HK81XLS	E2687	Euclid	4524P
E-3869	Euclid	HK55	E3303	Euclid	4524Q
E-3895S	Euclid	HK38	E3304	Euclid	4514Q
E-3895S-R	Euclid	HK38	E3491	Euclid	4670Q
E-3895SHD	Euclid	HK38XLS	E3522	Euclid	4551Q
E-3992	Euclid	HK76	E3920	Euclid	4515P
E-4691	Euclid	HK51	E4785	Euclid	512
E-4692	Euclid	HK52	E5126	Euclid	1308E
E-4880S	Euclid	HK31XLS	E5303A	Euclid	4692FC
E-4880SHD	Euclid	HK31XLS	E5480	Euclid	4709E
E-5139	Euclid	HK54	E5503	Euclid	4707R
E-5481A	Euclid	HK63	KIT-1	Euclid	HK22XLS
E-5499	Euclid	HK27	KIT-4HD	Euclid	HK16SD
E-5515	Euclid	HK32SD	KIT-4S	Euclid	HK16
E-6879	Euclid	HK50	KIT-4SHD	Euclid	HK16XLS
E-69995	Euclid	HK96XLS	KIT4HD	Euclid	HK16SD
E-7231	Euclid	HK70	KIT4S	Euclid	HK16
E-7237	Euclid	HK71	KIT4SHD	Euclid	HK16XLS
E-7238	Euclid	HK71	ACC-001996-902	Fruehauf	HK17XLS
E-7899	Euclid	HK55	ACC-001996-903	Fruehauf	HK31XLS
E-7899	Euclid	HK77	ACC-001996-923	Fruehauf	HK34SD
E-8923	Euclid	HK65SD	ACC-001996-923	Fruehauf	HK34XLS
E-8925	Euclid	HK67XLS	ACF003379001	Fruehauf	4515X3
E-8925	Euclid	HK67SD	ACF003380001	Fruehauf	4515X3
E-9039	Euclid	HK91XLS	ACF003380002	Fruehauf	4515X3
E-9048	Euclid	HK72	L2047	Leland	4551Q
E-9052	Euclid	HK73	L2346	Leland	4670Q
E-9070	Euclid	HK80XLS	L2354	Leland	4514Q
E-9141	Euclid	HK90XLS	L2355	Leland	4524Q
E-9281	Euclid	HK48XLS-150	L2534	Leland	4514Q
E-9282	Euclid	HK49-150	L2805	Leland	512
E-9283	Euclid	HK47XLS-150	L2808	Leland	1308E
E-9644	Euclid	HK74XLS	L2916	Leland	4536P
E1778	Euclid	4311E	L2917	Leland	4692P
E2241	Euclid	4515P	L2918	Leland	4692FC
E2242	Euclid	4551P	801698	Oe Jeep	4468
E2393	Euclid	4536P	KIT 1125	Rockwell	HK50
E2394	Euclid	4591S	KIT 8000	Rockwell	HK29
E2394A	Euclid	4692P	KIT 8000A	Rockwell	HK29
E2684	Euclid	4514P	KIT 8000HD	Rockwell	HK29XLS



CROSS REFERENCE

BW7248

Manufacturer Number	Manufacturer	Bendix Number	Manufacturer Number	Manufacturer	Bendix Number
KIT 8000HDA	Rockwell	HK29XLS			
KIT 8004	Rockwell	HK44XLS			
KIT 8014	Rockwell	HK38			
KIT 8014A	Rockwell	HK38XLS			
KIT 8029	Rockwell	HK55			
KIT 8081	Rockwell	HK74XLS			
KIT 9000	Rockwell	HK14XLS			
KIT 9001HD	Rockwell	HK14SD			
KIT 9002	Rockwell	HK16			
KIT 9002N	Rockwell	HK16SD			
KIT 9003	Rockwell	HK19SD			
KIT 9004	Rockwell	HK75SD			
KIT 9017	Rockwell	HK16XLS			
KIT 9017NC	Rockwell	HK16			
KIT 9081	Rockwell	HK67XLS			
A3222A2159	Rockwell/Meritor	4710R			
A3222C1381	Rockwell/Meritor	4514Q			
A3222D2006	Rockwell/Meritor	4707R			
A3222E1383	Rockwell/Meritor	4524Q			
A3222F1072	Rockwell/Meritor	1308T			
A3222F1982	Rockwell/Meritor	1308Q			
A3222J1440	Rockwell/Meritor	4524QM			
A3222J1570	Rockwell/Meritor	4551Q			
A3222K2169	Rockwell/Meritor	4711R			
A3222M2223	Rockwell/Meritor	4702R			
A3222P2200	Rockwell/Meritor	4715R			
A3222Q1837	Rockwell/Meritor	1308E			
A3222S1293	Rockwell/Meritor	4515Q			
A3222V1088	Rockwell/Meritor	1308E			
A3722D82	Rockwell/Meritor	4524Q			
A3722N66	Rockwell/Meritor	4515P			
R4708F	Rockwell/Meritor	4708XEM			
R4708R	Rockwell/Meritor	4708Q			
R507004	Rockwell/Meritor	HK54			
R507002	Rockwell/Meritor	HK24XLSLM			
R507010	Rockwell/Meritor	HK34XLS			
R507057	Rockwell/Meritor	HK63XLS			
R507064	Rockwell/Meritor	HK61XLS			
F33186	Wagner	HK60			
F79791	Wagner	HK56			
F79791	Wagner	HK57			

ABS: Anti-lock braking system

Actuator: A device which physically initiates the mechanical motion of a brake system component.

Air Disc Brakes (ADB): Air-actuated brakes, which upon application, employ a caliper to clamp two brake pads against a rotor. Air discs, compared with drum-type brakes, have superior ability to resist fade.

AL Factor: A mathematical expression of the brake chamber and slack adjuster combination. "A" equals the effective area, in square inches, of the brake chamber. "L" equals the effective length, in inches, of the slack adjuster. For example, 30 (air chamber) x 6 (slack adjuster) = 180AL Factor.

Anchor Pin: A pin or pins inserted in the brake spider to which the brake shoes attach and pivot upon.

Anti-compounding: A system that prevents application of service brakes from compounding (adding) to the force exerted by parking brakes. Functionally, this guards against brake drum cracking, brake shoe and brake lining damage.

Anti-Lock: Optional on trailers until March 1, 1998, a safety oriented system which senses wheel rotation (at one or more axles) during braking and cycles the brakes to prevent wheel lockup.

ASA: Automatic slack adjuster

ATA: American Trucking Association

ATC: Automatic traction control

BBW: Brake by wire

BCN: Brake certification notice

Bell-Mounted Drum: Drum with variation of inner diameter (i.e., greater at open end), preventing full contact with brake linings.

Blue Drum: Brake drum with friction surface blued from high temperature. High temperature may result, for example, from dragging of brakes caused by weak return springs. Blue drum also may result from lack of brake balance.

Brake Block: Friction material or lining attached to brake shoe.

Brake Chamber Diaphragm: A device within the brake chamber that converts air pressure to mechanical force via a push rod.

Brake Drag: Failure of one or more brakes to release immediately and/or completely after driver removes his foot from the brake treadle. Constant drag, unrelated to a brake application, also can exist.

Brake Fade: Brake fade results from a reduction in friction between linings and drums caused by exposure to water, dragging brakes on a down-grade or over-adjusted brakes resulting in an over-heated brake drum. Heat fade occurs when linings overheat and become less aggressive. Gradual and predictable fade is desirable as a warning. (Silver and Yellow will glaze if not burnished.)

Burnish: The conditioning or seasoning of a brake lining by wear and temperature via a test procedure or in-service operation.

Caliper: In an air disc brake system, the clamping device to which the friction material is attached. When actuated, the caliper applies braking force to both sides of the rotor.



GLOSSARY OF TERMS

BW7248

Cam Base Circle Radius: The perpendicular distance from the center of the s-cam to the vector defined by the center of the cam roller and the intersection of the cam roller with the s-cam profile. Most CBCR are designed to be at or near 1/2 inch.

Clevis pin: Pin connecting the arm of slack adjuster to a brake chamber push rod yoke.

CMVSS: Canadian Motor Vehicle Safety Standard

Coefficient of Friction: Developed by Friction Materials Standards Institute, a double-letter code printed on the edge of a brake block to designate its range of aggressiveness. (Example: EE, FF, GG, FG)

Cracked Drum: Brake drum cracked all the way through by excessive heat build-up (perhaps signifying inadequate drum weight and/or driver abuse) and/or resurfacing of a drum beyond the manufacturer's limit.

CTI: Central tire inflation

Dual Brake System: Mandated by FMVSS 121, the use of a dual air system (primary and secondary) in order to retain braking ability in the event one system fails.

Dust Shield: A plate made of metal or polyethylene that is mounted behind a brake drum to minimize the entry of dirt and road splash.

EBS: Electronic braking system

ECU: Electronic control unit

Edge Code: The information found the edge of a brake block. Bendix friction edge coding includes the type of friction and the coefficient of friction.

Emergency Brake System: Not a separate system, emergency braking (in event of air loss) involves various portions of the parking and service brake systems.

Engine Brake: An optional device that converts a diesel engine into a power-absorbing air compressor to slow a vehicle on downgrades.

ES: Extended Service, Bendix' term for brake design using thicker than standard lining.

ESII: Bendix' redesigned Extended Service brake shoe, introduced in 1996. It employs a new Hot Staked manufacturing process, redesigned retaining springs, lighter weight and elimination of the tabs from the previous design table.

Exhaust Brake: An optional device that uses engine exhaust back pressure to slow a vehicle on downgrades.

FC: Fast Change, Bendix' term for brake design with an open anchor pin rib. Interchanges with Rockwell Q design.

FCII: Bendix' redesigned 12-1/4 Fast Change brake shoe, introduced in 1996. It includes a redesigned table, thicker rib material, an improved welding process, and standardization of brake hardware components.

FMSI: Friction Materials Standards Institute

FMVSS: Federal Motor Vehicle Safety Standard

Foundation Brake System: A term inclusive of mechanical components involved in mechanically providing braking force: brake chambers, slack adjusters, brake drums, brake shoe assemblies.

FT: Fabricated, Tapered, Bendix' term for brake design with a closed anchor pin rib. Interchanges with Rockwell P design.

GAW: Gross axle weight

GAWR: Gross Axle Weight Rating, a rating in pounds of brake lining material, or axle carrying capacity.

GCW: Gross combination weight: the total weight carrying capacity of a combination vehicle as determined by axle ratings.

GCWR: Gross combination weight rating

Grease-Stained Drum: A brake drum with discoloration of the friction surface caused by, for example, improper greasing of brake camshaft.

GVW: Gross vehicle weight: the total weight carrying capacity of one vehicle, (such as a straight truck, bus, tractor or trailer) as determined by axle ratings.

GVWR: Gross vehicle weight rating

HA: Suffix used to denote brake shoes used on axles produced by Bendix' Heavy Axle & Brake Division.

HDBMC: Heavy Duty Brake Manufacturer's Council

Heat-Checked Drums: A brake drum with a pattern of hard, slightly raised, dark spots on its friction surface. Caused by localized overheating and sudden cooling. Those spots should be ground off to prevent drum cracking, uneven lining wear and loss of braking efficiency. If spots cannot be removed, the drum should be discarded.

Lining Growth: Permanent swelling of brake linings due to heat exposure.

Lining Number : Numbers shown are FMSI (Friction Materials Standards Institute) standards and fit the corresponding brake shoe core.

NHTSA: National Highway Transportation Safety Administration

Out-Of-Round Drum: A brake drum with variations in its inner diameter, causing reduced braking efficiency and excessive wear on one side of the brake linings. An out-of-round drum often can be machined, within manufacturer's limits, to restore concentricity.

Over-Sized Drum: This refers to a brake drum having an inner diameter greater than the discard diameter marked on the drum by its manufacturer.

P Brake: Rockwell's term for brake design with a closed anchor pin rib. Interchanges with Bendix FT design.

PM: Preventive maintenance

Polished Drums: A brake drum with a friction surface polished to a mirror-like finish by unsuitable brake linings. Remove gloss from drum with eighty grit emery cloth.

Push Rod: A rod, protruding from a brake chamber, which is connected to the arm of a slack adjuster via a clevis pin.

Q Brake: Quick-change, Rockwell's term for brake design with an open anchor pin rib. Interchanges with Bendix FC design.



Q Plus: Rockwell's term for a quick-change design brake shoe using thicker than standard lining.

R12: Pilot control air valve with quick dump

R14: Pilot control air valve with quick dump and anti-compounding

REB: Bendix' new 15" design Reduced Envelope Brake.

Replace-A-Brake: Bendix' term for a kit to service one brake assembly. It includes two new lined brake shoes and the necessary anchor pins, rollers, springs, etc.

Retarder: Auxiliary brake device: engine brake, exhaust brake, hydraulic retarder or electric retarder.

Return Springs: Springs which retract brake shoes upon release of the brake actuator valve.

RFI: Radio frequency interference

Roll Over: A term denoting that an s-cam has traveled beyond its designed stopping position during brake application.

RP: Recommended practice

SAE: Society of Automotive Engineers

SAP: Single Anchor Pin, Bendix' term for brake design utilizing one non-replaceable anchor pin per brake assembly.

S-cam Brake: A type of brake where mechanically induced rotation of an S shaped cam forces brake linings against the brake drum.

Scored Drum: Brake drum with a grooved friction surface, resulting in excessive lining wear. Severe scoring requires that a drum be machined, within manufacturer's limits, before replacing the linings.

Service Brakes: As opposed to parking brakes, that portion of the brake system used for normal brake applications.

Slack Adjuster: A lever, connecting the brake push rod with the foundation brake camshaft, which provides torque to rotate the brake camshaft when the brake treadle is depressed. Used only on cam-actuated brakes, it also provides a means of adjusting clearance between the brake shoes and the drum to compensate for lining wear. Some models are automatic, requiring proper installation procedures and requiring periodic inspection to insure proper functioning. Manual slack adjusters require proper installation and manual adjustment at maintenance intervals.

SLR: Static loaded radius

Spring Brake: Generally refers to a tandem chamber actuator that incorporates an air-applied service brake chamber or an air-released/spring applied parking or emergency brake chamber. Spring brakes apply upon sudden air loss (emergency mode) or activation of a dash-mounted parking brake control. Spring brakes remain applied until that chamber is recharged or the spring is manually compressed or caged. The spring portion often is referred to as the piggyback. Some spring brake actuators do not incorporate a service air chamber and are solely parking and emergency brakes. For example, some parking brakes are applied by air pressure and subsequently held mechanically by a pawl which drops into a notch on the brake chamber push rod.

Stroke: Refers to a total distance traveled by a brake chamber push rod or slack adjuster arm during brake application.

Supply Tank: The air reservoir immediately downstream of the air compressor.

T Brake: Rockwell's term for a front brake shoe design using a single web with a closed anchor pin end.

Threaded Drum: Brake drum resurfaced on a lathe too quickly, resulting in a friction surface similar to that of a scored drum.

Tire Rolling Radius: The distance, expressed in inches, from the center of a tire to the pavement, measured when mounted on a vehicle and loaded to its maximum capacity.

TMC: Maintenance Council

Turned Drum: A brake drum that has been resurfaced on a lathe to remove scoring or other defects.

Wedge Brake: As opposed to a brake applied by a s-cam, this type of brake is applied by a single or double wedge type mechanism. This type of brake is self-adjusting and, as such, does not utilize a slack adjuster.

XEM: Xtra Easy Maintenance, Fruehauf's term for brake design with an open anchor pin rib. This shoe will not interchange with Rockwell Q and Bendix FC shoes.

XtraLife: Bendix' term for a quick-change design brake shoe using thicker than standard lining. Available in both the original XtraLife design, and the new XtraLife II version.



PART NUMBER INDEX

BW7248

1308E.....	19	4536FCII	29	4711R420.....	39	EX4514QRED	24
1308ERED	19	4536FCIRED.....	29	4711R600.....	39	EX4514QYEL.....	24
1308Q	19	4551Q	29	4715R	39	EX4515HARED.....	25
1308QRED.....	19	4551QBLU	29	4715R600	39	EX4515PBLU	25
1308T	20	4551QRED.....	29	4715RGLD	39	EX4515PRED	25
1308TRED	20	4551QSIL.....	29	4716EII.....	40	EX4515PSIL.....	25
1443E.....	20	4591S.....	30	4716EII310.....	40	EX4515PYEL	25
1443E420.....	20	4591SRED	30	4717EII.....	40	EX4515QBLU	26
1443E600.....	20	4661FCII	30	4717EII310.....	40	EX4515QBRZ	26
1443ERED	20	4661FCIRED	30	4718R	40	EX4515QGLD	26
4223E.....	21	4692FCII	31	4718RRED	40	EX4515QORG	26
4223EBLU.....	21	4692FCIIGLD	31	4718RSIL	40	EX4515QRED	26
4223ERED	21	4692FCIRED.....	31	4719EII.....	41	EX4515QSIL	26
4311E.....	22	4693HA	31	4719EII1160.....	41	EX4515QYEL.....	26
4311EBLU.....	22	4693HARED	31	4719EII420.....	41	EX4515X3BLU.....	27
4311EBRZ.....	22	4701HA	32	4719EII450.....	41	EX4515X3BRZ.....	27
4311EGLD.....	22	4701HAYEL.....	32	4719EII600.....	41	EX4515X3GLD	27
4311EORG.....	22	4702R	32	4719EIIIGLD	41	EX4515X3ORG.....	27
4311ERED	22	4702R420	32	4719EIIORG	41	EX4515X3RED	27
4311ESIL.....	22	4702R600	32	4720R	42	EX4515X3SIL.....	27
4311EYEL.....	22	4702RGLD	32	4720R1160.....	42	EX4515X3YEL	27
4317E.....	23	4702RRED.....	32	4720R420	42	EX4524HAYEL.....	27
4317ERED	23	4703R	33	4720R450	42	EX4524QGLD	28
4514HA	24	4703RGLD	33	4720R600	42	EX4524QORG	28
4514HAGLD.....	24	4707R	34	4720RGLD	42	EX4524QRED	28
4514Q	24	4707R420	34	4720RORG	42	EX4524QYEL.....	28
4514QBRZ.....	24	4707R450	34	4725EII.....	43	EX4524QMRED.....	28
4514QGLD.....	24	4707R600	34	4725EII1160.....	43	EX4536FCIRED	29
4514QORG	24	4707RBLU	34	4725EII420.....	43	EX4551QBLU	29
4514QRED.....	24	4707RBRZ	34	4725EII600.....	43	EX4551QRED	29
4514QYEL.....	24	4707RGLD	34	4725EIIIGLD	43	EX4551QSIL	29
4515HA	25	4707RORG	34	4725EIIORG	43	EX4591SRED	30
4515HARED	25	4707RRED.....	34	4726EII.....	44	EX4661FCIRED	30
4515P.....	25	4707RSIL	34	4726EII420.....	44	EX4692FCIIGLD	31
4515PBLU.....	25	4707RYEL	34	4726EII450.....	44	EX4692FCIRED.....	31
4515PRED	25	4708H	35	4726EII600.....	44	EX4693HARED.....	31
4515PSIL	25	4708H1100.....	35	4726EIIIGLD	44	EX4701HAYEL.....	32
4515PYEL.....	25	4708M.....	35	4729EII.....	44	EX4702R420.....	32
4515Q	26	4708P.....	35	4729EII420.....	44	EX4702R600.....	32
4515QBLU	26	4708P420.....	35	4729EII450.....	44	EX4702RGLD	32
4515QBRZ.....	26	4708P600.....	35	4729EII600.....	44	EX4702RRED	32
4515QGLD.....	26	4708Q	36	4729EIIIGLD	44	EX4703RGLD	33
4515QORG	26	4708Q420	36	4729EIIRED	44	EX4707R420.....	34
4515QRED.....	26	4708Q600	36	EX1308ERED	19	EX4707R450.....	34
4515QSIL.....	26	4708XEM	36	EX1308QRED	19	EX4707R600.....	34
4515QYEL.....	26	4708XEM420	36	EX1308TRED	20	EX4707RBLU.....	34
4515X3.....	27	4708XEM600	36	EX1443E420.....	20	EX4707RBRZ	34
4515X3BLU.....	27	4709EII.....	37	EX1443E600.....	20	EX4707RGLD	34
4515X3BRZ	27	4709EII1100	37	EX1443ERED	20	EX4707RORG	34
4515X3GLD	27	4709EII1160	37	EX4223EBLU.....	21	EX4707RRED	34
4515X3ORG	27	4709EII420.....	37	EX4223ERED	21	EX4707RSIL	34
4515X3RED	27	4709EII450.....	37	EX4311EBLU	22	EX4707RYEL	34
4515X3SIL	27	4709EII600.....	37	EX4311EBRZ	22	EX4708P420.....	35
4515X3YEL.....	27	4709EIIIBLU	37	EX4311EGLD	22	EX4708P600.....	35
4524HA	27	4709EIIIGLD	37	EX4311EORG	22	EX4708Q420	36
4524HAYEL.....	27	4709EIIRED	37	EX4311ERED.....	22	EX4708Q600	36
4524Q	28	4709EIIISIL	37	EX4311ESIL.....	22	EX4708XEM420	36
4524QGLD.....	28	4709EIIYEL.....	37	EX4311EYEL	22	EX4708XEM600	36
4524QORG	28	4709SII.....	38	EX4317ERED	23	EX4709EII1100	37
4524QRED.....	28	4709SII1100	38	EX4514HAGLD.....	24	EX4709EII1160	37
4524QYEL.....	28	4710R	38	EX4514QBRZ	24	EX4709EII420.....	37
4524QM	28	4710R310	38	EX4514QGLD	24	EX4709EII450.....	37
4524QMRED.....	28	4711R.....	39	EX4514QORG	24	EX4709EII600.....	37



EX4709EIIBLU.....	37	KT4514QYEL.....	24	KT4709EIIBLU.....	37	SB4223ERED.....	21
EX4709EIIGLD.....	37	KT4515HARED.....	25	KT4709EIIBLU.....	37	SB4311EBLU.....	22
EX4709EIIORG.....	37	KT4515PBLU.....	25	KT4709EIIGLD.....	37	SB4311EBRZ.....	22
EX4709EIIRED.....	37	KT4515PRED.....	25	KT4709EIIGLD-BUS.....	37	SB4311EGLD.....	22
EX4709EIIISIL.....	37	KT4515PSIL.....	25	KT4709EIIORG.....	37	SB4311EORG.....	22
EX4709EIYEL.....	37	KT4515PYEL.....	25	KT4709EIIRED.....	37	SB4311ERED.....	22
EX4709SII1100.....	38	KT4515QBLU.....	26	KT4709EIIISIL.....	37	SB4311ESIL.....	22
EX4710R310.....	38	KT4515QBRZ.....	26	KT4709EIYEL.....	37	SB4311EYEL.....	22
EX4711R420.....	39	KT4515QGLD.....	26	KT4709SII1100.....	38	SB4317ERED.....	23
EX4711R600.....	39	KT4515QORG.....	26	KT4710R310.....	38	SB4514HAGLD.....	24
EX4715R600.....	39	KT4515QRED.....	26	KT4711R420.....	39	SB4514QBRZ.....	24
EX4715RGLD.....	39	KT4515QSIL.....	26	KT4711R600.....	39	SB4514QGLD.....	24
EX4716EII310.....	40	KT4515QYEL.....	26	KT4715R600.....	39	SB4514QORG.....	24
EX4717EII310.....	40	KT4515X3BLU.....	27	KT4715RGLD.....	39	SB4514QRED.....	24
EX4718RRED.....	40	KT4515X3BRZ.....	27	KT4716EII310.....	40	SB4514QYEL.....	24
EX4718RSIL.....	40	KT4515X3GLD.....	27	KT4717EII310.....	40	SB4515HARED.....	25
EX4719EII1160.....	41	KT4515X3ORG.....	27	KT4718RRED.....	40	SB4515PBLU.....	25
EX4719EII420.....	41	KT4515X3RED.....	27	KT4718RSIL.....	40	SB4515PRED.....	25
EX4719EII450.....	41	KT4515X3SIL.....	27	KT4719EII1160.....	41	SB4515PSIL.....	25
EX4719EII600.....	41	KT4515X3YEL.....	27	KT4719EII1160HC.....	41	SB4515PYEL.....	25
EX4719EIIGLD.....	41	KT4524HAYEL.....	27	KT4719EII420.....	41	SB4515QBLU.....	26
EX4719EIIORG.....	41	KT4524QGLD.....	28	KT4719EII420HC.....	41	SB4515QBRZ.....	26
EX4720R1160.....	42	KT4524QORG.....	28	KT4719EII450.....	41	SB4515QGLD.....	26
EX4720R420.....	42	KT4524QRED.....	28	KT4719EII450HC.....	41	SB4515QORG.....	26
EX4720R450.....	42	KT4524QYEL.....	28	KT4719EII600.....	41	SB4515QRED.....	26
EX4720R600.....	42	KT4524QMRED.....	28	KT4719EII600HC.....	41	SB4515QSIL.....	26
EX4720RGLD.....	42	KT4536FCIRED.....	29	KT4719EIIIGLD.....	41	SB4515QYEL.....	26
EX4720RORG.....	42	KT4551QBLU.....	29	KT4719EIIIGLDHC.....	41	SB4515X3BLU.....	27
EX4725EII1160.....	43	KT4551QRED.....	29	KT4719EIIIGLD-BUS.....	41	SB4515X3BRZ.....	27
EX4725EII420.....	43	KT4551QSIL.....	29	KT4719EIIORG.....	41	SB4515X3GLD.....	27
EX4725EII600.....	43	KT4591SRED.....	30	KT4720R1160.....	42	SB4515X3ORG.....	27
EX4725EIIGLD.....	43	KT4661FCIRED.....	30	KT4720R420.....	42	SB4515X3RED.....	27
EX4725EIIORG.....	43	KT4692FCIIGLD.....	31	KT4720R450.....	42	SB4515X3SIL.....	27
EX4726EII420.....	44	KT4692FCIRED.....	31	KT4720R600.....	42	SB4515X3YEL.....	27
EX4726EII450.....	44	KT4693HARED.....	31	KT4720RGLD.....	42	SB4524HAYEL.....	27
EX4726EII600.....	44	KT4701HAYEL.....	32	KT4720RORG.....	42	SB4524QGLD.....	28
EX4726EIIGLD.....	44	KT4702R420.....	32	KT4725EII1160.....	43	SB4524QORG.....	28
EX4729EII420.....	44	KT4702R600.....	32	KT4725EII1160HC.....	43	SB4524QRED.....	28
EX4729EII450.....	44	KT4702RGLD.....	32	KT4725EII420.....	43	SB4524QYEL.....	28
EX4729EII600.....	44	KT4702RGLD-BUS.....	32	KT4725EII420HC.....	43	SB4524QMRED.....	28
EX4729EIIGLD.....	44	KT4702RRED.....	32	KT4725EII600.....	43	SB4536FCIRED.....	29
EX4729EIIRED.....	44	KT4703RGLD.....	33	KT4725EII600HC.....	43	SB4551QBLU.....	29
KT1308ERED.....	19	KT4707R420.....	34	KT4725EIIIGLD.....	43	SB4551QRED.....	29
KT1308QRED.....	19	KT4707R450.....	34	KT4725EIIIGLDHC.....	43	SB4551QSIL.....	29
KT1308TRED.....	20	KT4707R600.....	34	KT4725EIIIGLD-BUS.....	43	SB4591SRED.....	30
KT1443E420.....	20	KT4707RBLU.....	34	KT4725EIIORG.....	43	SB4661FCIRED.....	30
KT1443E600.....	20	KT4707RBRZ.....	34	KT4726EII420.....	44	SB4692FCIIGLD.....	31
KT1443ERED.....	20	KT4707RGLD.....	34	KT4726EII450.....	44	SB4692FCIRED.....	31
KT4223EBLU.....	21	KT4707RGLD-BUS.....	34	KT4726EII600.....	44	SB4693HARED.....	31
KT4223ERED.....	21	KT4707RORG.....	34	KT4726EIIGLD.....	44	SB4701HAYEL.....	32
KT4311EBLU.....	22	KT4707RRED.....	34	KT4726EIIIGLD-BUS.....	44	SB4702R420.....	32
KT4311EBRZ.....	22	KT4707RSIL.....	34	KT4729EII420.....	44	SB4702R600.....	32
KT4311EGLD.....	22	KT4707RYEL.....	34	KT4729EII450.....	44	SB4702RGLD.....	32
KT4311EORG.....	22	KT4708P420.....	35	KT4729EII600.....	44	SB4702RGLD-BUS.....	32
KT4311ERED.....	22	KT4708P600.....	35	KT4729EIIIGLD.....	44	SB4702RRED.....	32
KT4311ESIL.....	22	KT4708Q420.....	36	KT4729EIIRED.....	44	SB4703RGLD.....	33
KT4311EYEL.....	22	KT4708Q600.....	36	SB1308ERED.....	19	SB4707R420.....	34
KT4317ERED.....	23	KT4708XEM420.....	36	SB1308QRED.....	19	SB4707R450.....	34
KT4514HAGLD.....	24	KT4708XEM600.....	36	SB1308TRED.....	20	SB4707R600.....	34
KT4514QBRZ.....	24	KT4709EII1100.....	37	SB1443E420.....	20	SB4707RBLU.....	34
KT4514QGLD.....	24	KT4709EII1160.....	37	SB1443E600.....	20	SB4707RBRZ.....	34
KT4514QORG.....	24	KT4709EII420.....	37	SB1443ERED.....	20	SB4707RGLD.....	34
KT4514QRED.....	24	KT4709EII450.....	37	SB4223EBLU.....	21	SB4707RGLD-BUS.....	34



PART NUMBER INDEX

BW7248

SB4707RORG	34	SB4726EIIGLD	44	HK67SD	74
SB4707RRED	34	SB4726EIIGLD-BUS	44	HK67XLS	74
SB4707RSIL	34	SB4729EII420	44	HK68	75
SB4707RYEL	34	SB4729EII450	44	HK69XLS	75
SB4708H1100	35	SB4729EII600	44	HK70	75
SB4708P420	35	SB4729EIIGLD	44	HK71	76
SB4708P600	35	SB4729EIIRED	44	HK72	76
SB4708Q420	36	HK14SD	48	HK73	76
SB4708Q600	36	HK14XLS	48	HK74XLS	77
SB4708XEM420	36	HK16	49	HK75SD	77
SB4708XEM600	36	HK16SD	49	HK76	78
SB4709EII1100	37	HK16XLS	50	HK77	78
SB4709EII1160	37	HK17XLS	50	HK80XLS	78
SB4709EII420	37	HK19SD	51	HK81XLS	79
SB4709EII450	37	HK22XLS	51	HK82SD	79
SB4709EII600	37	HK24SDLM	51	HK83	79
SB4709EIIBLU	37	HK24XLSTM	52	HK84	80
SB4709EIIGLD	37	HK24XLSLM	52	HK85	80
SB4709EIIGLD-BUS	37	HK26	53	HK86	80
SB4709EIIRED	37	HK27	53	HK87	81
SB4709EIIISIL	37	HK29	54	HK90XLS	81
SB4709EIIYEL	37	HK29SD	55	HK91XLS	81
SB4709SII1100	38	HK29XLS	56	HK95XLS	82
SB4710R310	38	HK31XLS	57	HK96XLS	82
SB4711R420	39	HK32SD	57	HK97XLS	82
SB4711R600	39	HK34SD	58		
SB4715R600	39	HK34XLS	58		
SB4715RGLD	39	HK38	59		
SB4716EII310	40	HK38XLS	60		
SB4717EII310	40	HK40	61		
SB4718RRED	40	HK41	61		
SB4718RSIL	40	HK43XLS	61		
SB4719EII1160	41	HK44XLS	62		
SB4719EII1160HC	41	HK45XLS	62		
SB4719EII420	41	HK46	62		
SB4719EII420HC	41	HK47XLS-125	63		
SB4719EII450	41	HK47XLS-150	63		
SB4719EII450HC	41	HK48XLS-125	64		
SB4719EII600	41	HK48XLS-150	64		
SB4719EII600HC	41	HK49-125	65		
SB4719EIIGLD	41	HK49-150	65		
SB4719EIIGLD-BUS	41	HK50	66		
SB4719EIIGLDHC	41	HK51	66		
SB4719EIIORG	41	HK52	66		
SB4720R1160	42	HK53	67		
SB4720R420	42	HK54	67		
SB4720R450	42	HK55	67		
SB4720R600	42	HK56	68		
SB4720RGLD	42	HK57	68		
SB4720RORG	42	HK58XLS	69		
SB4725EII1160	43	HK59	69		
SB4725EII1160HC	43	HK60	70		
SB4725EII420	43	HK61	70		
SB4725EII420HC	43	HK61SD	71		
SB4725EII600	43	HK61XLS	71		
SB4725EII600HC	43	HK62	71		
SB4725EIIGLD	43	HK62SD	72		
SB4725EIIGLDHC	43	HK62XLS	72		
SB4725EIIGLD-BUS	43	HK63	72		
SB4725EIIORG	43	HK63SD	73		
SB4726EII420	44	HK63XLS	73		
SB4726EII450	44	HK64XLS	73		
SB4726EII600	44	HK65SD	74		

*For more information, talk to your Bendix or Roadranger
representative, call 1-866-610-9709 or visit
www.foundationbrakes.com.*



Bendix Spicer
Foundation Brake LLC
A Bendix CVS and Dana Joint Venture

Roadranger
The Roadranger® System features
Bendix® brand foundation brakes.