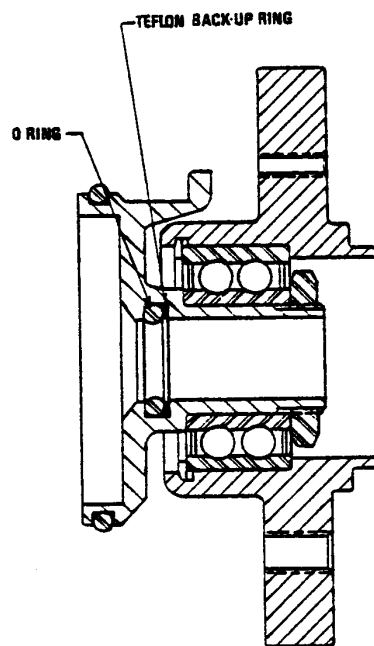


# *Technical Bulletin*

Bulletin No.: PRO-09-11    Effective Date: 2/15/79    Page: 1 of 1

Subject: **FD-1 Fan Clutch Piston Revision**

Effective January 18, 1979, a teflon back-up ring has been added to the inside bore of the FD-1 Fan Clutch piston. This change will allow the o-ring to seat against the teflon back-up ring rather than the metal surface.



The width of the piston o-ring groove has been increased to accommodate the teflon back-up ring; therefore, the teflon back-up ring cannot be used on the older revision piston.

The teflon back-up ring will be included in maintenance kits 288907 and 289319 so that the kits can be used to service both old and new revision pistons.

