

Technical Bulletin

Bulletin No.: PRO-07-01

Effective Date: 9/5/77

Cancels: PRO-07-01 dated 11/10/76

Page: 1 of 7

Subject: **OBSOLESCENCE 3/8" AND 7/16" I.D. HOSE "SHORT" FITTINGS**

Effective October 1, 1977, this will announce the obsolescence of the "Short" hose fitting (Ref. Fig. 1) and nut (Ref. Fig. 2). The "Short" sleeve will remain available under piece numbers 292615 for 3/8" I.D. hose and 292753 for 7/16" I.D. hose. This will provide availability of the "Short" sleeves for use with the "Short" nuts in the field. The "Old" design "Long" fitting body, nut and sleeve again will be the standard H.V.S.G. hose fitting and will retain their previous piece numbers.

BODY

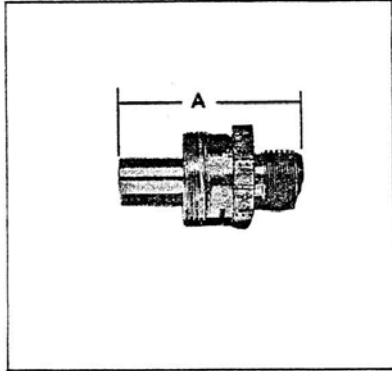


FIG. 1

Pc. No.	Size	"A" Dim.	
		"Old" (reinstated effective 10/1/77)	"New" (obsolete effective 10/1/77)
215992	3/8"	2.06"	1.91"
216173	7/16"	1.97"	1.75"

NUT

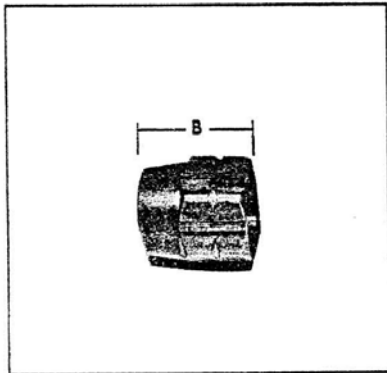
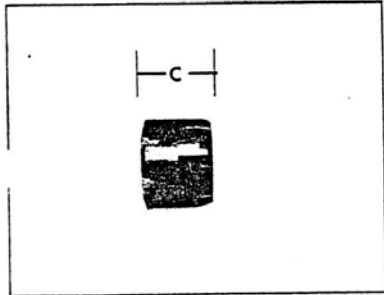


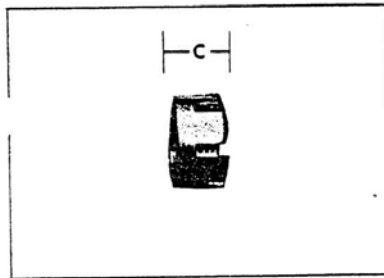
FIG. 2

Pc. No.	Size	"B" Dim.	
		"Old" (reinstated effective 10/1/77)	"New" (obsolete effective 10/1/77)
203624	3/8"	1.13"	.94"
212318	7/16"	1.19"	.94"

FIG. 3



OLD DESIGN
(Slots on both ends)



NEW DESIGN
(Slots on only one end)

Pc. No.	Size	"C" Dim.	
		"Old" (Reinstated effective 10/1/77)	"New"
203610	3/8"	.69"	
204741	7/16"	.69"	
292615*	3/8"		.50"
292753*	7/16"		.50"

* Obsolete - available for service only after 10/1/77.

INTERCHANGEABILITY

Combinations of new and old design components can be intermixed except that the old design sleeve cannot be used with the new design nut.

FITTING ASSEMBLY INSTRUCTIONS

It is important that both new and old design sleeve be assembled correctly. While failure to install sleeves correctly does not present a safety problem, incorrect installation of the sleeve in the fitting may result in the hose assembly not meeting the requirements of F.M.V.S.S. 106.

OLD SLEEVE DESIGN

(CORRECT ASSEMBLY)

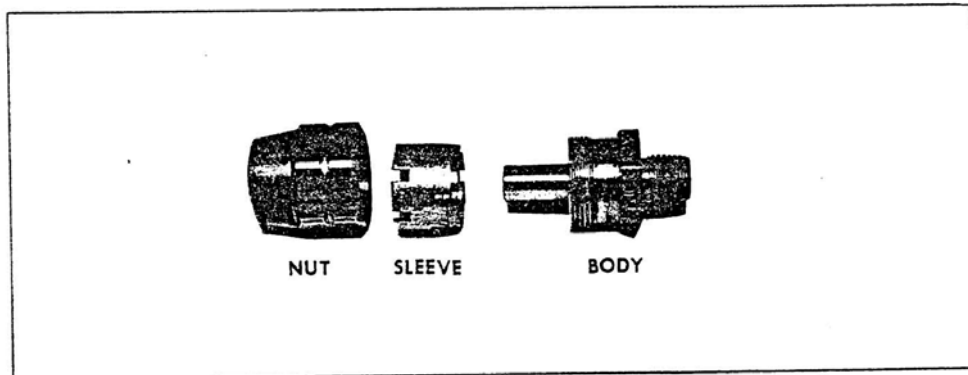


Fig. 4

Sleeve must be installed with short slots toward nut.

NEW DESIGN SLEEVE

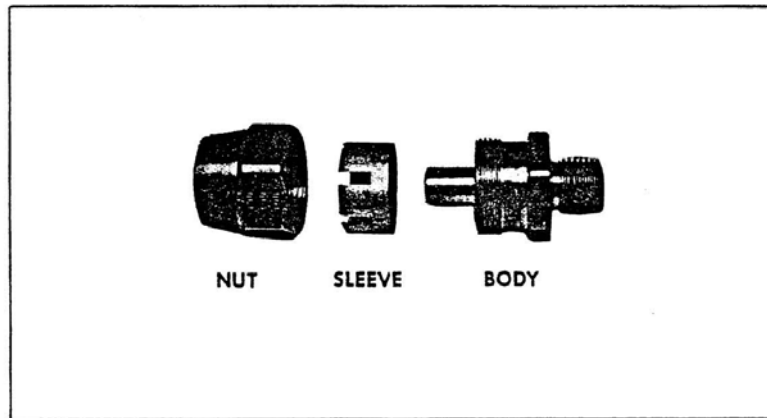


FIG. 5

Must be installed with slots toward nut.

HOSE ASSEMBLY INSTRUCTIONS

1. Determine length of hose and cut to length.
2. Place fitting body in soft jaw vice. Install nut, then sleeve on hose. (Refer to Fig. 4 and 5 for correct position of sleeve.)
3. Slip hose on to barrel of fitting body and bottom.
4. Run nut onto fitting body and tighten nut to "0" – 3/16" gap (see Fig. 6). Use wrench on body nut hex and hold hose when tightening, being careful not to twist, bend, kink or collapse hose.

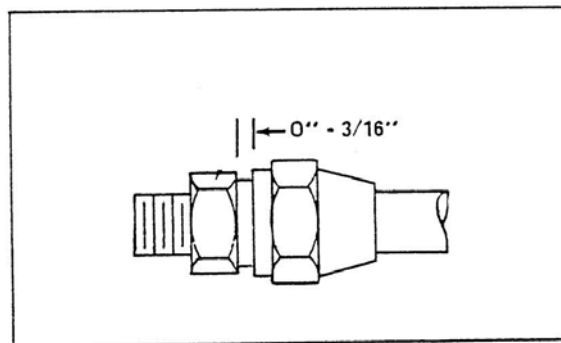


FIG. 6

5. Repeat procedure on other end of hose.

HOSE ASSEMBLY (WITHOUT SWIVEL END)

INSTALLATION INSTRUCTIONS

NOTE: It is recommended that in such installations where two (2) stationary components are to be connected by a hose assembly, that a swivel type connector be used on one end. However, if a swivel connector is not available, it is recommended that the following procedure be followed to eliminate twisting of hose.

1. Install hose assembly into one component and tighten. (Use pipe sealer if desired.)
2. Loosen hose nut on other end of hose assembly until hose is free to turn on barrel of fitting.
3. Install fitting body into component and tighten securely. (Use pipe sealer if desired.)
4. To compensate for hose twist that will occur when hose nut is tightened, twist the hose counterclockwise before tightening hose nut.