

Technical Bulletin

Bulletin No: TCH-013-004-A

Effective Date: 4/1/97

Cancels: N/A

Page: 1 of 3

THOMAS BUILT - ANTILOCK CONTROLLER GROUNDING

It has come to our attention that some older Thomas Built buses using the Bendix antilock system require a system ground change. Contact Thomas Built for additional information or check that the antilock system is grounded as illustrated. The following instructions are obtainable from Thomas Built.

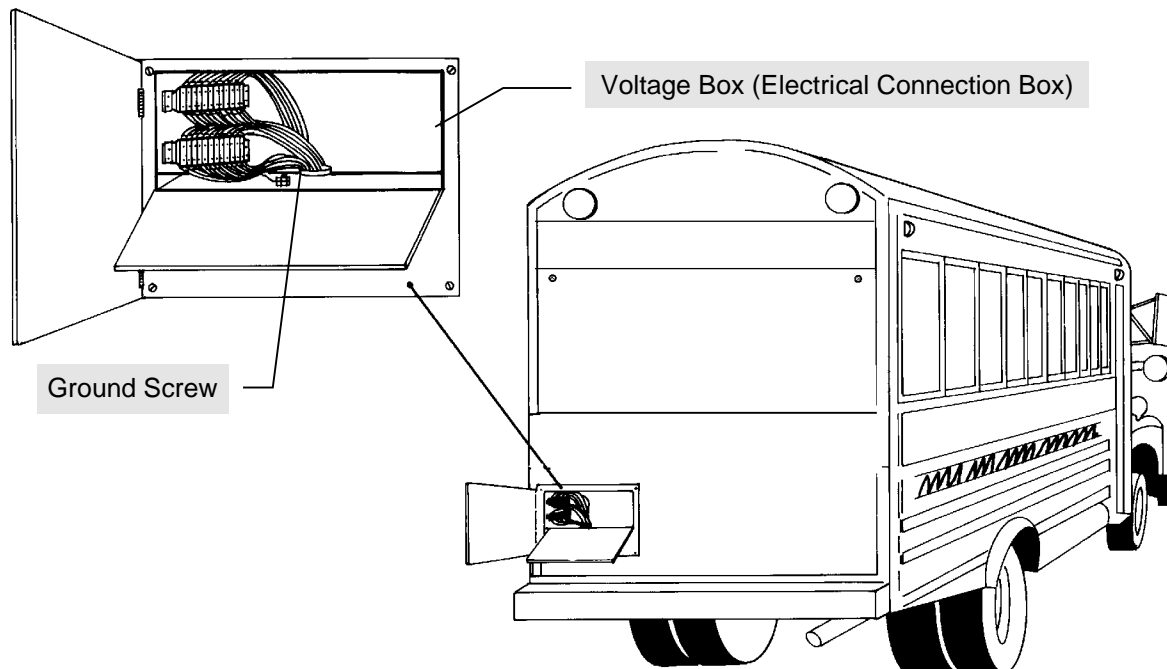


Figure 1 Locating the Voltage Box

The instructions presented here **MUST BE USED** on Thomas Built Buses equipped with Bendix AntiLock. The antilock controller voltage ground should be moved from the electrical bus bar in the voltage box, to the voltage box ground screw.



IMPORTANT! PLEASE READ

When working on or around a vehicle, the following general precautions should be observed.

1. Park the vehicle on a level surface, apply the parking brakes, and always block the wheels.
2. Stop the engine when working around the vehicle.
3. If the vehicle is equipped with air brakes, make certain to drain the air pressure from all reservoirs before beginning ANY work on the vehicle.
4. Following the vehicle manufacturer's recommended procedures, deactivate the electrical system in a manner that removes all electrical power from the vehicle.
5. When working in the engine compartment the engine should be shut off. Where circumstances require that the engine be in operation, EXTREME CAUTION should be used to prevent personal injury resulting from contact with moving, rotating, leaking, heated, or electrically charged components.
6. Always wear safety glasses.
7. Do not attempt to install, remove, disassemble or assemble a component until you have read and thoroughly understand the recommended procedures. Use only the proper tools and observe all precautions pertaining to use of those tools.
8. Components with stripped threads or damaged parts should be replaced rather than repaired. Repairs requiring machining or welding should not be attempted unless specifically approved and stated by the vehicle or component manufacturer.
9. Prior to returning the vehicle to service, make certain all components and systems are restored to their proper operating condition.

MOVING THE ANTILOCK CONTROLLER GROUND

1. Lift the access panel at the rear of the coach and locate the voltage box on the driver's side of the compartment (see figure 1).

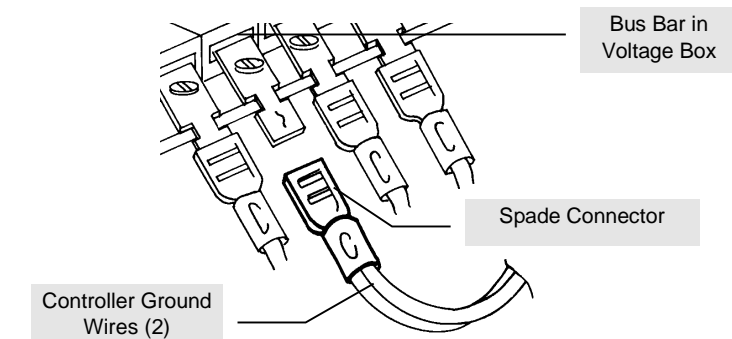


Figure 2 Removing Spade Connector From Bus Bar

2. Locate the spade connector, with two ground wires on it (generally on the second terminal of the lower bus bar) and remove the spade connector from the bus bar (see figure 2). Verify that vehicle power to the AntiLock controller is off by noting that the green LED on the AntiLock Controller is no longer illuminated even though vehicle power is on.

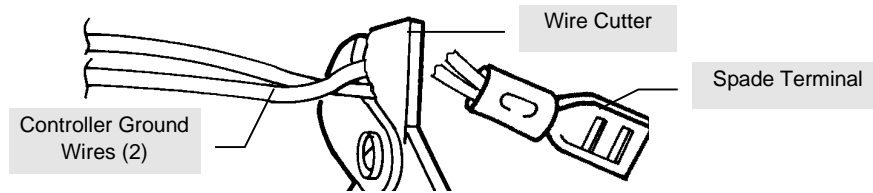


Figure 3 Cutting Spade terminal from ground wires

3. Cut the spade connector from the two ground wires and strip 1/4" of insulation from the wires (see figure 3).

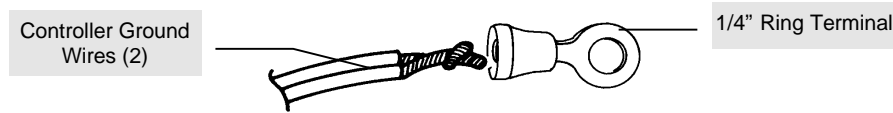


Figure 4 Installing Ring terminal on ground wires

4. Install both ground wires in a single, 1/4" ring terminal and crimp the terminal on the wires (see figure 4).

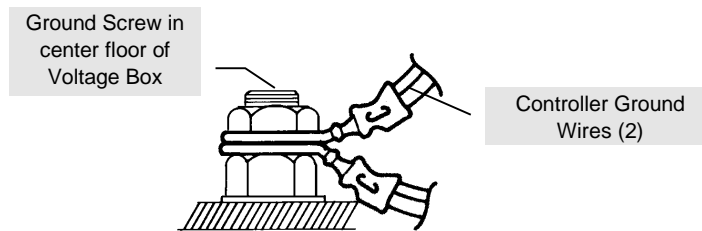


Figure 5 Installing Ring terminal ground screw

5. Reroute the two ground wires (with ring terminal installed) to the ground screw on the center of the floor in the voltage box and bolt the ring terminal to this ground point (see figures 1 & 5). The green LED on the AntiLock controller should now be illuminated when the vehicle is "powered up".
6. Perform the Antilock "Initial Start-Up" Procedure.