

Bendix Parts Catalog 12-A-01 Wedge Brakes

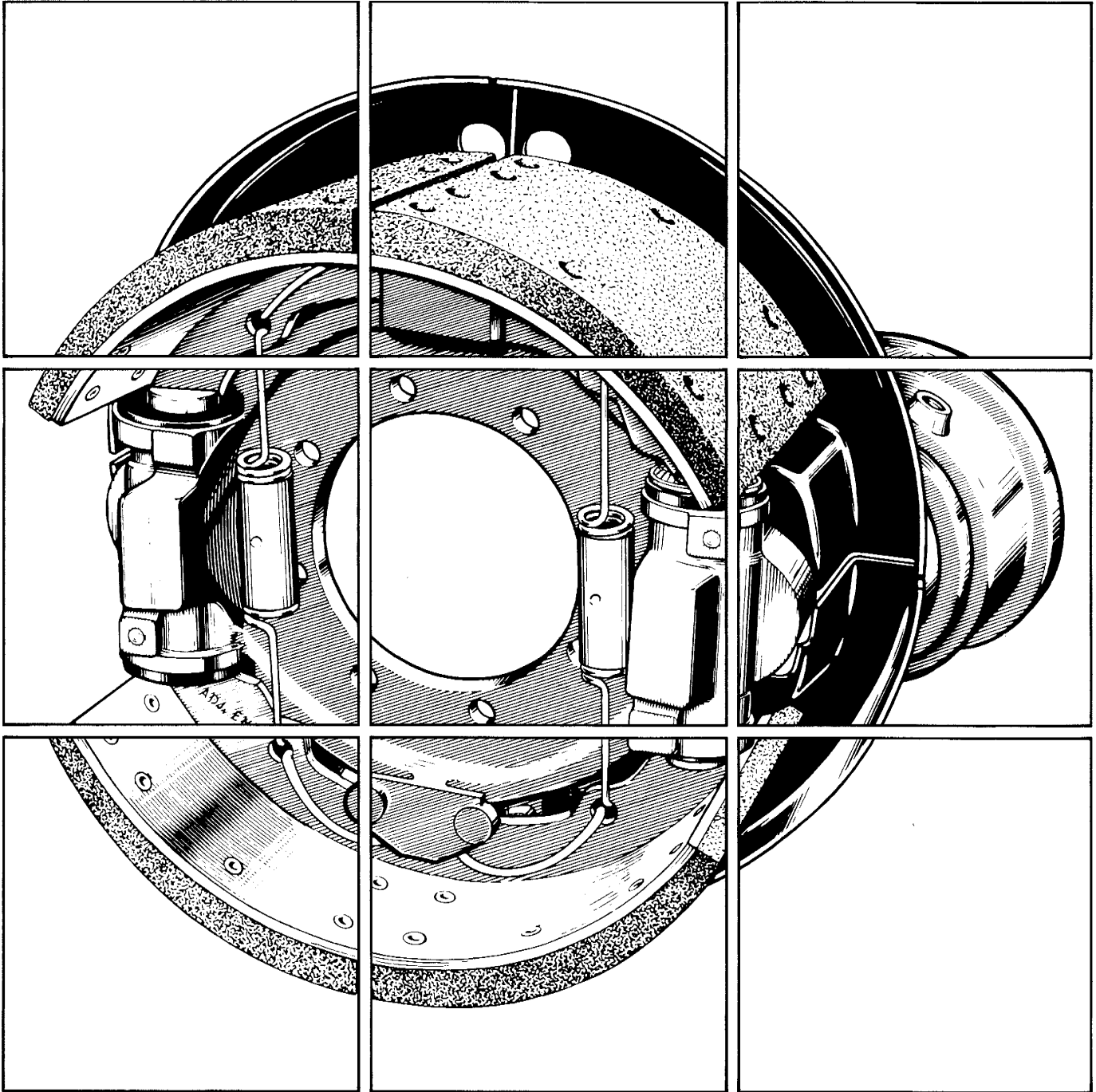


TABLE OF CONTENTS

ITEM	PAGE NO.
Twinplex Wedge Brake-Late Design	2
Twinplex Wedge Brake-Late Design Parts List	3
Twinplex Wedge Brake-Early Design	4
Twinplex Wedge Brake-Early Design Parts List	5
Heavy Duty Non-Servo Wedge Brake	6
Heavy Duty Non-Servo Wedge Brake Parts List	7
Non-Servo Wedge Brake-Late Design	8
Non-Servo Wedge Brake-Late Design Parts List	9
Non-Servo Wedge Brake-Early Design	10
Non-Servo Wedge Brake-Early Design Parts List	11
Wedge Brake Vehicle Application	12-24
Wedge Brake Torque Spider & Backing Plate Replacement Numbers	25-30
Conversion List-ACSG (Old No.) to HVSG (New No.)	31-35
Conversion List-HVSG (New No.) to ACSG (Old No.)	36-40

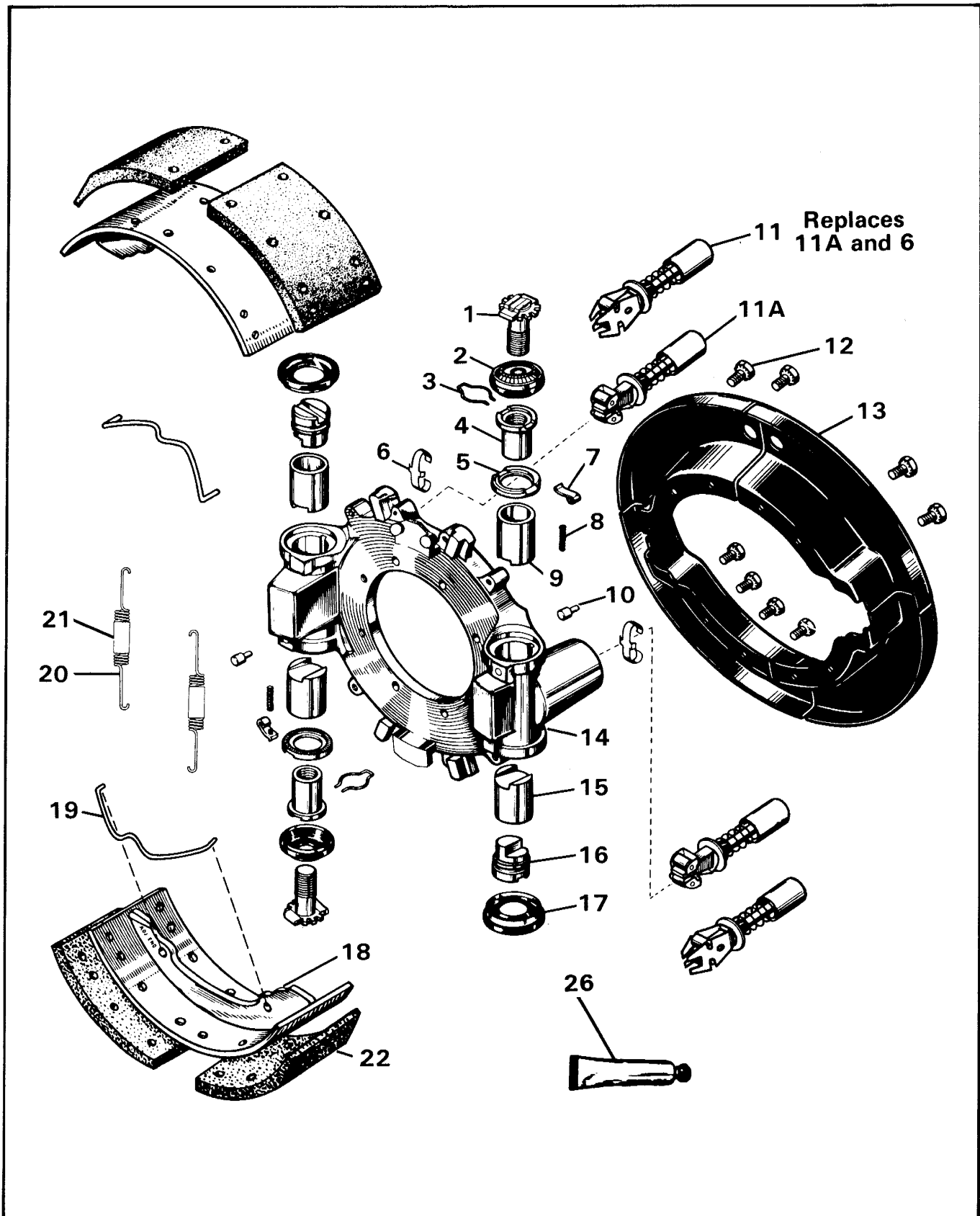


Figure 1. Twinplex Wedge Brake Late Design

SERVICE PARTS KEYED TO FIG. 1, Pg. 2

Key No.	Part No.	Description	No. Used
	100141	Repair Kit (1 wheel) Minor Repair	1
	100140	Repair Kit (1 wheel) Major Repair	1
1*†	445343	Adjusting Screw & Clip Ass'y	2
2*†	324330	Boot Ass'y	2
3*†	316356	Spring — Adjusting Overload	2
4*	316354	Adjusting Nut	2
5*†	316355	Cap. — Adjusting Nut	2
9*	324756	Adjusting Piston	2
8*†	249941	Spring — Adjusting Lever	2
7*†	249940	Adjusting Lever	2
11	285783	10° Wedge Ass'y	2
	285784	12° Wedge Ass'y	2
	285785	14° Wedge Ass'y	2
	285786	18° Wedge Ass'y	2
19*†	445280	Spring — Shoe Stabilizer	2
12	310333	Screw & Lockwasher — Mounting Shield	8
13	317072	LH Dust Shield — 4" & 5" Brakes	2
	317073	RH Dust Shield — 4" & 5" Brakes	2
	324055	LH or RH Dust Shield — 5" & 6" Brakes (For Ford Only)	1
	317074	LH Dust Shield — 6" & 7" Brakes (See Note 2)	2
	317075	RH Dust Shield — 6" & 7" Brakes (See Note 3)	2
	324056	LH or RH Dust Shield — 7" Brakes (For Ford Only)	4
10*†	316331	Pin — Adjusting Lever	2
14	See Note 4	Torque Spider	1
15, 16*	325007	Anchor Piston Ass'y (See Note 5)	2
17*†	318564	Boot — Anchor Piston	2
21*†	249943	Damper — Shoe Spring	2
20*†	249942	Spring — Shoe to Shoe (See Note 6)	2
22	320475	PKG. — 5" Brake Lining (1 wheel) Pre 121	1
	319132	PKG. — 6" Brake Lining (1 wheel) Pre 121	1
	319092	PKG. — 7" Brake Lining (1 wheel) Pre 121	1
22	445359	PKG. — 5" Brake Lining (1 wheel) FMVSS 121	1
	100169	PKG. — 6" Brake Lining (1 wheel) FMVSS 121	1
	100084	PKG. — 7" Brake Lining (1 wheel) FMVSS 121	1
	316996	Unlined Shoe — 5"	2
	316997	Unlined Shoe — 6"	2
	319998	Unlined Shoe — 7"	2
18	320022	PKG. 5" Lined Shoe — Pre 121	2
	319131	PKG. — 6" Lined Shoe — Pre 121	2
	319091	PKG. — 7" Lined Shoe — Pre 121	2
18	445349	PKG. — 5" Lined Shoe — FMVSS 121	2
	100163	PKG. — 6" Lined Shoe — FMVSS 121	2
	100083	PKG. — 7" lined Shoe — FMVSS 121	2
26*†	322854	Wedge Brake Lubricant (6 oz. Tube)	1
*†	S-606	Instruction Sheet	1

Note 2: Use Part No. 319228 For Shield w/o Flange.

Note 3: Use Part No. 319229 For Shield w/o Flange.

Note 4: See Torque Spider Replacement Nos. on Pgs. 25 to 30.

Note 5: Consists of Anchor Piston Part No. 324757 with Piston Insert Part No. 324761.

Note 6: Part No. 324095, Spring, Shoe to Shoe not shown but is included in Repair Kits. Pre 121 Use Only.

*Parts in Major Repair Kit

†Parts in Minor Repair Kit

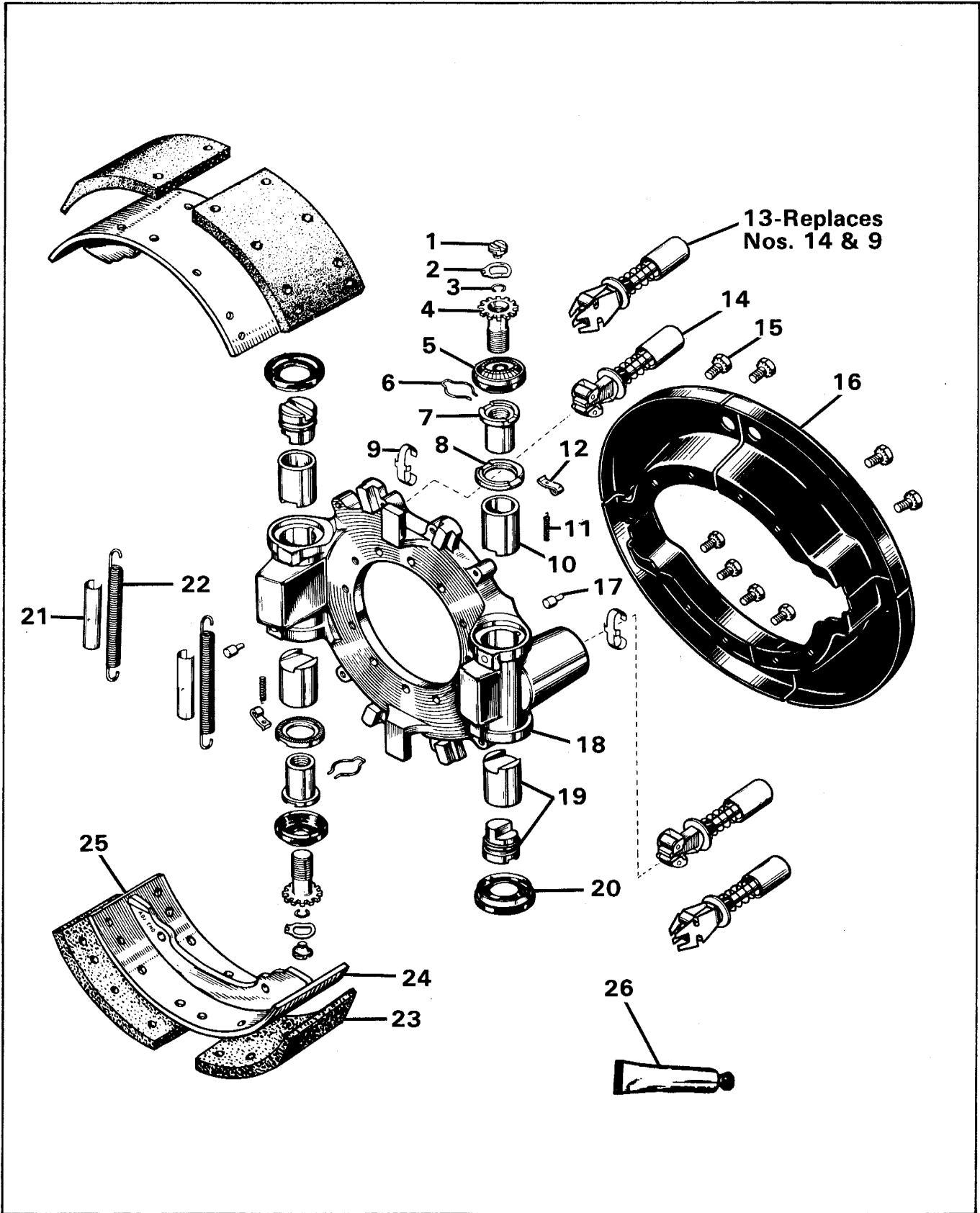


Figure 2. Twinplex Wedge Brake-Early Design

SERVICE PARTS KEYED TO FIG. 2 Pg. 4

Key No.	Part No.	Description	No. Used
	100141	Repair Kit-(1 wheel) Minor (Replaces 285782)	1
1†	323160	Link-Adjusting Screw	} Adjusting Screw & Clip 445343 Replaces These Items
2†	316802	Detent Spring	
3†	323168	Link Retainer	
4	318657	Adjusting Screw	1
5†	324330	Boot Ass'y	2
6†	316356	Spring-Adjusting Overload	2
7	316354	Adjusting Nut	2
8†	316355	Cap.-Adjusting Nut	2
9	318646	Spring-Roller Stop (Superseded by Part #13)	2
10	324756	Adjusting Piston	2
11†	249941	Spring-Adjusting Lever	2
12†	249940	Adjusting Lever	2
13	285783	10° Wedge Ass'y	2
	285784	12° Wedge Ass'y	2
	285785	14° Wedge Ass'y	2
	285786	18° Wedge Ass'y	2
14	318597	10° Wedge Ass'y (Old Style)	} Superseded By Part #13
	318598	12° Wedge Ass'y (Old Style) (Used by IHC Truck Only)	
	318599	14° Wedge Ass'y (Old Style)	
	318601	18° Wedge Ass'y	
15	310333	Screw & Lockwasher—Mounting Shield	8
16	317072	LH Dust Shield — 4" & 5" Brakes	2
	317073	RH Dust Shield — 4" & 5" Brakes	2
	324055	LH or RH Dust Shield — 5" & 6" Brks. (Ford Truck Only)	1
	317074	LH Dust Shield — 6" & 7" Brakes (See Note 2)	2
	317075	RH Dust Shield — 6" & 7" Brakes (See Note 3)	2
	324056	LH or RH Dust Shield — 7" Brks. (Ford Truck Only)	1
17†	316331	Pin-Adjusting Lever	2
18	See Note 4	Torque Spider	1
19	325007	Anchor Piston Ass'y (See Note 5)	2
20†	318564	Boot — Anchor Piston	2
21†	249943	Damper — Shoe Spring	2
22†	249942	Spring — Shoe to Shoe	2
23	320475	Pkg. 5" Brake Lining — (1 Wheel)	1
	319132	Pkg. 6" Brake lining — (1 Wheel)	1
	319092	Pkg. 7" Brake Lining — (1 Wheel)	1
24	316996	Unlined Shoe — 5"	2
	316997	Unlined Shoe — 6"	2
	316998	Unlined Shoe — 7"	2
25	320022	Pkg. 5" Lined Shoe	2
	319131	Pkg. 6" Lined Shoe	2
	319091	Pkg. 7" Lined Shoe	2
26†	322854	Wedge Brake Lubricant (6 oz. Tube)	1
†	S-606	Instruction Sheet	1

Note 2: Use Part No. 319228 for Shield w/o Flange

Note 3: Use Part No. 319229 for Shield w/o Flange

Note 4: See Torque Spider Replacement Nos. on Pgs 25 to 30

Note 5: Consists of Anchor Piston, Part No. 324757, with Piston insert Part No. 324761.

†Parts in Minor Repair Kit.

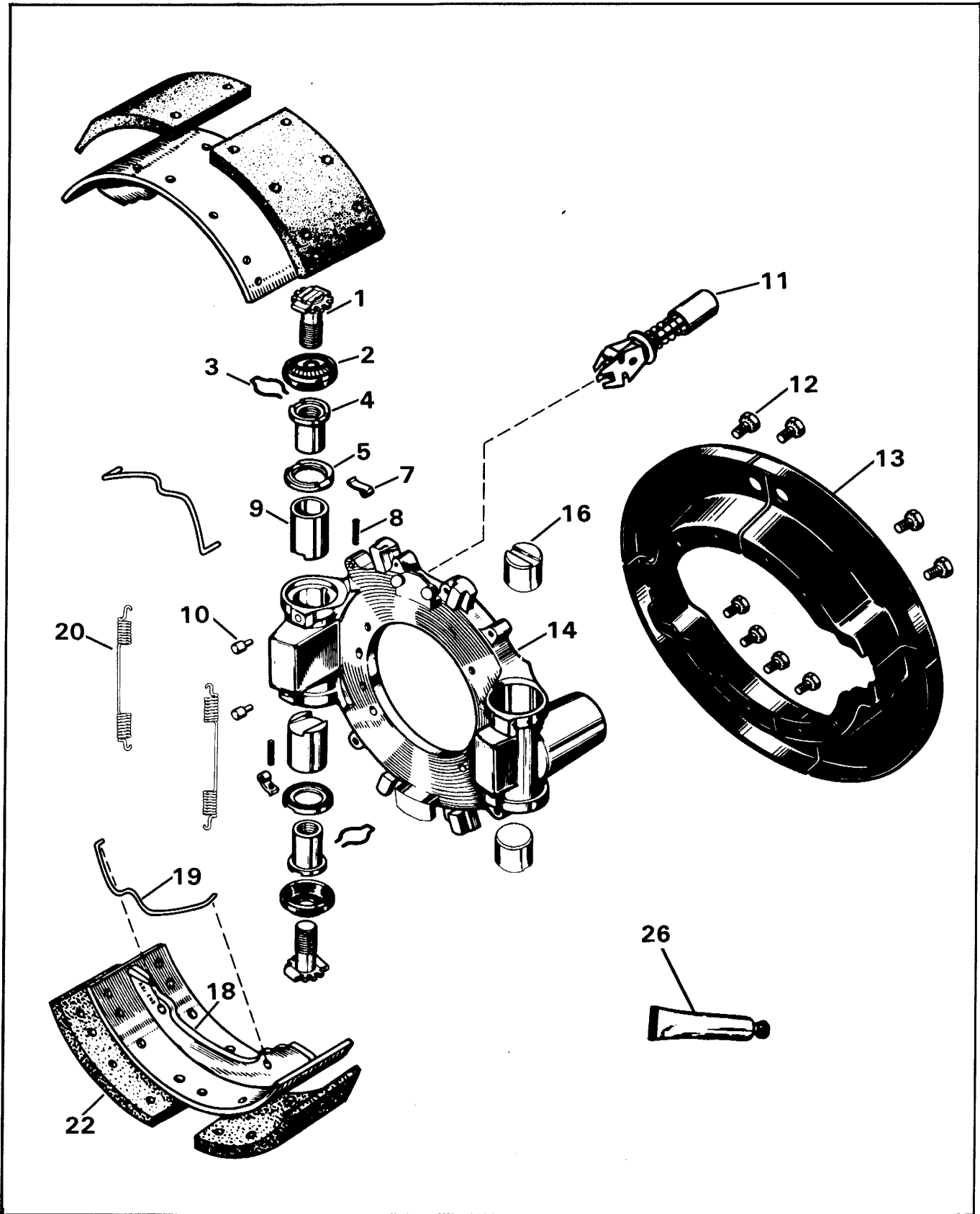


Figure 3. Heavy Duty Non-Servo Wedge Brake

SERVICE PARTS KEYED TO FIG. 3, PG. 6

Key No.	Part No.	Description	No. Used
	100151	Repair Kit (1 Wheel) Minor	1
	100150	Repair Kit (1 Wheel) Major	1
1*†	445343	Adjusting Screw & Clip Ass'y (Replaces Pc. Nos. 323162, 316802, 323168, 318657)	2
2*†	324330	Boot Ass'y	2
3*†	316356	Spring — Adjusting Overload	2
4*	316354	Adjusting Nut	2
5*†	316355	Cap — Adjusting Nut	2
9*	324756	Adjusting Piston	2
8*†	249941	Spring — Adjusting Lever	2
7*†	249940	Adjusting Lever	2
11	285783	10° Wedge Ass'y	1
	285784	12° Wedge Ass'y	1
	285785	14° Wedge Ass'y	1
	285786	18° Wedge Ass'y	1
19*†	445280	Spring — Shoe Stabilizer	2
12	310333	Screw & Lockwasher, Mounting Shield	8
13	317072	LH Dust Shield — 4" & 5" Brakes	2
	317073	RH Dust Shield — 4" & 5" Brakes	2
	324055	LH or RH Dust Shield — 5" & 6" Brks. (Ford Truck only)	1
	317074	LH Dust Shield 6" & 7" Brakes (See Note 1)	2
	317075	RH Dust Shield — 6" & 7" Brakes (See Note 2)	2
	324056	LH or RH Dust Shield — 7" Brks. (Ford Truck only)	4
10*†	316331	Pin — Adjusting Lever	2
14	See Note 3	Torque Spider	1
16	445337	Anchor Piston Insert	2
20*†	324095	Spring — Shoe to Shoe	2
22	445359	Pkg. — 5" Brake Lining (1 wheel)	1
	100169	Pkg. — 6" Brake Lining (1 wheel)	1
	100084	Pkg. — 7" Brake Lining (1 wheel)	1
	316996	Unlined Shoe — 5"	2
	316997	Unlined Shoe — 6"	2
	316998	Unlined Shoe — 7"	2
18	445349	Pkg. — 5" Lined Shoe	2
	100163	Pkg. — 6" Lined Shoe	2
	100083	Pkg. — 7" Lined Shoe	2
26*†	322854	Wedge Brake Lubricant (6 oz. Tube)	1
*†	S-607	Instruction Sheet	

Note 1: Use Part No. 319228 for Shield w/o Flange
 Note 2: Use Part No. 319229 for Shield w/o Flange
 Note 3: See Torque Spider Replacement Nos. on Pgs. 25 to 30

*Parts in Major Repair Kit.
 †Parts in Minor Repair Kit.

SERVICE PARTS KEYED TO FIG. 4, PG. 8

Key No.	Part No.	Description	No. Used
	100145	Repair Kit (1 wheel) Minor	1
	100144	Repair Kit (1 wheel) Major	1
1*†	445342	Adjusting Screw & Clip Ass'y (Replaces Pc. Nos. 323162, 316802, 323168 & 318657)	2
2*†	324330	Boot Ass'y	2
3*†	316356	Spring — Adjusting Overload	2
4*	316354	Adjusting Nut	2
5*†	316355	Cap — Adjusting Nut	2
9*	324756	Adjusting Piston	2
10*†	316331	Pin — Adjusting Lever	2
8*†	249941	Spring — Adjusting Lever	2
7†*	249940	Adjusting Lever	2
23	316448	Actuator	1
11	285783	10° Wedge Ass'y	1
	285785	14° Wedge Ass'y	1
	285786	18° Wedge Ass'y	1
27	See Note 1	Backing Plate	1
26*†	49624	Pin — Shoe Hold Down	4
28	312135	Screw & Lockwasher-Actuator Attaching	4
24*†	23969	Cup — Shoe Hold Down	8
25*†	316368	Spring — Shoe Hold Down	4
20*†	445089	Spring — Shoe to Shoe — Yellow (See Note 2)	2
22	318130	Pkg. — 3" Brake Lining (one Axle)	1
	318133	Pkg. — 3½" Brake Lining (one Axle)	1
	445202	Unlined Shoe — 3½" (Replaces 318112)	2
	318113	Unlined Shoe — 3"	
18	445282	Lined Shoe — Forward 3½" (one Shoe) (Replaces 318126)	1
	445284	Lined Shoe — Reverse 3½" (one Shoe) (Replaces 318127)	1
	318128	Lined Shoe — Forward 3" (one Shoe)	1
	318129	Lined Shoe — Reverse 3" (one Shoe)	1
26*†	322854	Wedge Brake Lubricant (6 oz. Tube)	1
*†	S-606	Instruction Sheet	

Note 1: See Backing Plate Replacement Nos. on Pgs. 25 to 30.

Note 2: Part No. 316367 Spring (Shoe to Shoe) Green Not Shown But is Included in Repair Kits. (Pre 121 USE ONLY.)

*Parts in Major Repair Kit.

†Parts in Minor Kit.

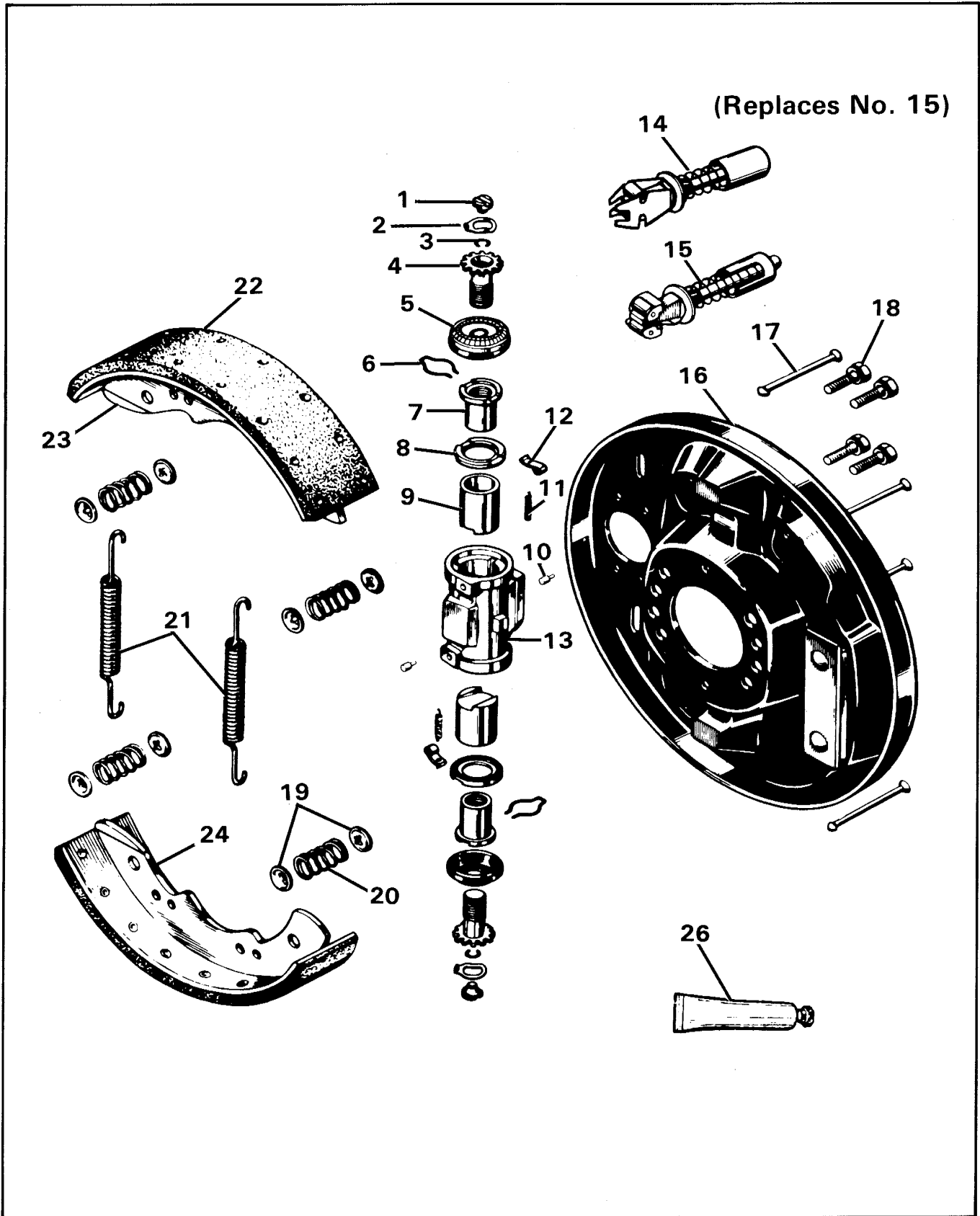


Figure 5. Non-Servo Wedge Brake-Early Design

SERVICE PARTS KEYED TO FIG. 5, Pg. 10

Key No.	Part No.	Description	No. Used
	100145	Repair Kit — Minor (1 wheel) (Replaces 320100)	1
1	323162	Link, Adjusting Screw	Adjusting Screw & Clip 445342 (See Fig. 4, Pg. 8) Replaces These Items.
2†	316802	Detent Spring	
3	323168	Link Retainer	
4	318657	Adjusting Screw	
5†	324330	Boot Ass'y	2
6†	316356	Spring — Adjusting Overload	2
7	316354	Adjusting Nut	2
8†	316355	Cap — Adjusting Nut	2
9	324756	Adjusting Piston	2
10†	316331	Pin — Adjusting Lever	2
11†	249941	Spring Adjusting Lever (Supersedes 316370)	2
12†	249940	Adjusting Lever (Supersedes 316369)	2
13	316448	Actuator	1
14	285783	10° Wedge Ass'y	1
	285785	14° Wedge Ass'y	1
	285786	18° Wedge Ass'y	1
15	318597	10° Wedge Ass'y (Superseded By 285783)	1
	318599	14° Wedge Ass'y (Superseded By 285785)	1
	318601	18° Wedge Ass'y (Superseded By 285786)	1
16	See Note 2	Backing Plate	1
17†	49624	Pin-Shoe Hold Down	4
18	312135	Screw & Lockwasher — Actuator Attaching	4
19†	23969	Cup — Shoe Hold Down	8
20†	316368	Spring — Shoe Hold Down	
21†	316367	Spring — Shoe to Shoe Green (Pre-121) See Note 3	2
22	318130	Pkg. — 3" Brake Lining (One Axle)	1
	318133	Pkg. — 3½" Brake Lining (one Axle)	1
23	318112	Unlined Shoe — 3½" Brake Lining	2
	318113	Unlined Shoe — 3" Brake Lining	2
24	318126	Lined Shoe — Forward 3½" (One Shoe)	1
	318127	Lined Shoe — Reverse 3½" (On Shoe)	1
	318128	Lined Shoe — Forward 3" (One Shoe)	1
	318129	Lined Shoe — Reverse 3" — (one Shoe)	1
26†	322854	Wedge Brake Lubricant (6 oz. Tube)	1
†	S-606	Instruction Sheet	1

Note 2: See Backing Plate Replacement Nos. on Pgs. 25 to 30

Note 3: Spring 445089 Yellow ("121") Included in Repair Kit

†Parts in Minor Repair Kit.

Wedge Brake Vehicle Application

Make, Year & Model	Brake Assy. No.	Super-seded w/ Brake Assy. No.	Wedge Assy.	Wedge Angle	Repair Kits	Lined Shoe			Brake Lining Pkg.
						Twinplex Lined Shoe Pkg.	Non-Servo Individual Lined Shoe		
							Fwd.	Rev.	
BROWN TRAILER									
1976-65 Trailer Axles For all Axles Exc. with riveted flange Multiple Applications	445049 LH 445050 RH	445049 LH 445050 RH	285783	14°	*	319091 (7")	—	—	319092 (7")
1976-69 Trailer Axles	445063 LH 445064 RH	445063 LH 445064 RH	285783	14°	*	319091 (7")	—	—	319092 (7")
DODGE									
1972-68 18,500 & 34,000 Lb. Axles SLHD & 34D	320149 LH 320150 RH	320149 LH 320150 RH	285783	10°	*	319131 (6")	—	—	319132 (6")
1972-69 18,500 & 34,000 Lb. Axles SLHD & 34D	320151 LH 320152 RH	320151 LH 320152 RH	285783	10°	*	319091 (7")	—	—	319132 (7")
1972-68 17,000 & 30,000 Lb. Axles SHHD & 30D	320153 LH 320154 RH	320153 LH 320154 RH	285783	14°	*	320022 (5")	—	—	320475 (5")
1972-69 17,000 & 30,000 Lb. Axles SHHD & 30D	320155 LH 320156 RH	320155 LH 320156 RH	285783	14°	*	319131 (6")	—	—	319132 (6")
1972-69 18,000 & 34,000 Lb. Axles SLHD & 34D	320157 LH 320158 RH	320157 LH 320158 RH	285783	10°	*	319131 (6")	—	—	319132 (6")
1972-69 18,000 & 34,000 Lb. Axles SLHD & 34D	320159 LH 320160 RH	320159 LH 320160 RH	285783	10°	*	319091 (7")	—	—	319092 (7")
FORD									
1972-65 B-C-F-N700 thru 850; F950, N700D, H1000D, N1000D Above Models w/18,500 Lb. Rear Axle, Eaton or Timken	316459 LH 316460 RH	316459 LH 316460 RH	285783	10°	*	319131 (6")	—	—	319132 (6")
1972-65 B-C-F-N700 thru 850; F950, N700D, H1000D, N1000D Above Models w/18,500 Lb. Rear Axle, Eaton or Timken	316461 LH 316462 RH	316461 LH 316462 RH	285783	10°	*	319091 (7")	—	—	319092 (7")
1972-65 B600 thru 750, C600, F600 thru 800, T700 Above Models w/6,000 Lb. Front Axle	317714 LH 317715 RH	317714 LH 317715 RH	285785	14°	†	—	318128 (3")	318129 (3")	318130 (3")
1968-65 B700, 750, C600, 700, 750; F700 thru 950, N700 thru 1000 Above Models w/7,000 Lb. Front Axle	317718 LH 317719 RH	445210 LH 445211 RH	285785	14°	†	—	318128 (3")	318129 (3")	318130 (3")
* Major Repair Kit—100140 Minor Repair Kit—100141	† Major Repair Kit—100144 Minor Repair Kit—100145	‡ Major Repair Kit—100150 Minor Repair Kit—100151							

**Wedge Brake
Vehicle Application**

Make, Year & Model	Brake Assy. No.	Super-seded w/ Brake Assy. No.	Wedge Assy.	Wedge Angle	Repair Kits	Lined Shoe			Brake Lining Pkg.
						Twinplex Lined Shoe Pkg.	Non-Servo Individual Lined Shoe		
							Fwd.	Rev.	
FORD (Continued)									
1972-65 C-F800 thru 1100, H1000 N850 thru 1100-D Above Models w/9,000 Lb. Front Axle	317718 LH 317719 RH	445210 LH 445211 RH	285786	18°	†	—	318128 (3")	318129 (3")	318130 (3")
1972-65 C-F800 thru 1100, H1000; N850 thru 1100-D Above Models w/9,000 or 12,000 Lb. Front Axle	317720 LH 317721 RH	445212 LH 445213 RH	285786	18°	†	—	318126 (3½)	318127 (3½)	318133 (3½)
1972-69 B700, 750, C600, 700, 750; F700 thru 950, N700 thru 1000 Above Models w/7,000 Lb. Front Axle	317722 LH 317723 RH	317722 LH 317723 RH	285785	14°	†	—	318128 (3")	318129 (3")	318130 (3")
1972-65 B-C-F700 thru 750; F800 Above Models w/17,000 Lb. Rear Axle	317730 LH 317731 RH	317730 LH 317731 RH	285786	18°	*	320022 (5")	—	—	320475 (5")
1972-65 C-F-N600 thru 750; F800 Above Models w/17,000 Lb. Rear Axle	317732 LH 317733 RH	317732 LH 317733 RH	285786	18°	*	319131 (6")	—	—	319132 (6")
1968-65 CT800, 850; NT850; T800, 850 Above Models w/34,000 Lb. Rear Axle Timken SLDD	317734 LH 317735 RH	324145 LH 324146 RH	285783	10°	*	319131 (6")	—	—	319132 (6")
1968-65 CT800, 850; T800, 850 Above Models w/34,000 Lb. Rear Axle Timken SLDD	317736 LH 317737 RH	324147 LH 324148 RH	285783	10°	*	319091 (7")	—	—	319092 (7")
1972-65 CT800, 850; NT850; T800, 850 Above Models w/34,000 Lb. Rear Axle w/Hend- rickson Rubber Susp.	324149 LH 324150 RH	100090 LH 100091 RH	285783	10°	*	319131 (6")	—	—	319132 (6")
1972-65 CT800, 850; NT850; T800, 850 Above Models w/34,000 Lb. Rear Axle w/Hend- rickson Rubber Susp.	324151 LH 324152 RH	100092 LH 100093 RH	285783	10°	*	319091 (7")	—	—	319092 (7")

* Major Repair Kit—100140
Minor Repair Kit—100141

† Major Repair Kit—100144
Minor Repair Kit—100145

‡ Major Repair Kit—100150
Minor Repair Kit—100151

**Wedge Brake
Vehicle Application**

Make, Year & Model	Brake Assy. No.	Super-seded w/ Brake Assy. No.	Wedge Assy.	Wedge Angle	Repair Kits	Lined Shoe			Brake Lining Pkg.
						Twinplex Lined Shoe Pkg.	Non-Servo Individual Lined Shoe		
							Fwd.	Rev.	
FORD (Continued)									
1972-65 NT850D (146", 158", 212", W.B.), NT950D (146", 158" W.B.) Above Models w/30,000 Lb. Rear Axle Eaton 30D, w/Hendrickson Steel & Rubber Extension Leaf Susp.	317744 LH 317745 RH	317744 LH 317745 RH	285786	18°	*	320022 (5")	—	—	320475 (5")
1972-65 NT850D (146", 158", 212" W.B.); NT950D (146", 158" W.B.) Above Models w/30,000 Lb. Rear Axle Eaton 30D, w/Hendrickson Steel & Rubber Extension Leaf Susp.	317746 LH 317747 RH	317746 LH 317747 RH	285786	18°	*	319131 (6")	—	—	319132 (6")
1968-65 CT800, 850, HT950, NT850, T800, 850 & 850D Above Models w/34,000 Lb. Rear Axle w/Hendrickson Rubber Susp., Eaton 34D or Timken SLHD Axle, w/Hendrickson Rubber Susp.	317748 LH 317749 RH	324155 LH 324156 RH	285783	10°	*	319131 (6")	—	—	319132 (6")
1968-65 CT800, 850, HT950, NT850, T800, 850 & 850D Above Models w/34,000 Lb. Rear Axle, w/Hendrickson Rubber Susp., or Eaton 34D or Timken SLHD Axle, w/Hendrickson Rubber Susp.	317750 LH 317751 RH	324157 LH 324158 RH	285783	10°	*	319091 (7")	—	—	319092 (7")
1968-66 34,000 Lb. E-34D Axle (Extended Leaf)	317752 LH 317753 RH	324159 LH 324160 RH	285783	10°	*	319131 (6")	—	—	319132 (6")
1968-66 34,000 Lb. E-34D-R Axle (Extended Leaf)	317754 LH 317755 RH	324161 LH 324162 RH	285783	10°	*	319091 (7")	—	—	319092 (7")
1972-65 NT850D, (146", 158", 212" W.B.); NT950D (146", 158" W.B.) Above Models w/Eaton 34D or Timken SLHD Rear Axle, w/Shear Ride Susp.	317756 LH 317757 RH	324163 LH 324164 RH	285783	10°	*	319131 (6")	—	—	319132 (6")

* Major Repair Kit—100140
 † Minor Repair Kit—100141

‡ Major Repair Kit—100144
 † Minor Repair Kit—100145

‡ Major Repair Kit—100150
 † Minor Repair Kit—100151

Wedge Brake Vehicle Application

Make, Year & Model	Brake Assy. No.	Super-seded w/ Brake Assy. No.	Wedge Assy.	Wedge Angle	Repair Kits	Lined Shoe			Brake Lining Pkg.
						Twinplex Lined Shoe Pkg.	Non-Servo Individual Lined Shoe		
							Fwd.	Rev.	
FORD (Continued)									
1972-65 NT850D (146", 158", 212" W.B.); NT950 (146", 156" W.B.) Above Models w/34,000 Lb. Rear Axle, Eaton 34D or Timken SLHD, w/Hendrickson Shear Ride	317758 LH 317759 RH	324165 LH 324166 RH	285783	10°	*	319091 (7")	—	—	319092 (7")
1972-65 NT850D (146", 158", 212" W.B.); NT950D (146", 158" W.B.) Above Models w/30,000 Lb. Rear Axle, Eaton 30D w/Shear Ride Susp.	317760 LH 317761 RH	317760 LH 317761 RH	285786	18°	*	320022 (5")	—	—	320475 (5")
1972-65 NT850D (146", 158", 212" W.B.); NT950D (146", 158" W.B.) Above Models w/30,000 Lb. Rear Axle, Eaton 30D w/Shear Ride Susp.	317762 LH 317763 RH	317762 LH 317763 RH	285786	18°	*	319131 (6")	—	—	319132 (6")
1972-68 9,000 & 12,000 Lb. Axle	320043 LH 320044 RH	445208 LH 445209 RH	285786	18°	†	—	318126 (3½")	318127 (3½")	318133 (3½")
1972-68 17,500 & 30,000 Lb. Axle Exc. w/Shear Ride	322912 LH 322913 RH	322912 LH 322913 RH	285786	18°	†	319091 (7")	—	—	319092 (7")
1972-70 18,000 Lb. Front Axle	322989 LH 322990 RH	322989 LH 322990 RH	285785	14°	*	319131 (6")	—	—	319132 (6")
1972-70 16,000 & 20,000 Lb. Front Axle	322991 LH 322992 RH	322991 LH 322992 RH	285783	10°	*	319131 (6")	—	—	319132 (6")
1972-68 17,500 & 30,000 Lb. Rear Axle, Exc. w/Shear Ride	323390 LH 323391 RH	323390 LH 323391 RH	285783	10°	*	319091 (7")	—	—	319092 (7")
1972-69 17,500 & 30,000 Lb. Rear Axle, Exc. w/Shear Ride	323517 LH 323518 RH	323517 LH 323518 RH	285783	10°	*	319131 (6")	—	—	319132 (6")
1972-69 9,000 & 12,000 Lb. Axle	323908 LH 323908 RH	323908 LH 323908 RH	285786	18°	†	—	318126 (3½")	318127 (3½")	318133 (3½")
1972-69 CT800, 850; NT850; T800, 850 Above Models w/34,000 Lb. Rear axle, Timken SLDD	324145 LH 324146 RH	324145 LH 324146 RH	285783	10°	*	319131 (6")	—	—	319132 (6")

* Major Repair Kit—100140
Minor Repair Kit—100141

† Major Repair Kit—100144
Minor Repair Kit—100145

‡ Major Repair Kit—100150
Minor Repair Kit—100151

Wedge Brake Vehicle Application

Make, Year & Model	Brake Assy. No.	Super-seded w/ Brake Assy. No.	Wedge Assy.	Wedge Angle	Repair Kits	Lined Shoe			Brake Lining Pkg.
						Twinplex Lined Shoe Pkg.	Non-Servo Individual Lined Shoe		
							Fwd.	Rev.	
FORD (Continued)									
1972-69 CT800, 850; T800, 850 Above Models w/34,000 Lb. Rear Timken Axle SLDD	324147 LH 324148 RH	324147 LH 324148 RH	285783	10°	*	319091 (7")	—	—	319092 (7")
1972-65 C950, 1000, F950, 1000, H1000; N950, 1000 Above Models w/23,000 Lb. Rear Axle C-F-N-800 thru 950, H1000; N1000D Above Models w/22,000 Lb. Rear Axle HT950; NT850 Above Models w/23,000 Lb. Rear Axle, Page & Page Susp.	324153 LH 324154 RH	100098 LH 100099 RH	285786	18°	*	319091 (7")	—	—	319092 (7")
1972-69 CT800, 850, HT950, NT850, T800, 850 & 850D Above Models w/34,000 Lb. Rear Axle w/Hend- rickson Rubber Susp., Eaton 34D or Timken SLHD Axle, w/Hend. Rubber Susp.	324155 LH 324156 RH	324155 LH 324156 RH	285783	10°	*	319131 (6")	—	—	319132 (6")
1972-69 CT800, 850, HT900, NT850, T800, 850 & 850D Above Models w/34,000 Lb. Rear Axle w/Hend. Rubber Susp. or Eaton 34D or Timken SLHD Axle w/Hend. Rubber Susp.	324157 LH 324158 RH	324157 LH 324158 RH	285783	10°	*	319091 (7")	—	—	319092 (7")
1972-69 34,000 Lb. E-34D Axle Extended Leaf	324159 LH 324160 RH	324159 LH 324160 RH	285783	10°	*	319131 (6")	—	—	319132 (6")
1972-69 34,000 Lb. E-34D-R Axle Extended Leaf	324161 LH 324162 RH	324161 LH 324162 RH	285783	10°	*	319091 (7")	—	—	319092 (7")
1972-67 17,500 & 30,000 Lb. Rear Axle, Exc. w/Shear Ride	324167 LH 324168 RH	100100 LH 100101 RH	285786	18°	*	319131 (6")	—	—	319132 (6")
1972-68 17,500 & 30,000 Lb. Rear Axle, Shear Ride	324169 LH 324170 RH	100102 LH 100103 RH	285786	18°	*	320022 (5")	—	—	320475 (5")
1972-66 38,000 Lb. Axle on 34,000 Lb. Susp.-Rear	324171 LH 324172 RH	100104 LH 100105 RH	285786	18°	*	319131 (6")	—	—	319132 (6")
1972-67 38,000 Lb. Axle on 34,000 Lb. Susp.-Rear	324173 LH 324174 RH	100106 LH 100107 RH	285786	18°	*	319091 (7")	—	—	319092 (7")

* Major Repair Kit—100140
† Minor Repair Kit—100141

‡ Major Repair Kit—100144
§ Minor Repair Kit—100145

¶ Major Repair Kit—100150
‡ Minor Repair Kit—100151

Wedge Brake Vehicle Application

Make, Year & Model	Brake Assy. No.	Super-seded w/ Brake Assy. No.	Wedge Assy.	Wedge Angle	Repair Kits	Lined Shoe			Brake Lining Pkg.
						Twinplex Lined Shoe Pkg.	Non-Servo Individual Lined Shoe		
							Fwd.	Rev.	
FORD (Continued)									
1972-67 38,000 Lb. Axle on 38,000 Lb. Susp.-Rear	324175 LH 324176 RH	100108 LH 100109 RH	285786	18°	*	319131 (6")	—	—	319132 (6")
1972-67 38,000 Lb. Axle on 38,000 Lb. Susp.-Rear	324177 LH 324178 RH	100110 LH 100111 RH	285786	18°	*	319091 (7")	—	—	319092 (7")
1972-67 38,000 Lb. Axle on 38,000 Lb. Susp.-Rear	324179 LH 324180 RH	100112 LH 100113 RH	285786	18°	*	319131 (6")	—	—	319132 (6")
1972-67 38,000 Lb. Axle on 38,000 Lb. Susp.; 38,000 Lb. Axle on 34,000 Lb. Susp.-Rear	324181 LH 324182 RH	100114 LH 100115 RH	285786	18°	*	319091 (7")	—	—	319092 (7")
1972-67 38,000 Lb. Axle on 38,000 Lb. Susp.-Rear	324183 LH 324184 RH	100116 LH 100117 RH	285786	18°	*	319131 (6")	—	—	319132 (6")
1972-67 38,000 Lb. Axle on 38,000 Lb. Susp.-Rear	324185 LH 324186 RH	100118 LH 100119 RH	285786	18°	*	319091 (7")	—	—	319092 (7")
1972-67 30,000 Lb. Rockwell SHHD Rear Axle	324187 LH 324188 RH	324187 LH 324188 RH	285783	10°	*	320022 (5")	—	—	320475 (5")
1972-67 30,000 Lb. Rockwell SHHD Rear Axle	324189 LH 324190 RH	324189 LH 324190 RH	285783	10°	*	319131 (6")	—	—	319132 (6")
1972-67 30,000 Lb. Rockwell SHHD Rear Axle	324191 LH 324192 RH	324191 LH 324192 RH	285783	10°	*	320022 (5")	—	—	320475 (5")
1972-68 30,000 Lb. Rockwell SHHD Rear Axle	324193 LH 324194 RH	324193 LH 324194 RH	285783	10°	*	319131 (6")	—	—	319132 (6")
1972-69 34,000 Eaton 34D & 34,000 Rockwell SLHD Rear Axle	324195 LH 324196 RH	324195 LH 324196 RH	85783	10°	*	319131 (6")	—	—	319132 (6")
1972-69 34,000 Lb. Eaton 34D & 34,000 Lb. Rockwell SHHD Rear Axle	324197 LH 324198 RH	324197 LH 324198 RH	285783	10°	*	319091 (7")	—	—	319092 (7")
1972-69 34,000 Lb. Eaton Rear Axle	324199 LH 324200 RH	324199 LH 324200 RH	285783	10°	*	319131 (6")	—	—	319132 (6")
1972-69 34,000 Lb. Eaton Rear Axle	324201 LH 324202 RH	324201 LH 324202 RH	285783	10°	*	319091 (7")	—	—	319092 (7")
1972-69 34,000 Lb. Rockwell SLHD Rear Axle	324203 LH 324204 RH	324203 LH 324204 RH	285783	10°	*	319131 (6")	—	—	319132 (6")
1972-69 34,000 Lb. Rockwell SLHD Rear Axle	324205 LH 324206 RH	324205 LH 324206 RH	285783	10°	*	319091 (7")	—	—	319092 (7")
1972-69 38,000 Lb. Eaton Rear Axle	324207 LH 324208 RH	100120 LH 100121 RH	285786	18°	*	319131 (6")	—	—	319132 (6")
1972-69 38,000 Lb. Eaton Rear Axle	324209 LH 324210 RH	100122 LH 100123 RH	285786	18°	*	319091 (7")	—	—	319092 (7")

* Major Repair Kit—100140
† Minor Repair Kit—100141

† Major Repair Kit—100144
‡ Minor Repair Kit—100145

‡ Major Repair Kit—100150
‡ Minor Repair Kit—100151

**Wedge Brake
Vehicle Application**

Make, Year & Model	Brake Assy. No.	Super-seded w/ Brake Assy. No.	Wedge Assy.	Wedge Angle	Repair Kits	Lined Shoe			Brake Lining Pkg.
						Twinplex Lined Shoe Pkg.	Non-Servo Individual Lined Shoe		
							Fwd.	Rev.	
FORD (Continued)									
1972-69 38,000 Lb. Rockwell Rear Axle	324211 LH 324212 RH	100124 LH 100125 RH	285786	18°	*	319131 (6")	—	—	319132 (6")
1972-69 38,000 Lb. Rockwell Rear Axle	324213 LH 324214 RH	100126 LH 100127 RH	285786	18°	*	319091 (7")	—	—	319092 (7")
1972-69 38,000 Lb. Rockwell Rear Axle	324215 LH 324216 RH	100128 LH 100129 RH	285786	18°	*	319131 (6")	—	—	319132 (6")
1972-69 38,000 Lb. Rockwell Rear Axle	324217 LH 324218 RH	100130 LH 100131 RH	285786	18°	*	319091 (7")	—	—	319092 (7")
1972-69 38,000 Lb. Axle on 38,000 Lb. Susp.-Rear	324219 LH 324220 RH	100132 LH 100133 RH	285786	18°	*	319131 (6")	—	—	319132 (6")
1972-70 38,000 Lb. Axle on 38,000 Lb. Susp.-Rear	324221 LH 324222 RH	100134 LH 100135 RH	285786	18°	*	319091 (7")	—	—	319092 (7")
1972-69 38,000 Lb. Axle on 38,000 Lb. Susp.-Rear	324326 LH 324327 RH	100152 LH 100153 RH	285783	10°	*	319131 (6")	—	—	319132 (6")
1972-69 17,500 & 30,000 Lb. Axle, Exc. Shear Ride	324328 LH 324329 RH	100154 LH 100155 RH	285783	10°	*	319091 (7")	—	—	319092 (7")
1972-71 9,000 & 12,000 Lb. Axle	445073 LH 445074 RH	445073 LH 445074 RH	285786	18°	†	—	321826 (3½")	321827 (3½")	318133 (3½")
1972-71 22,000 & 23,000 Lb. Rear Axle	3201261 LH 3201262 RH	100136 LH 100137 RH	285786	18°	*	319091 (7")	—	—	319092 (7")
1972-71 22,000 & 23,000 Lb. Rear Axle	3201263 LH 3201264 RH	100138 LH 100139 RH	285786	18°	*	319091 (7")	—	—	319092 (7")
1972-71 34,000 Lb. Eaton 34D Rear Axle	3201265 LH 3201266 RH	445171 LH 445172 RH	285783	10°	*	319131 (6")	—	—	319132 (6")
1972-71 38,000 Lb. Axle on 34,000 Lb. Susp.-Rear	3201267 LH 3201268 RH	100142 LH 100143 RH	285786	18°	*	319131 (6")	—	—	319132 (6")
1972-71 18,500 & 34,000 Lb. E-34MR Axle w/Hend. Steel & Rubber Susp.-Rear	445069 LH 445070 RH	445069 LH 445070 RH	285783	10°	*	319131 (6")	—	—	319132 (6"6)
1972-71 38,000 Lb. Axle on 34,000 Lb. Susp.-Rear	445045 LH 445046 RH	445045 LH 445046 RH	285785	14°	*	319091 (7")	—	—	319092 (7")
1972-71 38,000 Lb. Axle on 38,000 Lb. Susp.-Rear	445044 LH 445045 RH	445044 LH 445045 RH	285785	14°	*	319091 (7")	—	—	319092 (7")
1972-71 38,000 Lb. Axle on 38,000 Lb. Susp.-Rear	445042 LH 445043 RH	445042 LH 445043 RH	285786	18°	*	319131 (6")	—	—	319132 (6")
FOUR WHEEL DRIVE									
1972-70 23,000, 34,000 & 40,000 Lb. Axles-Rear	323832 LH 323833 RH	323832 LH 323833 RH	285785	14°	*	319091 (7")	—	—	319092 (7")
1972-70 Trailer-Rear	323834 LH 323835 RH	323834 LH 323835 RH	285783	10°	*	319091 (7")	—	—	319092 (7")

* [Major Repair Kit—100140
Minor Repair Kit—100141

† [Major Repair Kit—100144
Minor Repair Kit—100145

‡ [Major Repair Kit—100150
Minor Repair Kit—100151

Wedge Brake Vehicle Application

Make, Year & Model	Brake Assy. No.	Super-seded w/ Brake Assy. No.	Wedge Assy.	Wedge Angle	Repair Kits	Lined Shoe			Brake Lining Pkg.
						Twinplex Lined Shoe Pkg.	Non-Servo Individual Lined Shoe		
							Fwd.	Rev.	
FOUR WHEEL DRIVE (Continued)									
1972-70 Trailer-Rear	323836 LH 323837 RH	323836 LH 323837 RH	285786	18°	*	319091 (7")	—	—	319092 (7")
FREIGHT LINER									
Suspension	319170 LH 319171 RH	319170 LH 319171 RH	285783	10°	*	319091 (7")	—	—	319092 (7")
Hendrickson Susp.	319172 LH 319173 RH	319172 LH 319173 RH	285783	10°	*	319091 (7")	—	—	319092 (7")
Hendrickson Susp.	319174 LH 319175 RH	319174 LH 319175 RH	285783	10°	*	319131 (6")	—	—	319132 (6")
Freightliner Suspension-Rear	319178 LH 319179 RH	319178 LH 319179 RH	285783	10°	*	319091 (7")	—	—	319092 (7")
Tandem Hendrickson Susp.-Rear	319180 LH 319181 RH	319180 LH 319181 RH	285783	10°	*	319091 (7")	—	—	319092 (7")
Freightliner F3-120 Front Axle	323116 LH 323117 RH	323116 LH 323117 RH	285786	18°	†	—	318126 (3½")	318127 (3½")	318133 (3½")
Freightliner FE-900 Front Axle	323118 LH 323119 RH	323118 LH 323119 RH	285786	18°	†	—	318126 (3½")	318127 (3½")	318133 (3½")
FRUEHAUF									
Semi-Trailers 1972-65 Single Axle VDD; SSV; W21N, P, R; ZJ2 All Lengths of above Models w/Tandem Axle VA, B, C, D, E, F, G, H, J; OA, B, C, D, F, G, H, J; GA, B, C, D, E, F, G, H, J; SSOVV; LF, G, H, J; W15N, P, R; W21N, P, R; PB, PL; DA, DB; NDF2; CC-C2, DD-C2; TAG H, P; TEG, H, O; TKM, X; HAB, C, F; HEB, C All Lengths of above Trailer Dollies EB-EI; EB-FI; EL-EI All Fruehauf Applications are for Non-Riveted Flange	445051 LH 445052 RH	445051 LH 445052 RH	285785	14°	*	319091 (7")	—	—	319092 (7")
1972-65 Same as 316497-98 Exc. for adding Dust Shields.	445055 LH 445056 RH	445055 LH 445056 RH	285785	14°	*	319091 (7")	—	—	319092 (7")
1972-70 Trailer-Rear	445059 LH 445060 RH	445059 LH 445060 RH	285785	14°	*	319091 (7")	—	—	319092 (7")
1970 Trailer-Rear	445065 LH 445066 RH	445065 LH 445066 RH	285785	14°	*	319091 (7")	—	—	319092 (7")

* Major Repair Kit—100140
Minor Repair Kit—100141

† Major Repair Kit—100144
Minor Repair Kit—100145

‡ Major Repair Kit—100150
Minor Repair Kit—100151

Wedge Brake Vehicle Application

Make, Year & Model	Brake Assy. No.	Super-seded w/ Brake Assy. No.	Wedge Assy.	Wedge Angle	Repair Kits	Lined Shoe			Brake Lining Pkg.
						Twinplex Lined Shoe Pkg.	Non-Servo Individual Lined Shoe		
							Fwd.	Rev.	
FRUEHAUF (Continued)									
1972-71 Trailer-Rear	445051 LH 445052 RH	445051 LH 445052 RH	285785	14°	*	319091 (7")	—	—	319092 (7")
G.M.C.									
1972-66 34,000 Lb. Axle	319857 LH 319858 RH	319857 LH 319858 RH	285786	18°	*	319131 (6")	—	—	319132 (6")
1972-66 38,000 Lb. SQHD Axle, w/o Air Chambers	319859 LH 319860 RH	319859 LH 319860 RH	285786	18°	*	319091 (7")	—	—	319092 (7")
1972-66 38,000 Lb. SQHD Axle	319861 LH 319862 RH	319861 LH 319862 RH	285786	18°	*	319091 (7")	—	—	319092 (7")
1972-69 Eaton 19101 Axle, w/o Air Chambers	319863 LH 319864 RH	319863 LH 319864 RH	285786	18°	*	319091 (7")	—	—	319092 (7")
1972-69 19,000 Lb. Axle, w/o Air Chambers	319871 LH 319872 RH	319871 LH 319872 RH	285786	18°	*	319131 (6")	—	—	319132 (6")
1972-69 SSHD Axle, w/o Air Chambers	319879 LH 319880 RH	319879 LH 319880 RH	285786	18°	*	319091 (7")	—	—	319092 (7")
1972-69 SSHD Axle, w/o Air Chambers	319881 LH 319882 RH	319881 LH 319882 RH	285786	18°	*	319091 (7")	—	—	319092 (7")
I.H.C.									
1972-67 12,000 Lb. Axle FA-119	319488 LH or RH	319488 LH or RH	285786	18°	†	—	318126 (3½")	318127 (3½")	318133 (3½")
1968-66 38,000 Lb. Rear Axle RA-323, 324, 325, 333, 355, 361, w/F-1911 Steel or Rubber Susp.	319636 LH 319637 RH	324399 LH 324400 RH	285783	10°	*	319091 (7")	—	—	319092 (7")
1972-66 23,000 Lb. Axle RA-47, 57, 152, 172, 252, 257	319638 LH 319639 RH	319638 LH 319639 RH	285783	10°	*	319091 (7")	—	—	319092 (7")
1972-66 38,000 Lb. Forward Rear Axle RA-323, 324, 325, 333, 355, 361, w/CO-4000 Susp.	319640 LH 319641 RH	319640 LH 319641 RH	285783	10°	*	319091 (7")	—	—	319092 (7")
1972-66 38,000 Lb. Forward Rear Axle RA-323-324, 325, 333, 355, 361, w/F-1911 Rubber Susp.	319642 LH 319643 RH	319642 LH 319643 RH	285783	10°	*	319091 (7")	—	—	319092 (7")
1972-66 38,000 Lb. Forward Rear Axle RA-323, 324, 325, 333, 361, w/F-1911 Steel Suspension	319644 LH 319645 RH	319644 LH 319645 RH	285783	10°	*	319091 (7")	—	—	319092 (7")
1972-66 9,000 Lb. Axle FA-109	319735 LH or RH	319735 LH or RH	285786	18°	†	—	318128 (3")	318129 (3")	318130 (3")
1972-66 38,000 Lb. SQHD Axle	319859 LH 319860 RH	319859 LH 319860 RH	285786	18°	*	319091 (7")	—	—	319092 (7")

* Major Repair Kit—100140
† Minor Repair Kit—100141

† Major Repair Kit—100144
‡ Minor Repair Kit—100145

‡ Major Repair Kit—100150
‡ Minor Repair Kit—100151

Wedge Brake Vehicle Application

Make, Year & Model	Brake Assy. No.	Super-seded w/ Brake Assy. No.	Wedge Assy.	Wedge Angle	Repair Kits	Lined Shoe			Brake Lining Pkg.
						Twinplex Lined Shoe Pkg.	Non-Servo Individual Lined Shoe		
							Fwd.	Rev.	
IHC (Continued)									
1972-69 18,000 Lb. on RA-44 Axle	319941 LH 319942 RH	319941 LH 319942 RH	285784	12°	*	319131 (6")	—	—	319132 (6")
1972-69 34,000 Lb. on RA-312, 313, 314, 328, 351 Fwd. Rear Axle w/40° Index	319943 LH 319944 RH	319943 LH 319944 RH	285784	12°	*	319131 (6")	—	—	319132 (6")
1972-69 34,000 Lb. on RA-312, 313, 314, 328, 351 Fwd. Rear Axle w/44° Index	319945 LH 319946 RH	319945 LH 319946 RH	285784	12°	*	319131 (6")	—	—	319132 (6")
1972-69 34,000 Lb. on RA-312, 313, 314, 328, 351 Fwd. Rear Axle w/48° Index	319947 LH 319948 RH	319947 LH 319948 RH	285784	12°	*	319131 (6")	—	—	319132 (6")
1972-69 34,000 Lb. on RA-312, 313, 314, 328, 351 Rear, Rear Axle w/32° Index	319949 LH 319950 RH	319949 LH 319950 RH	285784	12°	*	319131 (6")	—	—	319132 (6")
1972-69 16,000 Lb. FA-128 Axle	319951 LH 319952 RH	319951 LH 319952 RH	285783	10°	*	320129 (4")	—	—	320316 (4")
1972-69 18,000 Lb. FA-129 Axle	319953 LH 319954 RH	319953 LH 319954 RH	285783	10°	*	320022 (5")	—	—	320475 (5")
1969 34,000 Lb. on RA-312, 313, 314, 328, 351 Fwd. Rear Axle w/40° Index	322815 LH 322816 RH	323586 LH 323587 RH	285783	10°	*	319091 (7")	—	—	319092 (7")
1969 34,000 Lb. on RA-312, 313, 314, 328, 351 Rear, Rear Axle w/32° Index	322817 LH 322818 RH	323588 LH 323589 RH	285783	10°	*	319091 (7")	—	—	319092 (7")
1972-69 Farmland	323100 LH 323101 RH	323100 LH 323101 RH	285783	10°	*	319091 (7")	—	—	319092 (7")
1972-69 RA-302, 303, 306, 328 w/RR-RR Rear Axle	323486 LH 323487 RH	323486 LH 323487 RH	285784	12°	*	319091 (7")	—	—	319092 (7")
1972-69 RA-302, 303, 328, w/ Forward RR Axle	323488 LH 323489 RH	323488 LH 323489 RH	285784	12°	*	319091 (7")	—	—	319092 (7")
1972-69 w/Rayco Susp.	323490 LH 323491 RH	323490 LH 323491 RH	285784	12°	*	319091 (7")	—	—	319092 (7")
1972-69 w/Rayco Susp.	323492 LH 323493 RH	323492 LH 323493 RH	285784	12°	*	319091 (7")	—	—	319092 (7")
1972-69 18,500 Lb. w/RA-44 Rear Axle	323584 LH 323585 RH	323584 LH 323585 RH	285784	12°	*	319131 (6")	—	—	319132 (6")
1972-70 34,000 Lb. w/RA-312, 313, 314, 328, 351 Rear Axle	323586 LH 323587 RH	323586 LH 323587 RH	285784	12°	*	319091 (7")	—	—	319092 (7")
1972-70 34,000 Lb. on RA-312, 313, 314, 328, 351 Axles	323588 LH 323589 RH	323588 LH 323589 RH	285784	12°	*	319091 (7")	—	—	319092 (7")

* Major Repair Kit—100140
Minor Repair Kit—100141

Wedge Brake Vehicle Application

Make, Year & Model	Brake Assy. No.	Super-seded w/ Brake Assy. No.	Wedge Assy.	Wedge Angle	Repair Kits	Lined Shoe			Brake Lining Pkg.
						Twinplex Lined Shoe Pkg.	Non-Servo Individual Lined Shoe		
							Fwd.	Rev.	
IHC (Continued)									
1972-69 COF-4070 Dayton Susp. RA-320, 303, 306, 351 (Fwd. Rear Axle) w/44° Index	323779 LH 323780 RH	323779 LH 323780 RH	285784	12°	*	319091 (7")	—	—	319092 (7")
1972-69 COF-4070 Dayton Susp. RA-320, 303, 306, 351 Rear, Rear Axle w/4° Index	323781 LH 323782 RH	323781 LH 323782 RH	285784	12°	*	319091 (7")	—	—	319092 (7")
1972-69 CO-4070 w/R-170 Axle	324044 LH 324045 RH	324044 LH 324045 RH	285783	10°	*	319091 (7")	—	—	319092 (7")
1972-70 D, DC, CO w/FA-119, 215, 218 Axles	324382 LH or RH	324382 LH or RH	285786	18°	†	—	321826 (3½")	321827 (3½")	318133 (3½")
1972-70 D, DC, CO w/RA-72, 73 Axles	324383 LH 324384 RH	324383 LH 324384 RH	285783	10°	*	319091 (7")	—	—	319092 (7")
1972-69 38,000 Lb. Rear Axle, RA-323, 324, 325, 333, 355, 361, w/F-1911 Steel or Rubber Susp.	324399 LH 324400 RH	324399 LH 324400 RH	285783	10°	*	319091 (7")	—	—	319092 (7")
1972-70	324403 LH 324404 RH	324403 LH 324404 RH	285783	10°	*	319091 (7")	—	—	319092 (7")
KENWORTH									
1972-67	319401 LH 319402 RH	319401 LH 319402 RH	285783	10°	*	319091 (7")	—	—	319092 (7")
1972-69 R-170 Axle	323323 LH 323324 RH	323323 LH 323324 RH	285783	10°	*	319091 (7")	—	—	319092 (7"6)
MACK									
1972-68 Model R & T-607 30,000 Lb. w/o Air Chambers	321485 LH 321486 RH	321485 LH 321486 RH	285783	10°	*	319091 (7")	—	—	319092 (7")
1972-68 Model R & T-607, 30,000 Lb. w/Air Chambers	321798 LH 321799 RH	321798 LH 321799 RH	285783	10°	*	319091 (7")	—	—	319092 (7")
PETER BILT MOTOR CO.									
1972-70 Special Equipment	324509 LH 324510 RH 100157-8	324509 LH 324510 RH 100157-8	285783 " "	10° " "	* " "	319091 (7") "	—	—	319092 (7") "
REO									
L, SL, 17,000 Lb. Axle	319994 LH 319995 RH	319994 LH 319995 RH	285783	10°	*	320022 (5")	—	—	320475 (5")
L, SL, 18,500 Lb. Axle	319996 LH 319997 RH	319996 LH 319997 RH	285783	10°	*	319131 (6")	—	—	319132 (6")
L, SL, Q, QT, SQ, 22,000- 23,000 Lb. Axle	319998 LH 319999 RH	319998 LH 319999 RH	285783	10°	*	319091 (7")	—	—	319092 (7")

* Major Repair Kit—100140
Minor Repair Kit—100141

† Major Repair Kit—100144
Minor Repair Kit—100145

‡ Major Repair Kit—100150
Minor Repair Kit—100151

Wedge Brake Vehicle Application

Make, Year & Model	Brake Assy. No.	Super-seded w/ Brake Assy. No.	Wedge Assy.	Wedge Angle	Repair Kits	Lined Shoe			Brake Lining Pkg.
						Twinplex Lined Shoe Pkg.	Non-Servo Individual Lined Shoe		
							Fwd.	Rev.	
SHULER TRAILER AXLE									
Trailer Axles-Most Applications	317158 LH	317158 LH	285785	14°	*	319091 (7")	—	—	319092 (7")
	317159 RH	317159 RH							
Trailers Axles-Limited Applications	317597 LH	317597 LH	285785	14°	*	319091 (7")	—	—	319092 (7")
	317598 RH	317598 RH							
1972-71 Trailer Axles-Rear	445055 LH	445055 LH	285785	14°	*	319091 (7")	—	—	319092 (7")
	445056 RH	445056 RH							
1972-69 Trailer Axles-Rear	445063 LH	445063 LH	285785	14°	*	319091 (7")	—	—	319092 (7")
	445064 RH	445064 RH							
STANDARD FORGE TRAILER AXLE									
Same as 445049-50 used by Brown & Shuler, Exc. less Dust Shields.	319482 LH	319482 LH	285786	18°	†	—	321826 (3½")	321827 (3½")	318133 (3½")
	318483 RH	319483 RH							
	445057 LH	445057 LH	285785	14°	*	319091 (7")	—	—	319092 (7")
	445058 RH	445058 RH							
1972-69	445061 LH	445061 LH	285785	14°	*	319131 (6")	—	—	319032 (6")
	445062 RH	445062 RH							
UNITED MANUFACTURING									
1972-69	323532 LH	323532 LH	285786	18°	†	—	318128 (3")	318129 (3")	318130 (3")
	323533 RH	323533 RH							
WHITE									
1972-66 34,000 Lb. Axle w/ SLHD Tandem Susp.	318426 LH	318426 LH	285783	10°	*	319131 (6")	—	—	319132 (6")
	318427 RH	318427 RH							
1972-67 38,000 Lb. Axle w/ SQHD Tandem Susp.	318428 LH	318428 LH	285783	10°	*	319091 (7")	—	—	319092 (7")
	318429 RH	318429 RH							
1972-66 9400	318430 LH	318430 LH	285783	10°	*	319091 (7")	—	—	319092 (7")
	318431 RH	318431 RH							
1972-67 18,500 & 34,000 Lb. Axle	318432 LH	318432 LH	285783	10°	*	319091 (7")	—	—	319092 (7")
	318433 RH	318433 RH							
1972-66 8,000 Lb. Axle F3-80, F5-80	318940 LH	318940 LH	285786	18°	†	—	318126 (3½")	318127 (3½")	318133 (3½")
	318941 RH	318941 RH							
1972-66 10,000 Lb. Axle FC-100	318942 LH	318942 LH	285785	14°	†	—	318128 (3")	318129 (3")	318130 (3")
	318943 RH	318943 RH							
1972-66 38,000 Lb. SQHD Axle	319861 LH	319861 LH	285786	18°	*	319091 (7")	—	—	319092 (7")
	319862 RH	319862 RH							
1972-68 8,000 Lb. Axle F3-80, F5-80, w/Air Chambers	321414 LH	321414 LH	285786	18°	†	—	318128 (3")	318129 (3")	318130 (3")
	321415 RH	321415 RH							
1972-68 10,000 Lb. Axle F3-100, w/Air Chambers	321416 LH	321416 LH	285785	14°	†	—	318126 (3½")	318127 (3½")	318133 (3½")
	321417 RH	321417 RH							
1972-68 12,000 Lb. Axle F3-120, w/Air Chambers	321418 LH	321418 LH	285785	14°	†	—	318126 (3½")	318127 (3½")	318133 (3½")
	321419 RH	321419 RH							

* [Major Repair Kit—100140
† [Minor Repair Kit—100141

† [Major Repair Kit—100144
‡ [Minor Repair Kit—100145

‡ [Major Repair Kit—100150
§ [Minor Repair Kit—100151

**Wedge Brake
Vehicle Application**

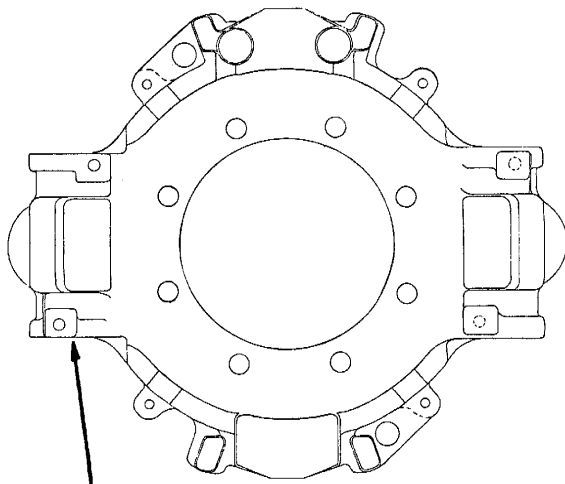
Make, Year & Model	Brake Assy. No.	Super-seded w/ Brake Assy. No.	Wedge Assy.	Wedge Angle	Repair Kits	Lined Shoe			Brake Lining Pkg.
						Twinplex Lined Shoe Pkg.	Non-Servo Individual Lined Shoe		
							Fwd.	Rev.	
SEMI-TRAILERS VARIOUS-FMVSS-121 LEVEL BRAKES									
Axle Wt. 16,000 & 17,000 Lbs.	100013-4	100013-4	285785	14°	*	100040	—	—	100045
Axle Wt. 23,000 Lbs.	100015-6	100015-6	285785	14°	*	445316	—	—	445317
Axle Wt. 18,000, 19,000 & 20,000 Lbs.	100017-8	100017-8	285785	14°	*	319923	—	—	319925
(Rockwell) Axle Wt. 18,000, 19,000 20,000 Lbs.	100021-2	100021-2	285785	14°	*	319923	—	—	319925
Std. Forge Axle Wt. 20,000 Lbs.	100023-4	100023-4	285785	14°	*	100083	—	—	100084
FORD FRONT-FMVSS-121 LEVEL BRAKES									
Axle Wt. 7,000 Lbs.	445192-3	445192-3	285785	14°	†	—	445282	445284	318133
Axle Wt. 9,000 Lbs.	3201814-5	3201814-5	285785	14°	*	445261	—	—	445274
Axle Wt. 16-20,000 Lbs. DSO	100161 LH	101163	285784	12°	‡	—	100163	100163	100169
DSO	100161 RH	101164	285784	12°	‡	—	100163	100163	100169
RPO	101163-4	101163-4	285784	12°	‡	—	100163	100163	100169
WHITE FRONT-FMVSS-121 LEVEL BRAKES F3W & 1200 F6W & 1400									
Axle-White	445353-4	445353-4	285786	18°	‡	445349	—	—	445359
	100181-2	445353-4	285786	18°	‡	445349	—	—	445359
Axle-Rockwell	445355-6	445355-6	285786	18°	‡	445349	—	—	445359

* [Major Repair Kit—100140
Minor Repair Kit—100141

† [Major Repair Kit—100144
Minor Repair Kit—100145

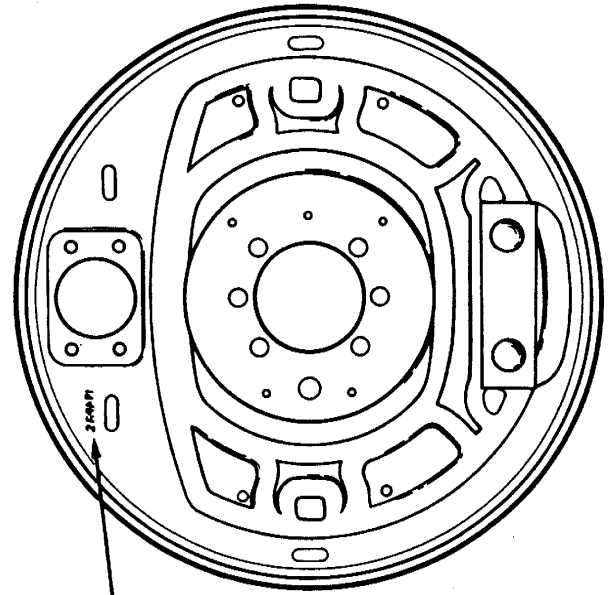
‡ [Major Repair Kit—100150
Minor Repair Kit—100151

Wedge Brake-Torque Spider and Backing Plate Replacement Numbers



Part Number
Stamped Here

Twinplex
TORQUE SPIDER



Part Number
Stamped Here

Non-Servo
BACKING PLATE

Each Torque Spider and Backing Plate has a Part No. stamped on it as shown above. The listing below converts this Stamped No. (Column 1), to the Service Replacement No. of the corresponding Torque Spider or Backing Plate. Bracketed numbers are special order and not factory stock items.

Identifi- cation Part No. Stamped on Plate	Twinplex Torque Spider Repl. No.	Non-Servo Backing Plate Repl. No.	Used on Brake Assemblies	Description
316401 LH & RH		316400 LH & RH	317716-7	(Use 445214-5)
316401 LH & RH		316400 LH & RH	445214-5	Supersedes 317716-7
316401 LH & RH		316400 LH & RH	323532-3	
316408-9	316442-3		317730-1	15x5"
316408-9	316442-3		317732-3	15x6"
316428-9	316446-7		317734-5	15x6" (Use 324145-6)
316428-9	316446-7		324145-6	Supersedes 317734-5
316428-9	316446-7		317736-7	15x7" (Use 324147-8)
316428-9	316446-7		324147-8	Supersedes 317736-7
316858-9		316860-1	317718-9	15x3" (Use 445210-11)
316858-9		316860-1	445210-11	Supersedes 317718-9
316858-9		316860-1	317720-1	15x3½" (Use 445212-3)
316858-9		316860-1	445212-3	Supersedes 317720-1
316858-9		316860-1	445073-4	15x3½"
316905-6		316901-2	317714-5	15x3"
317602-3	317628-9		317597-8	15x7" (Use 445055-6)
	or		445055-6	Supersedes 317597-8
	445036-7		316459-60	15x6" (Use 317738-9)
317703-4	317705-6			
or	or			
317782-3	318011-2		317738-9	Supersedes 316459-60
317782-3	318011-2		317738-9	(Use 324149-50)
317782-3	318011-2		324149-50	Supersedes 317738-9
317782-3	318011-2		324149-50	(Use 100094-5)

Wedge Brake-Torque Spider and Backing Plate Replacement Numbers

Identifi- cation Part No. Stamped on Plate	Twinplex Torque Spider Repl. No.	Non-Servo Backing Plate Repl. No.	Used on Brake Assemblies Description
317782-3	318011-2		100094-5 Supersedes 324149-50
317782-3	318011-2		316461-2 15x7" (Use 317740-1)
317782-3	318011-2		317740-1 Supersedes 316461-2
317782-3	318011-2		317740-1 (Use 324151-2)
317782-3	318011-2		314151-2 Supersedes 317740-1
317782-3	318011-2		324151-2 (Use 100096-7)
317782-3	318011-2		100096-7 Supersedes 324151-2
317772-3	317774-5		317744-5 15x5"
317772-3	317774-5		317746-7 15x6"
317772-3	317774-5		317760-1 15x5"
317772-3	317774-5		317762-3 15x6"
317778-9	317780-1		317748-9 15x6" (Use 324155-6)
317778-9	317780-1		324155-6 Supersedes 317748-9
317778-9	317780-1		317750-1 15x7" (Use 324157-8)
317778-9	317780-1		324157-8 Supersedes 317750-1
317782-3	318011-2		317738-9 15x6" (Use 324149-50)
317782-3	318011-2		324149-50 Supersedes 317738-9
317782-3	318011-2		324149-50 (Use 100090-1)
317782-3	318011-2		100090-1 Supersedes 324149-50
317782-3	318011-2		317740-1 15x7" (Use 324151-2)
317782-3	318011-2		324151-2 Supersedes 317740-1
317782-3	318011-2		324151-2 (Use 100092-3)
317782-3	318011-2		100092-3 Supersedes 324151-2
317782-3	318011-2		445069-70 15x6"
317965-6	317970-1		317752-3 15x6" (Use 324159-60)
317965-6	317970-1		324159-60 Supersedes 317752-3
317965-6	317970-1		317754-5 15x7" (Use 324161-2)
317965-6	317970-1		324161-2 Supersedes 317754-5
318083-4	318087-8		317756-7 15x6" (Use 324163-4)
318083-4	318087-8		324163-4 Supersedes 317756-7
318083-4	318087-8		317758-9 15x7" (Use 324165-6)
318083-4	318087-8		324165-6 Supersedes 317758-9
			318428-9 15x7"
318887-8	318889-90		318430-1 15x7"
318887-8	318889-90		324044-5 15x7"
318887-8	318889-90		324383-4 15x7"
318893-4	318899-900		318426-7 15x6"
318893-4	318899-900		318432-3 15x7"
318952-3		318950-1	318940-1 15x3½"
318952-3		318950-1	318942-3 15x3"
318952-3		318950-1	321414-5 15x3"
318952-3		318950-1	321416-7 15x3½"
318952-3		318950-1	321418-9 15x3½"
318952-3		318950-1	323116-7 15x3½"
319165-6	319410-1		319170-1 15x7"
319167-8	319412-3		319172-3 15x7"
319406-7	319408-9		319401-2 15x3½"
319420-1	319422-3		319994-5 15x5"
319420-1	319422-3		319996-7 15x6"
319420-1	319422-3		319998-9 15x7"

Wedge Brake-Torque Spider and Backing Plate Replacement Numbers

Identifi- cation Part No. Stamped on Plate	Twinplex Torque Spider Repl. No.	Non-Servo Backing Plate Repl. No.	Used on Brake Assemblies Description
319483-4	319916-7		319857-8 15x6"
319486-7		319484-5	319482-3 15x3½"
319486-7		319484-5	323118-9 15x3½"
319602-3	319626-7		319636-7 15x7"
319602-3	319626-7		324399-400 15x7"
319606-7	319628-9		319638-9 15x7"
319611-2	319630-1		319640-1 15x7"
319611-2	319630-1		324403-4 15x7"
319615-6	319632-3		319642-3 15x7"
319619-20	319634-5		319644-5 15x7"
319845-6	319918-9		319859-60 15x7"
319847-8	319920-1		319861-2 15x7"
319930-1	320253-4		319174-5 15x6"
319955-6	320083-4		319941-2 15x6"
319955-6	320083-4		323584-5 15x6"
319957-8	320085-6		319943-4 15x6"
319957-8	320085-6		322815-6 15x7" (Use 323586-7)
319957-8	320085-6		323586-7 Supersedes 322815-6
319959-60	320081-2		319945-6 15x6"
319959-60	320081-2		323779-80 15x7"
319961-2	320068-9		319947-8 15x6"
319961-2	320068-9		323488-9 15x7"
319963-4	320087-8		319949-50 15x6"
319963-4	320087-8		322817-8 15x7" (Use 323588-9)
319963-4	320087-8		323588-9 Supersedes 322817-8
319965-6	320108-9		319951-2 15x4"
319965-6	320108-9		319953-4 15x5"
319985-6	320016-7		319863-4 15x7"
320012 LH & RH		320020 LH & RH	319488 15x3½"
320012 LH & RH		320020 LH & RH	319735 15x3"
320012 LH & RH		320020 LH & RH	324382 15x3½"
320047-8		320045-6	320043-4 15x3½" (Use 445208-9)
320047-8		320045-6	445208-9 Supersedes 320043-4
320138-9	320141-2		320153-4 15x5"
320138-9	320141-2		320155-6 15x6"
320759-60	323392-3		319180-1 15x7"
321284-5	321282-3		317766-7 15x6" (Use 324167-8)
321284-5	321282-3		324167-8 Supersedes 317766-7
321284-5	321282-3		324167-8 (Use 100100-1)
321284-5	321282-3		100100-1 Supersedes 324167-8
321284-5	321282-3		317768-9 15x5" (Use 324169-70)
321284-5	321282-3		324169-70 Supersedes 317768-9
321284-5	321282-3		324169-70 (Use 100102-3)
321284-5	321282-3		100102-3 Supersedes 324169-70
321284-5	321282-3		318731-2 15x6" (Use 324179-80)
321284-5	321282-3		324179-80 Supersedes 318731-2
321284-5	321282-3		324179-80 (Use 100112-3)
321284-5	321282-3		100112-3 Supersedes 324179-80
321284-5	321282-3		318733-4 15x5" (Use 324169-70)
321284-5	321282-3		324169-70 Supersedes 318733-4

Wedge Brake-Torque Spider and Backing Plate Replacement Numbers

Identifi- cation Part No. Stamped on Plate	Twinplex Torque Spider Repl. No.	Non-Servo Backing Plate Repl. No.	Used on Brake Assemblies Description
321284-5	321282-3		324169-70 (Use 100102-3)
321284-5	321282-3		100102-3 Supersedes 324169-70
321284-5	321282-3		322912-3 15x7"
321284-5	321282-3		323390-1 15x7"
321284-5	321282-3		323517-8 15x6"
321284-5	321282-3		324326-7 15x6" (Use 100152-3)
321284-5	321282-3		100152-3 Supersedes 324326-7
321284-5	321282-3		324328-9 15x7" (Use 100154-5)
321284-5	321282-3		100154-5 Supersedes 324328-9
321546-7	321722-3		321485-6 15x7"
321546-7	321722-3		321789-90 15x7"
321975-6	322080-1		319871-2 15x6"
322428-9	322433-4		320149-50 15x6"
322428-9	322433-4		320151-2 15x7"
322577-8	322575-6		319879-80 15x7"
322588-9	322586-7		319881-2 15x7"
322840-1	322844-5		320157-8 15x6"
322840-1	322844-5		320159-60 15x7"
322874-5	322876-7		319178-9 15x7"
322980-1	322984-5		316497-8 15x7" (Use 445051-2)
or	or		
100035-6	100033-4		445051-2 Supersedes 316497-8
100035-6	100033-4		317158-9 15x7" (Use 445049-50)
100035-6	100033-4		445049-50 Supersedes 317158-9
100035-6	100033-4		317359-60 15x7" (Use 445051-2)
100035-6	100033-4		445051-2 Supersedes 317359-60
100035-6	100033-4		320964-5 15x7" (Use 445053-4)
100035-6	100033-4		445053-4 Supersedes 320964-5
100035-6	100033-4		321286-7 15x7" (Use 445057-8)
100035-6	100033-4		445057-8 Supersedes 321286-7
100035-6	100033-4		323436-7 15x6" (Use 445061-2)
100035-6	100033-4		445061-2 Supersedes 323436-7
100035-6	100033-4		323951-2 15x7" (Use 445063-4)
100035-6	100033-4		445063-4 Supersedes 323951-2
322980-1	322984-5		445059-60 15x7"
or	or		
100035-6	100033-4		445065-6 15x7"
323102-3	323107-8		323100-1 15x7"
323325-6	323329-30		323323-4 15x7"
323495-6	316444-5		317442-3 15x7" (Use 324153-4)
323495-6	316444-5		324153-4 Supersedes 317442-3
323495-6	316444-5		324153-4 (Use 100098-9)
323495-6	316444-5		100098-9 Supersedes 324153-4
323495-6	316444-5		100136-7 15x7"
323495-6	316444-5		100138-9 15x7"
323497-8	318695-6		318713-4 15x6" (Use 324171-2)
323497-8	318695-6		324171-2 Supersedes 318713-4
323497-8	318695-6		324171-2 (Use 100104-5)
323497-8	318695-6		100104-5 Supersedes 324171-2
323497-8	318695-6		318715-6 15x7" (Use 324173-4)

Wedge Brake-Torque Spider and Backing Plate Replacement Numbers

Identification Part No. Stamped on Plate	Twinplex Torque Spider Repl. No.	Non-Servo Backing Plate Repl. No.	Used on Brake Assemblies Description
323497-8	318695-6		324173-4 Supersedes 318715-6
323497-8	318695-6		324173-4 (Use 100106-7)
323497-8	318695-6		100106-7 Supersedes 324173-4
323497-8	318695-6		100142-3 15x6"
323497-8	318695-6		445144-5 15x7"
323499-500	318697-8		318717-8 15x6" (Use 324175-6)
323499-500	318697-8		324175-6 Supersedes 318717-8
323499-500	318697-8		324175-6 (Use 100108-9)
323499-500	318697-8		100108-9 Supersedes 324175-6
323499-500	318697-8		318719-20 15x7" (Use 324177-8)
323499-500	318697-8		324177-8 Supersedes 318719-20
323499-500	318697-8		324177-8 (Use 100110-11)
323499-500	318697-8		100110-11 Supersedes 324177-8
323501-2	318699-700		318721-2 15x6" (Use 324179-80)
323501-2	318699-700		324179-80 Supersedes 318721-2
323501-2	318699-700		324179-80 (Use 100112-3)
323501-2	318699-700		100112-3 Supersedes 324179-80
323501-2	318699-700		318723-4 15x7" (Use 324181-2)
323501-2	318699-700		324181-2 Supersedes 318723-4
323501-2	318699-700		324181-2 (Use 100114-5)
323501-2	318699-700		100114-5 Supersedes 324181-2
323503-4	318701-2		318725-6 15x6" (Use 324183-4)
323503-4	318701-2		324183-4 Supersedes 318725-6
323503-4	318701-2		324183-4 (Use 100116-7)
323503-4	318701-2		100116-7 Supersedes 324183-4
323503-4	318701-2		318727-8 15x7" (Use 324185-6)
323503-4	318701-2		324185-6 Supersedes 318727-8
323503-4	318701-2		324185-6 (Use 100118-9)
323503-4	318701-2		100118-9 Supersedes 324185-6
323509-10	323507-8		323486-7 15x7"
323524-5	323522-3		323490-1 15x7"
323530-1	323528-9		323492-3 15x7"
323759-60	323765-6		323732-3 15x7"
323759-60	323765-6		323835-6 15x7"
323759-60	323765-6		323837-8 15x7"
323838-9	323734-5		323781-2 15x7"
323919 LH & RH		323918 LH & RH	323908 15x3½"
323968-9		323966-7	317722-3 15x3" (Use 445215-6)
323968-9		323966-7	445215-6 Supersedes 317722-3
324089-90	324093-4		322989-90 15x6" (Use 100146-7)
324089-90	324093-4		100146-7 Supersedes 322989-90
324089-90	324093-4		322991-2 15x6" (Use 100148-9)
324089-90	324093-4		100148-9 Supersedes 322991-2
324240-1	324235-6		324187-8 15x5"
324240-1	324235-6		324189-90 15x6"
324246-7	324244-5		324191-2 15x5"
324246-7	324244-5		324193-4 15x6"
324254-5	324252-3		324195-6 15x6"
324254-5	324252-3		324197-8 15x7"

Wedge Brake-Torque Spider and Backing Plate Replacement Numbers

Identifi- cation Part No. Stamped on Plate	Twinplex Torque Spider Repl. No.	Non-Servo Backing Plate Repl. No.	Used on Brake Assemblies	Description
324261-2	324258-9		324199-200	15x6"
324261-2	324258-9		324201-2	15x7"
324261-2	324258-9		445071-2	15x6"
324267-8	324265-6		324203-4	15x6"
324267-8	324265-6		324205-6	15x7"
324273-4	324271-2		324207-8	15x6" (Use 100120-1)
324273-4	324271-2		100120-1	Supersedes 324207-8
324273-4	324271-2		324209-10	15x7" (Use 100122-3)
324273-4	324271-2		100122-3	Supersedes 324209-10
324281-2	324279-80		324211-2	15x6" (Use 100124-5)
324281-2	324279-80		100124-5	Supersedes 324211-2
324281-2	324279-80		324213-4	15x7" (Use 100126-7)
324281-2	324279-80		100126-7	Supersedes 324213-4
324287-8	324285-6		324215-6	15x6" (Use 100128-9)
324287-8	324285-6		100128-9	Supersedes 324215-6
324287-8	324285-6		324217-8	15x7" (Use 100130-1)
324287-8	324285-6		100130-1	Supersedes 324217-8
324611-2	324617-8		324509-10	15x7"
324784-5	324782-3		324219-20	15x6" (Use 100132-3)
324784-5	324782-3		100132-3	Supersedes 324219-20
324784-5	324782-3		324221-2	15x7" (Use 100134-5)
324784-5	324782-3		100134-5	Supersedes 324221-2
324784-5	324782-3		445044-5	15x7"
324784-5	324782-3		445042-3	15x6"
3201077-8	100096-7		100157-8	15x7"
100035-6	100033-4		100013-4	15x7"
100035-6	100033-4		100015-6	15x7"
100035-6	100033-4		100017-8	15x7"
445087-8		445085-6	445192-3	15x3 ¹ / ₂ "
445197-8	445014-5		3201814-5	15x5"
445323-4	445329-30		445353-4	15x5"
445325-6	445333-4		445355-6	15x5"
100065-6	100063-4		100021-2	15x7"
100035-6	100033-4		100023-4	15x7"
100171	100175		100177-8	15x5"
445323-4	445330-1		100181-2	15x5"
100165 L.H.	101161		100161 LH	15x6" D.S.O.
100165 R.H.	101162		100161 RH	15x6" D.S.O.
293475-6	101161-2		101163-4	15x6" R.P.O.

**Conversion List-A.C.S.G. (Old No.)
to H.V.S.G. (New No.)**

A.C.S.G.	H.V.S.G.	DESCRIPTION
309-S-26	445075	Rivet $\frac{3}{16}$ Front
3200010	286421	Kit
3200047	286420	Kit
3200048	285781	Kit
3200050	285782	Kit
3200429	445049	Assembly Brake Trailer-LH
3200430	445050	Assembly Brake Trailer-RH
3200431	445051	Assembly Brake Trailer-LH
3200432	445052	Assembly Brake Trailer-RH
3200433	445053	Assembly Brake Trailer-LH
3200434	445054	Assembly Brake Trailer-RH
3200435	445055	Assembly Brake Trailer-LH
3200436	445056	Assembly Brake Trailer-RH
3200437	446057	Assembly Brake Trailer-LH
3200438	445058	Assembly Brake Trailer-RH
3200439	445059	Assembly Brake Trailer-LH
3200440	445060	Assembly Brake Trailer-RH
3200441	445063	Assembly Brake Trailer-LH
3200442	445064	Assembly Brake Trailer-RH
3200443	445061	Assembly Brake Trailer-LH
3200444	445062	Assembly Brake Trailer-RH
3200445	445065	Assembly Brake Trailer-LH
3200446	445066	Assembly Brake Trailer-RH
3200447	100006	Clip Spring Basic
3200448	100007	Clip Spring Service
3200449	285786	Assembly 18° Wedge
3200454	445034	Assembly Torque Spider-LH
3200455	445035	Assembly Torque Spider-RH
3200464	445036	Assembly Torque Spider-LH
3200465	445037	Assembly Torque Spider-RH
3200586	100228	Package — Lining Set
3200704	100002	Clip Spring Basic

**Conversion List-A.C.S.G. (Old No.)
to H.V.S.G. (New No.)**

A.C.S.G.	H.V.S.G.	DESCRIPTION
3200705	100003	Clip Spring Service
3200706	100004	Roller-Wedge Basic
3200707	100005	Roller-Wedge Service
3200708	285783	Assembly 10° Wedge
3200709	285784	Assembly 12° Wedge
3200710	285785	Assembly 14° Wedge
3200834	100157	Assembly Brake Rear-LH
3200835	100158	Assembly Brake Rear-RH
3201073	100094	Assembly Torque Spider-LH
3201074	100095	Assembly Torque Spider-RH
3201075	100096	Assembly Torque Spider-LH
3201076	100097	Assembly Torque Spider-RH
3201077	100159	Torque Spider-Finished-LH
3201078	100160	Torque Spider-Finished-RH
3201207	249940	Lever Aut. Adjuster
3201208	249941	Spring Aut. Adjuster
3201209	249942	Spring-Shoe to Shoe
3201210	249943	Damper-Shoe to Shoe Spr.
3201259	445073	Assembly Brake Rear-LH
3201260	445074	Assembly Brake Rear-RH
3201261	100136	Assembly Brake Rear-LH
3201262	100137	Assembly Brake Rear-RH
3201263	100138	Assembly Brake Rear-LH
3201264	100139	Assembly Brake Rear-RH
3201265	445071	Assembly Brake Rear-LH
3201226	445072	Assembly Brake Rear-RH
3201267	100142	Assembly Brake Rear-LH
3201268	100143	Assembly Brake Rear-RH
3201269	445069	Assembly Brake Rear-LH
3201270	445070	Assembly Brake Rear-RH
3201273	445044	Assembly Brake Rear-LH
3201274	445045	Assembly Brake Rear-RH

**Conversion List-A.C.S.G. (Old No.)
to H.V.S.G. (New No.)**

A.C.S.G.	H.V.S.G.	DESCRIPTION
3201281	445042	Assembly Brake Rear-LH
3201282	445043	Assembly Brake Rear-RH
3201406	249925	Spring-Shoe Hold Down
3201512	100008	Assembly Torque Spider-LH
3201513	100009	Assembly Torque Spider-RH
3201604	100079	Assembly Brake Rear-LH
3201605	100080	Assembly Brake Rear-RH
3201834	445020	Assembly Torque Spider-LH
3201835	445021	Assembly Torque Spider-RH
3201936	100057	Assembly Torque Spider-LH
3201937	100058	Assembly Torque Spider-RH
3202307	445067	Assembly Torque Spider-LH
3202308	445068	Assembly Torque Spider-RH
3202641	100231	Backing Plate-LH
3202642	100232	Backing Plate-RH
3202644	445346	Clip Adj. Screw (Wide)
3202645	445347	Clip Adj. Screw (Small)
3202735	445345	Adjusting Screw
3202736	445343	Assembly Adj. Screw (Wide)
3202737	445342	Assembly Adj. Screw (Small)
3202738	445357	Assembly Adj. Screw (Wide)
3202739	445358	Assembly Adj. Screw (Small)
3202740	445338	Assembly Adj. Scr. Supersedes 324762
3202741	445344	Assembly Adj. Scr. and Nut (Small)
3202742	100059	Assembly Actuator Front-Supersedes 324869
3202773	100090	Assembly Brake Rear-LH
3202774	100091	Assembly Brake Rear-RH
3202775	100092	Assembly Brake Rear-LH
3202776	100093	Assembly Brake Rear-RH
3202777	100098	Assembly Brake Rear-LH
3202778	100099	Assembly Brake Rear-RH
3202787	100100	Assembly Brake Rear-LH

**Conversion List-A.C.S.G. (Old No.)
to H.V.S.G. (New No.)**

A.C.S.G.	H.V.S.G.	DESCRIPTION
3202788	100101	Assembly Brake Rear-RH
3202789	100102	Assembly Brake Rear-LH
3202790	100103	Assembly Brake Rear-RH
3202791	100104	Assembly Brake Rear-LH
3202792	100105	Assembly Brake Rear-RH
3202793	100106	Assembly Brake Rear-LH
3202794	100107	Assembly Brake Rear-RH
3202795	100108	Assembly Brake Rear-LH
3202796	100109	Assembly Brake Rear-RH
3202797	100110	Assembly Brake Rear-LH
3202798	100111	Assembly Brake Rear-RH
3202799	100112	Assembly Brake Rear-LH
3202800	100113	Assembly Brake Rear-RH
3202801	100114	Assembly Brake Rear-LH
3202802	100115	Assembly Brake Rear-RH
3202803	100116	Assembly Brake Rear-LH
3202804	100117	Assembly Brake Rear-RH
3202805	100118	Assembly Brake Rear-LH
3202806	100119	Assembly Brake Rear-RH
3202819	100120	Assembly Brake Rear-LH
3202820	100121	Assembly Brake Rear-RH
3202821	100122	Assembly Brake Rear-LH
3202822	100123	Assembly Brake Rear-RH
3202823	100124	Assembly Brake Rear-LH
3202824	100125	Assembly Brake Rear-RH
3202825	100126	Assembly Brake Rear-LH
3202826	100127	Assembly Brake Rear-RH
3202827	100128	Assembly Brake Rear-LH
3202828	100129	Assembly Brake Rear-RH
3202829	100130	Assembly Brake Rear-LH
3202830	100131	Assembly Brake Rear-RH
3202831	100132	Assembly Brake Rear-LH

**Conversion List-A.C.S.G. (Old No.)
to H.V.S.G. (New No.)**

A.C.S.G.	H.V.S.G.	DESCRIPTION
3202832	100133	Assembly Brake Rear-RH
3202833	100134	Assembly Brake Rear-LH
3202834	100135	Assembly Brake Rear-RH
3202843	100152	Assembly Brake Rear-LH
3202844	100153	Assembly Brake Rear-RH
3202845	100154	Assembly Brake Rear-LH
3202846	100155	Assembly Brake Rear-RH
3203231	445208	Assembly Brake Front-LH
3203232	445209	Assembly Brake Front-RH
3203233	445210	Assembly Brake Front-LH
3203234	445211	Assembly Brake Front-RH
3203235	445212	Assembly Brake Front-LH
3203236	445213	Assembly Brake Front-RH
3203237	445214	Assembly Brake Front-LH
3203238	445215	Assembly Brake Front-RH
3203239	445216	Assembly Brake Front-LH
3203240	445217	Assembly Brake Front-RH
3203241	100146	Assembly Brake Front-LH
3203242	100147	Assembly Brake Front-RH
3203243	100148	Assembly Brake Front-LH
3203244	100149	Assembly Brake Front-RH

**Conversion List-H.V.S.G. (New No.)
to A.C.S.G. (Old No.)**

H.V.S.G.	A.C.S.G.	DESCRIPTION
100002	3200704	Clip Spring Basic
100003	3200705	Clip Spring Service
100004	3200706	Roller-Wedge Basic
100005	3200707	Roller-Wedge Service
100006	3200447	Clip Spring Basic
100007	3200448	Clip Spring Service
100008	3201512	Assembly Torque Spider-LH
100009	3201513	Assembly Torque Spider-RH
100057	3201936	Assembly Torque Spider-LH
100058	3201937	Assembly Torque Spider-RH
100059	3202742	Assembly Actuator Front- Supersedes 324869
100079	3201604	Assembly Brake Rear-LH
100080	3201605	Assembly Brake Rear-RH
100090	3202773	Assembly Brake Rear-LH
100091	3202774	Assembly Brake Rear-RH
100092	3202775	Assembly Brake Rear-LH
100093	3202776	Assembly Brake Rear-RH
100094	3201073	Assembly Torque Spider-LH
100095	3201074	Assembly Torque Spider-RH
100096	3201075	Assembly Torque Spider-LH
100097	3201076	Assembly Torque Spider-RH
100098	3202777	Assembly Brake Rear-LH
100099	3202778	Assembly Brake Rear-RH
100100	3202787	Assembly Brake Rear-LH
100101	3202788	Assembly Brake Rear-RH
100102	3202789	Assembly Brake Rear-LH
100103	3202790	Assembly Brake Rear-RH
100104	3202791	Assembly Brake Rear-LH
100105	3202792	Assembly Brake Rear-RH
100106	3202793	Assembly Brake Rear-LH
100107	3202794	Assembly Brake Rear-RH
100108	3202795	Assembly Brake Rear-LH

**Conversion List-H.V.S.G. (New No.)
to A.C.S.G. (Old No.)**

H.V.S.G.	A.C.S.G.	DESCRIPTION
100109	3202796	Assembly Brake Rear-RH
100110	3202797	Assembly Brake Rear-LH
100111	3202798	Assembly Brake Rear-RH
100112	3202799	Assembly Brake Rear-LH
100113	3202800	Assembly Brake Rear-RH
100114	3202801	Assembly Brake Rear-LH
100115	3202802	Assembly Brake Rear-RH
100116	3202803	Assembly Brake Rear-LH
100117	3202804	Assembly Brake Rear-RH
100118	3202805	Assembly Brake Rear-LH
100119	3202806	Assembly Brake Rear-RH
100120	3202819	Assembly Brake Rear-LH
100121	3202820	Assembly Brake Rear-RH
100122	3202821	Assembly Brake Rear-LH
100123	3202822	Assembly Brake Rear-RH
100124	3202823	Assembly Brake Rear-LH
100125	3202824	Assembly Brake Rear-RH
100126	3202825	Assembly Brake Rear-LH
100127	3202826	Assembly Brake Rear-RH
100128	3202827	Assembly Brake Rear-LH
100129	3202828	Assembly Brake Rear-RH
100130	3202829	Assembly Brake Rear-LH
100131	3202830	Assembly Brake Rear-RH
100132	3202831	Assembly Brake Rear-LH
100133	3202832	Assembly Brake Rear-RH
100134	3202833	Assembly Brake Rear-LH
100135	3202834	Assembly Brake Rear-RH
100136	3201261	Assembly Brake Rear-LH
100137	3201262	Assembly Brake Rear-RH
100138	3201263	Assembly Brake Rear-LH
100139	3201264	Assembly Brake Rear-RH
100142	3201267	Assembly Brake Rear-LH

**Conversion List-H.V.S.G. (New No.)
to A.C.S.G. (Old No.)**

H.V.S.G.	A.C.S.G.	DESCRIPTION
100143	3201268	Assembly Brake Rear-RH
100146	3203241	Assembly Brake Front-LH
100147	3203242	Assembly Brake Front-RH
100148	3203243	Assembly Brake Front-LH
100149	3203244	Assembly Brake Front-RH
100152	3202843	Assembly Brake Rear-LH
100153	3202844	Assembly Brake Rear-RH
100154	3202845	Assembly Brake Rear-LH
100155	3202846	Assembly Brake Rear-RH
100157	3200834	Assembly Brake Rear-LH
100158	3200835	Assembly Brake Rear-RH
100159	3201077	Torque Spider-Finished-LH
100160	3201078	Torque Spider-Finished-RH
100228	3200586	Package-Lining Set
100231	3202641	Backing Plate-LH
100232	3202642	Backing Plate-RH
249925	3201406	Spring-Shoe Hold Down
249940	3201207	Lever Aut. Adjuster
249941	3201208	Spring Aut. Adjuster
249942	3201209	Spring-Shoe to Shoe
249943	3201210	Damper-Shoe to Shoe Spr.
285781	3200048	Kit
285782	3200050	Kit
285783	3200708	Assembly 10° Wedge
285784	3200709	Assembly 12° Wedge
285785	3200710	Assembly 14° Wedge
285786	3200449	Assembly 18° Wedge
286420	3200047	Kit
286421	3200010	Kit
445020	3201834	Assembly Torque Spider-LH
445021	3201835	Assembly Torque Spider-RH
445034	3200454	Assembly Torque Spider-LH

**Conversion List-H.V.S.G. (New No.)
to A.C.S.G. (Old No.)**

H.V.S.G.	A.C.S.G.	DESCRIPTION
445035	3200455	Assembly Torque Spider-RH
445036	3200464	Assembly Torque Spider-LH
445037	3200465	Assembly Torque Spider-RH
445042	3201281	Assembly Brake Rear-LH
445043	3201282	Assembly Brake Rear-RH
445044	3201273	Assembly Brake Rear-LH
445045	3201274	Assembly Brake Rear-RH
445049	3200429	Assembly Brake Trailer-LH
445050	3200430	Assembly Brake Trailer-RH
445051	3200431	Assembly Brake Trailer-LH
445052	3200432	Assembly Brake Trailer-RH
445053	3200433	Assembly Brake Trailer-LH
445054	3200434	Assembly Brake Trailer-RH
445055	3200435	Assembly Brake Trailer-LH
445056	3200436	Assembly Brake Trailer-RH
445057	3200437	Assembly Brake Trailer-LH
445058	3200438	Assembly Brake Trailer-RH
445059	3200439	Assembly Brake Trailer-LH
445060	3200440	Assembly Brake Trailer-RH
445061	3200443	Assembly Brake Trailer-LH
445062	3200444	Assembly Brake Trailer-RH
445063	3200441	Assembly Brake Trailer-LH
445064	3200442	Assembly Brake Trailer-RH
445065	3200445	Assembly Brake Trailer-LH
445066	3200446	Assembly Brake Trailer-RH
445067	3202307	Assembly Torque Spider-LH
445068	3202308	Assembly Torque Spider-RH
445069	3201269	Assembly Brake Rear-LH
445070	3201270	Assembly Brake Rear-RH
445071	3201265	Assembly Brake Rear-LH
445072	3201266	Assembly Brake Rear-RH
445073	3201259	Assembly Brake Rear-LH

**Conversion List-H.V.S.G. (New No.)
to A.C.S.G. (Old No.)**

H.V.S.G.	A.C.S.G.	DESCRIPTION
445074	3201260	Assembly Brake Rear-RH
445075	309-S-26	Rivet $\frac{3}{16}$ Front
445208	3203231	Assembly Brake Front-LH
445209	3203232	Assembly Brake Front-RH
445210	3203233	Assembly Brake Front-LH
445211	3203234	Assembly Brake Front-RH
445212	3203235	Assembly Brake Front-LH
445213	3203236	Assembly Brake Front-RH
445214	3203237	Assembly Brake Front-LH
445215	3203238	Assembly Brake Front-RH
445216	3203239	Assembly Brake Front-LH
445217	3203240	Assembly Brake Front-RH
445338	3202740	Assembly Adj. Scr. Supersedes 324762
445342	3202737	Assembly Adj. Screw (Small)
445343	3202736	Assembly Adj. Screw (Wide)
445344	3202741	Assembly Adj. Scr. and Nut (Small)
445345	3202735	Adjusting Screw
445346	3202644	Clip Adj. Screw (Wide)
445347	3202645	Clip Adj. Screw (Small)
445357	3202738	Assembly Adj. Screw (Small)
445358	3202739	Assembly Adj. Screw (Wide)
100232-3	3202641-2	Backing Plate

NOTES