

DuraFlo™ 596 Compressor

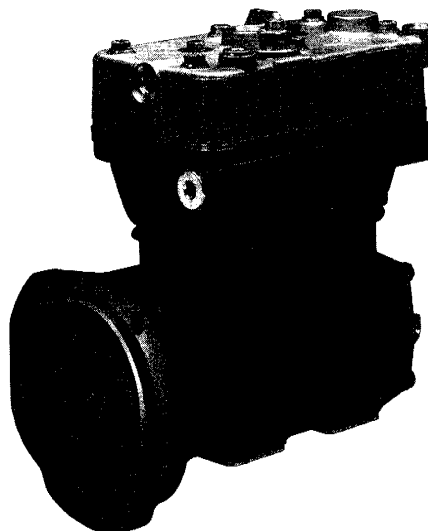


The DuraFlo™ 596 Compressor is an engine driven, two cylinder, reciprocating compressor with a displacement of 27 cubic feet per minute at 1250 RPM.

It is an engine lubricated compressor with a water cooled cylinder head and valve body assembly and an air cooled cylinder block. It also has a built in unloading and ESS or energy saving system which reduces the power requirements for the compressor in the unloaded mode.

For Installation and Maintenance Information, see SD-01-670.

VMRS No. 13-009-001
Weight 58 lbs. approx.



DURAFLO™ 596

MAINTENANCE KITS

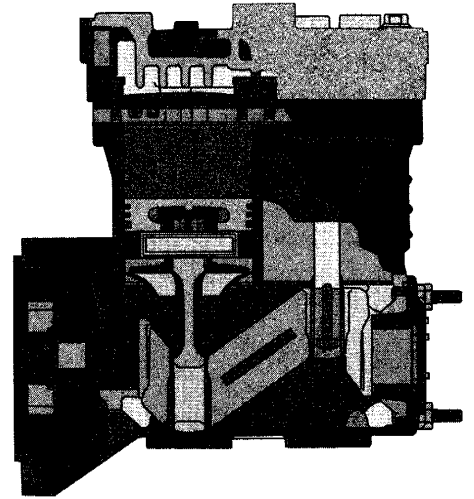
Reference illustration 01-P-3

Cylinder Head Maintenance Kit **5006406** consists of the following:

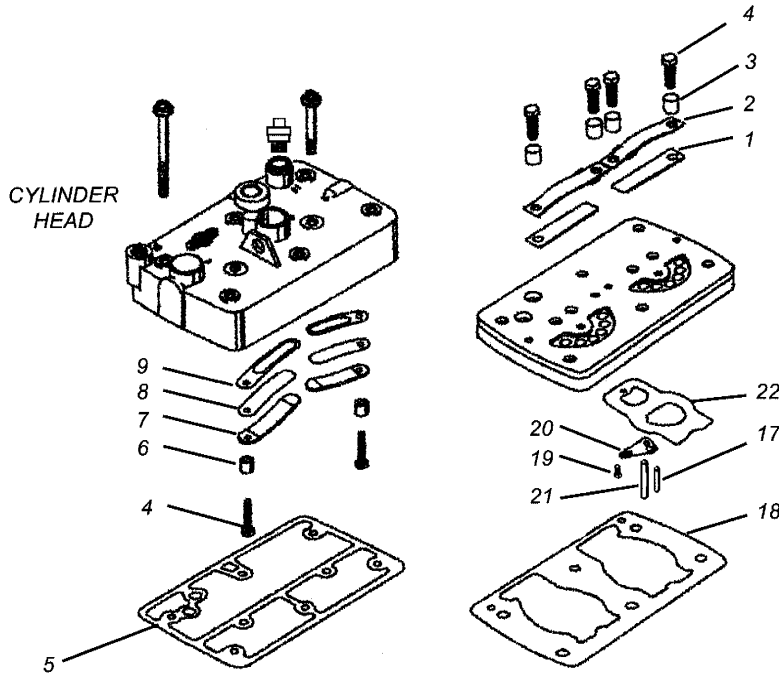
ITEM	DISCRIPTION	QTY.
1	Discharge Reed Valve	2
2	Discharge Valve Stop	2
3	Discharge Spacer Sleeve	4
4	Discharge Intake Bolt	6
5	Gasket	1
6	Intake Spacer Sleeve	2
7	Intake Valve Stop	2
8	Intake Reed Valve	2
9	Intake Valve Seat	2

Unloader Maintenance Kit **5006407** consists of the following:

ITEM	DISCRIPTION	QTY.
10	Plug (U.S. thread)	1
11	Plug (Metric thread)	1
12	O-Ring	2
13	Unloader Piston	2
14	O-Ring	2
15	Split Ring	2
16	Spring	2
17	Roll Pin	2
18	Gasket	1
19	Pivot Stud	2
20	Pivot Arm	2
21	Roll Pin	2
22	Sliding Reed Valve	2
23	Grease	1

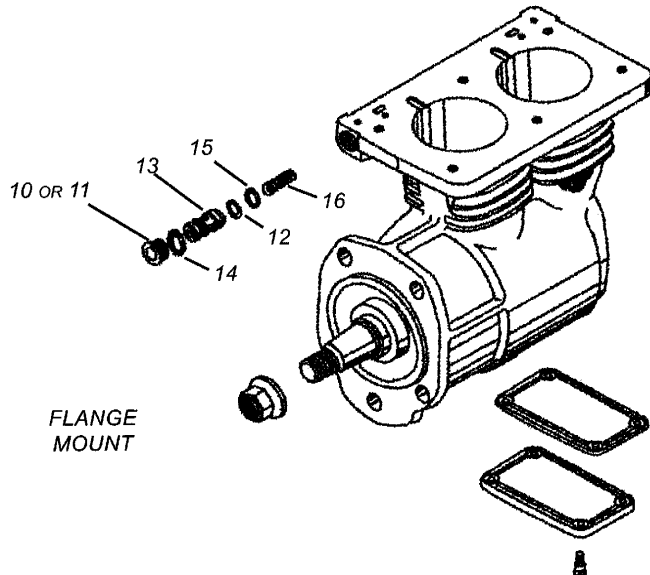


Compressor
Sectional View



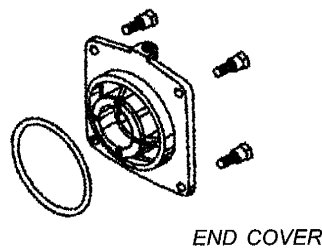
CYLINDER
HEAD

VALVE BODY
ASSEMBLY



CRANKCASE
& CYLINDER
BLOCK

FLANGE
MOUNT

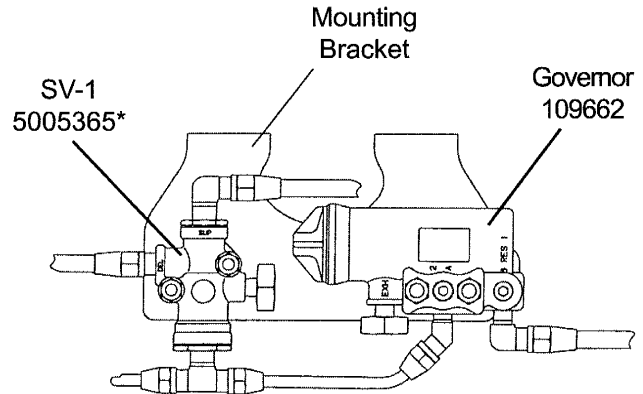


END COVER

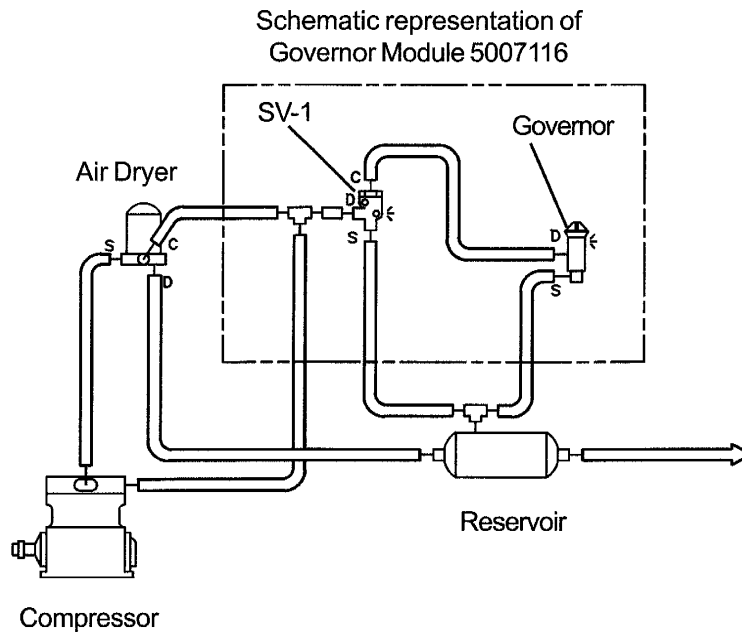
The DuraFlo 596 requires a governor and synchro valve for proper operation. These two valves are available as service items or may be purchased as a module.

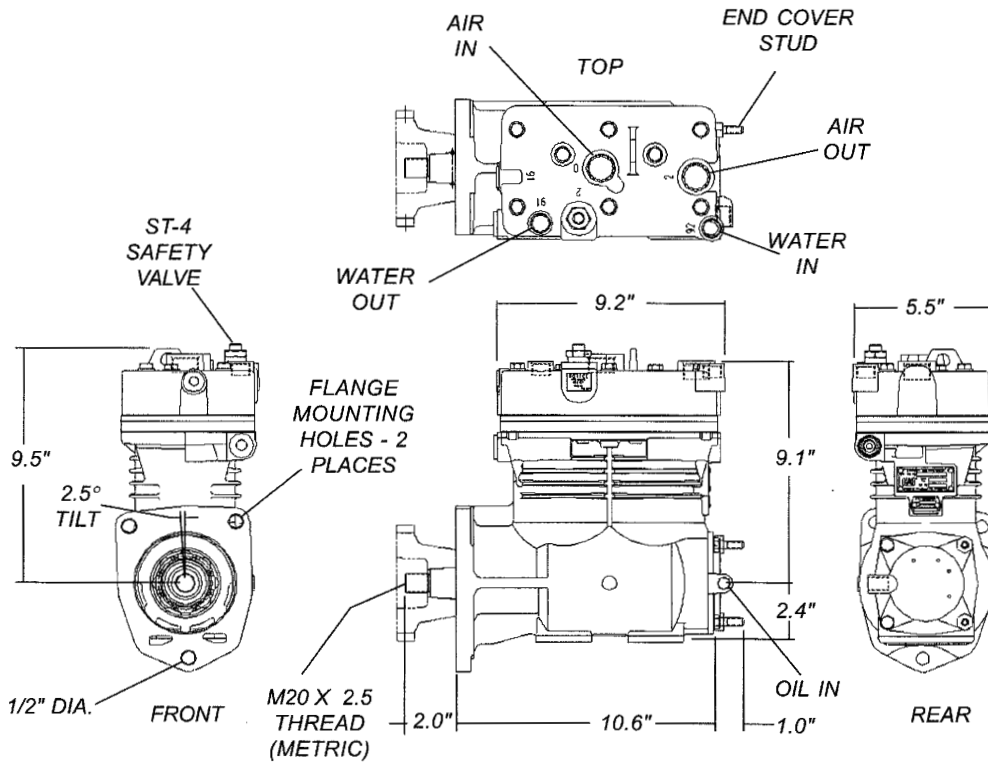
Governor Module 5007116 includes the D-2 governor, SV-1 synchro valve, mounting bracket and all necessary hardware to facilitate installation on the vehicle frame rail.

***Note:** High durability SV-1 piece number 5005365 must be used in this application.



**Governor Module
5007116**

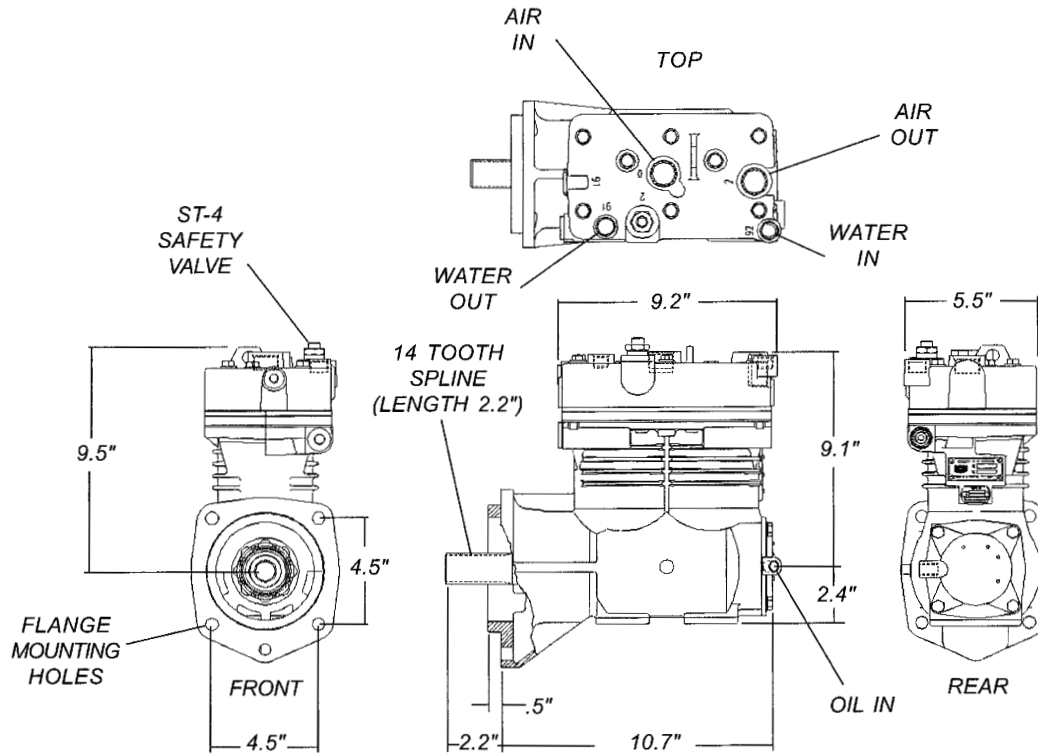




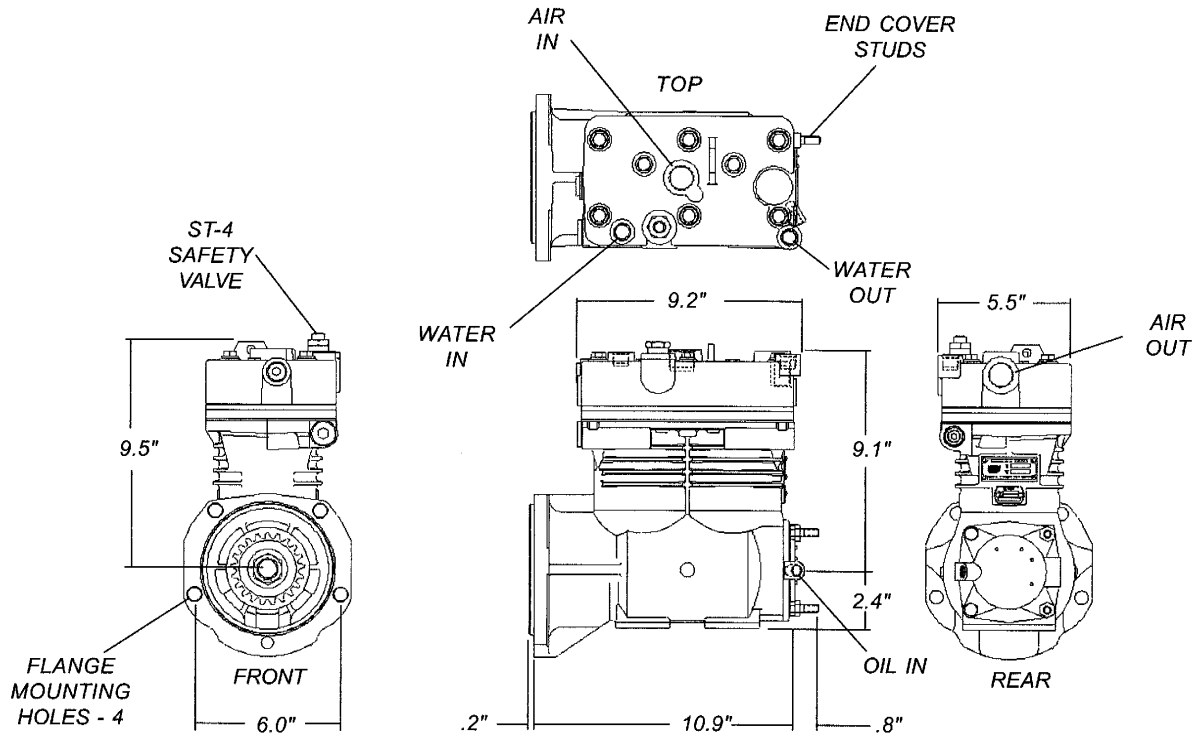
O.E. Pc. No.	Serv. Pc. No.	Reman. Pc. No.	Customer Piece No.	Flange Mounting Holes	Air Inlet (NPT)	Air Outlet (NPT)	Water In (NPT)	Water Out (NPT)	Oil In (NPT)	End Cover Studs
5004713 5007076 5007077	800696	5007085	163-6367 163-6367 OR-9901	1/2" dia.	1 1/16"	1 1/16"	3/4"	3/4"	1/2"	M8 x 1.25
5004717 5007095 5007096	800703	5007099	163-6365 163-6365 OR-9903	1/2"-13 thd	1 1/16"	1 1/16"	3/4"	3/4"	1/2"	—
5006567 5006568 5006569	800658	5006570	175-6779 175-6779 OR-9900	1/2" dia.	1 1/16"	1 1/16"	3/4"	3/4"	1/2"	—

**CHANGEOVER
FROM TU FLO-1400
TO DURAFLO™ 596**

TF-1400	DuraFlo Service	DuraFlo Reman.	Engine
5003273 5003379 5003380 800331	800696	5007085	Caterpillar C10/C12
104500 109591 108222	800703	5007099	Caterpillar 3406B & C
5005607 5005764 5002203	800658	5006570	Caterpillar 3406E



O.E. Pc. No.	Serv. Pc. No.	Reman. Pc. No.	Customer Piece No.	Flange Mounting Holes	Air In (NPT)	Air Out (NPT)	Water In (NPT)	Water Out (NPT)	Oil In (NPT)	End Cover Studs
5006352	800635	5006353	—	1/2" dia.	1 1/16"	1 1/16"	3/4"	3/4"	1/2"	—
5006354										
5006355										



O.E. Pc. No.	Serv. Pc. No.	Reman. Pc. No.	Customer Piece No.	Flange Mounting Holes	Air In (Metric)	Air Out (Metric)	Water In (Metric)	Water Out (Metric)	Oil In (Metric)	End Cover Studs
5004416	800595	5005875	23524143	.56" dia.	M27x2	M27x2	M16x1.5	M16x1.5	M12x1.5	M8x1.25
5004417			23514143							
5005920										