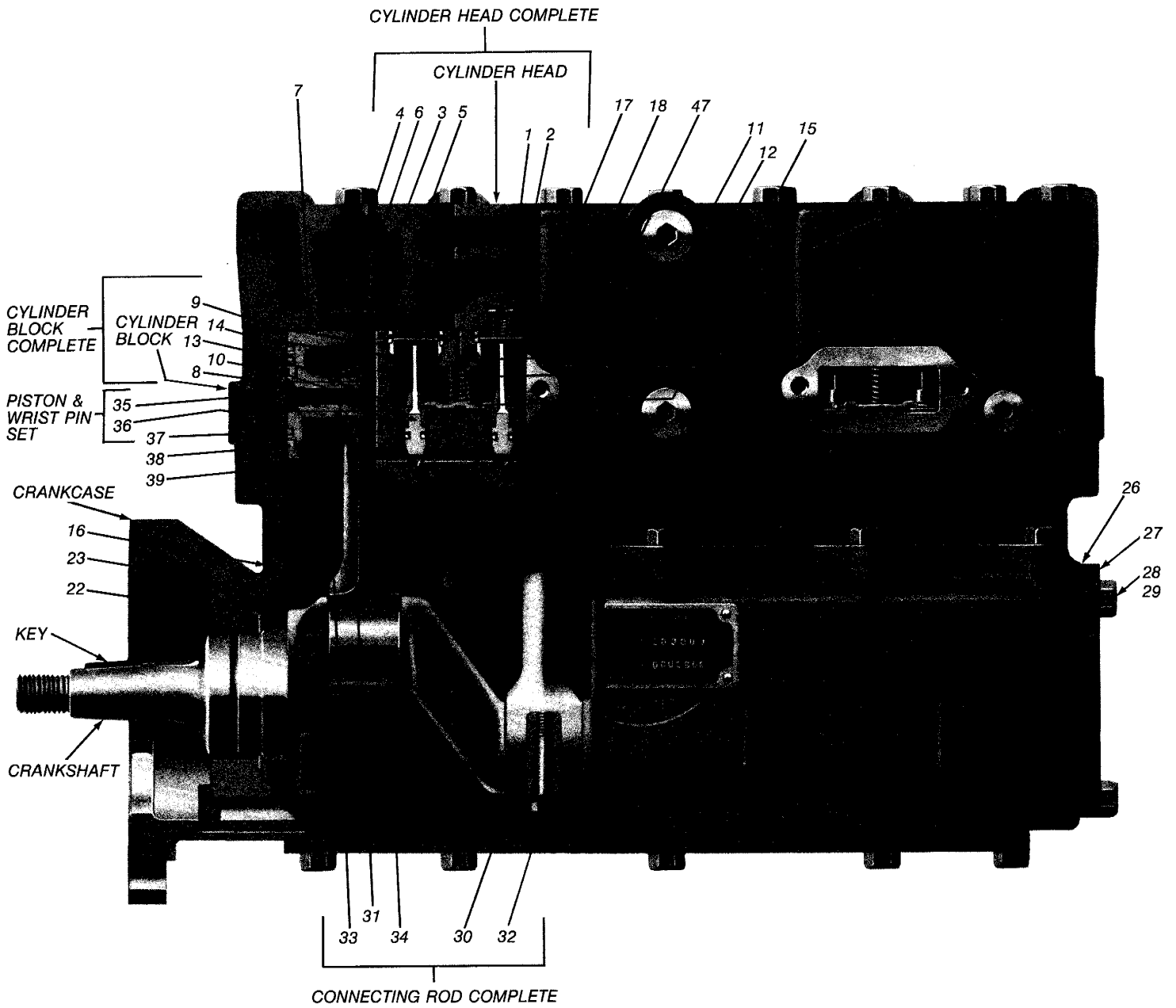




Bendix Parts Catalog

CATALOG 01-M-1

TU-FLO 1400L ***AIR COMPRESSORS***



TU-FLO 1400L

TU-FLO 1400L air compressor is an engine driven, four cylinder reciprocating type compressor with a displacement of 31 cu. ft. per min. at 1250 RPM.

It is available in an engine lubricated, water cooled, direct drive configuration.

Operating limitations:

- Maximum crankshaft speed - 3000 rpm
- Maximum discharge temperature - 400°F.

Device Code - 334
V.M.R.S. No. 13-009-001

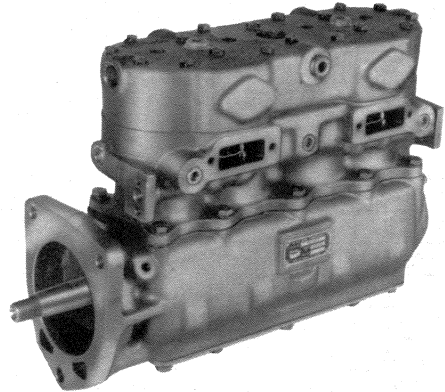
Field Maintenance Kits & Service Parts

DESCRIPTION	PC. NO.	JOURNAL OR BORE SIZE
FIELD MAINTENANCE KIT	104592	NONE
UNLOADER KIT	279615	NONE
PISTON RING SET (STD.)	282525	NONE
PISTON RING SET (.010 O.S.)	282526	NONE
PISTON RING SET (.020 O.S.)	282527	NONE
PISTON RING SET (.030 O.S.)	282528	NONE
PISTON & WRIST PIN SET (STD.)	289891	2.748
PISTON & WRIST PIN KIT (.010 O.S.)	289892	2.758
PISTON & WRIST PIN KIT (.020 O.S.)	289893	2.768
PISTON & WRIST PIN KIT (.030 O.S.)	289894	2.778
ALUM. CONN. ROD W/O INSERTS	289187	NONE
ALUM. CONN. ROD W/STD. INSERTS	289186	1.1253
STEEL CONN. ROD W/O INSERTS	289775	NONE
STEEL CONN. ROD W/STD. INSERTS	289770	1.125
CONN. ROD INSERT KIT (STD.) (EACH KIT CONTAINS 2 INSERTS)	282767	1.125
CONN. ROD INSERT KIT (.010 O.S.) (EACH KIT CONTAINS 2 INSERTS)	282768	1.115
CONN. ROD INSERT KIT (.020 O.S.) (EACH KIT CONTAINS 2 INSERTS)	282769	1.105
CONN. ROD INSERT KIT (.030 O.S.) (EACH KIT CONTAINS 2 INSERTS)	282770	1.095

NOTE:
Insert Kits are packaged 10 per carton. Order in lots of 10 to facilitate handling.

EXCHANGE AND CHANGEOVER INFORMATION

The TU-FLO 1400L Air Compressors are available with either an original equipment piece number, service new piece number or a remanufactured/exchange number. Common detail parts and dimensional information are illustrated in the compressor line drawings preceeding each catalog page. Conversion and changeover information is featured prominently in the same position on each page for ease of use.



**FIELD MAINTENANCE KIT
104592 CONSISTS OF:**

KEY NO.	QTY.	PC. NO.	DESCRIPTION
*	1	236577	GOV GASKET
—	2	279615	MAINTENANCE KIT
3	4	—	DCHG VALVE
6	4	—	DCHG VLV SPRING
7	1	297427	CYL HEAD GASKET
17	4	—	INL VLV SPRING
18	4	—	INL VALVE GUIDE
47	4	—	INLET VALVE

*NOT ILLUSTRATED

**UNLOADER KIT 279615
CONSISTS OF:**

KEY NO.	QTY.	DESCRIPTION
10	2	UNL PISTON CPL
11	1	UNL SPRING SEAT
12	1	UNL SPRING
13	2	PLUNGER GUIDE
14	2	UNL PLUNGER
15	1	UNL SPRING SDL
19	1	STRAINER GASKET

TWO UNLOADER KITS ARE REQUIRED TO SERVICE ONE COMPRESSOR.

KEY NO.	QTY.	PC. NO.	DESCRIPTION
—	1	D	CYLINDER HEAD COMPL.
—	1	D	CYLINDER HEAD
1	4	D	INLET VALVE SPRING SEAT
2	4	D	SPRING INSERT
3	4	B	DISCHARGE VALVE
4	4	D	VALVE STOP
5	4	294751	DISCHARGE VALVE SEAT
6	4	A, B	DISCHARGE VALVE SPRING
7	1	A, B	CYLINDER HEAD GASKET
—	1	D	CYLINDER BLOCK COMPL.
—	1	D	CYLINDER BLOCK
8	4	D	BUSHING
9	4	D	INLET VALVE SEAT
10	4	A, B	UNLOADER PISTON COMPLETE
11	2	A, B	UNLOADER SPRING SEAT
12	2	A, B	UNLOADER SPRING
13	4	A, B	PLUNGER GUIDE
14	4	A, B	UNLOADER PLUNGER
15	2	A, B	UNLOADER SPRING SADDLE
16	1	297428	CYLINDER BLOCK GASKET
17	4	B	INLET VALVE SPRING
18	4	A, B	INLET VALVE GUIDE
19	2	A, B	STRAINER GASKET
20	1	D	INLET MANIFOLD
—	1	D	CRANKCASE & CRANKSHAFT COMPL.
—	1	D	CRANKCASE
—	1	D	CRANKSHAFT
21	1	D	NUT
22	1	290020	FRONT SLEEVE BEARING

KEY NO.	QTY.	PC. NO.	DESCRIPTION
23	1	246470	THRUSTWASHER
24	1	297431	CENTER SLEEVE BEARING
25	1	235440	BALL BEARING
26	1	D	END COVER GASKET
27	1	D	REAR END COVER
28	4	237648	LOCKWASHER
29	4	237315	CAP SCREW
—	4	C	CONNECTING ROD COMPLETE
30	4	C	CONN ROD & CAP COMPLETE
31	4	C	WRIST PIN BUSHING
32	8	C	CAP SCREW
33	8	C	WRIST PIN BUTTON
34	8	C	BEARING INSERT
—	4	C	PISTON & WRIST PIN SET
35	4	C	WRIST PIN
36	4	C	PISTON
—	4	C	PISTON RING SET
37	12	C	STANDARD PISTON RING
38	8	C	STANDARD OIL RING
39	8	C	EXPANDER RING
40	1	297429	CRANKCASE COVER GASKET
41	4	A, B	INLET VALVE

- A. Furnished in unloader kit 279615
- B. Furnished in field maintenance kit 104592
- C. Available only in sets shown on page 01-M-2
- D. Piece No. listed in sub assy. & detail reference sections

Note: After installing pulley, coupling, gear, etc., torque on crankshaft nut must not exceed 120 ft. lbs. minimum torque to be established by customer.

Maintenance kits shown on page 01-M-2.

PORT SIZES

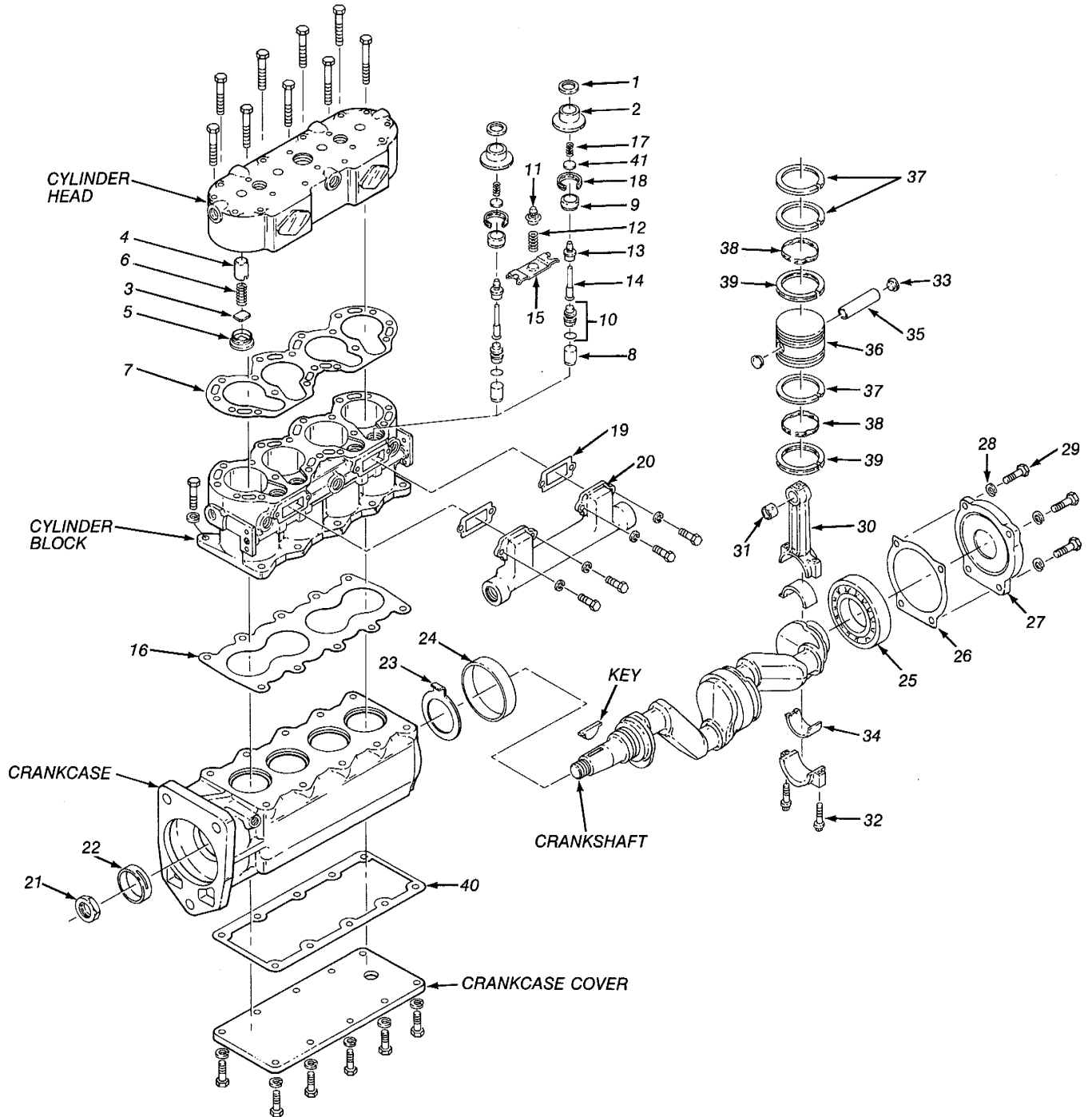
CYLINDER HEAD	
AIR DISCHARGE	1-11½ NPT
WATER OUTLET	½-14 NPT
CYLINDER BLOCK	
AIR INLET	¾-14 NPT
WATER INLET	¾-18 NPT
GOVERNOR	¼-18 NPT
CRANKCASE	
OIL INLET	⅝-27 NPT
OIL DRAIN	½-14 NPT

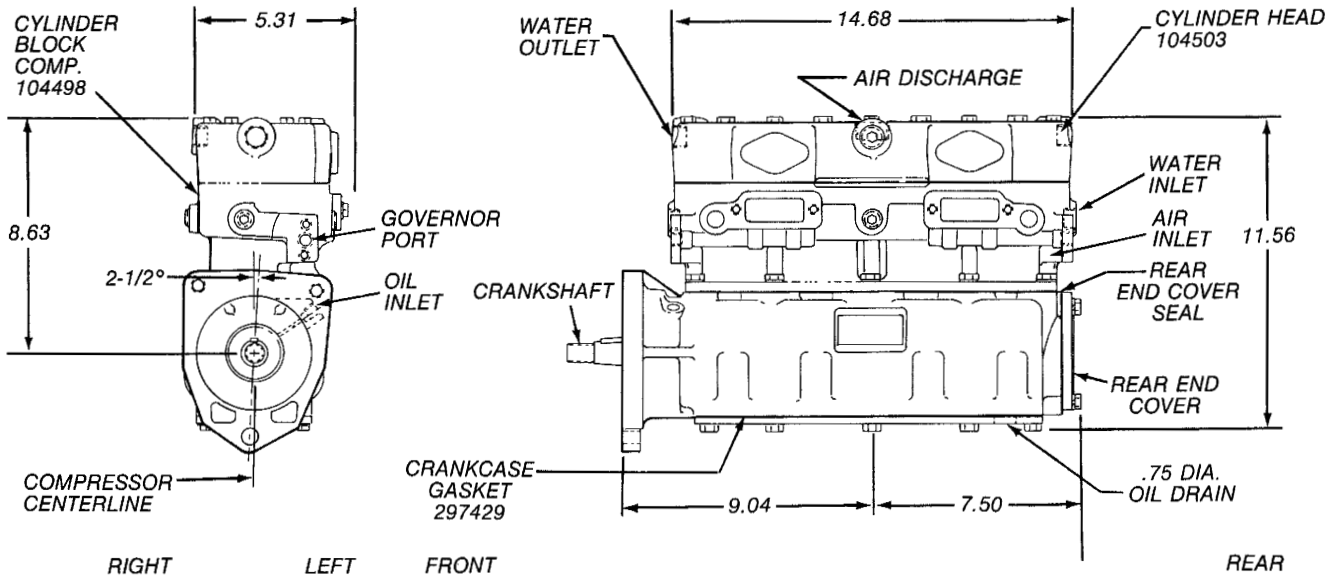
The above ports are typical for all TU-FLO 1400L Compressors except as noted on the application page.

COMMON SERVICE PARTS

TU-FLO 1400L

CATALOG
01-M-4





**ORIGINAL EQUIPMENT
SERVICE NEW
REMANUFACTURED EXCHANGE**

ORIGINAL EQUIPMENT

O.E. PC. NO.	AIR INLET		AIR DISCHARGE		WATER PORTS		REAR END COVER	REAR END COVER SEAL	CRANKSHAFT
	LOCATION	MANIFOLD	LOCATION	FITTING	INLET	OUTLET			
104500	LEFT	—	TOP	—	REAR	FRONT	248848	235425	TAPERED
104585	SAME AS 14500 EXCEPT BENDIX IDENTIFIED								
107552	LEFT	—	TOP	—	FRONT	REAR	248848	235425	22 TOOTH SPLINE
108651	SAME AS 107552 EXCEPT CATERPILLAR IDENTIFIED								

SERVICE NEW

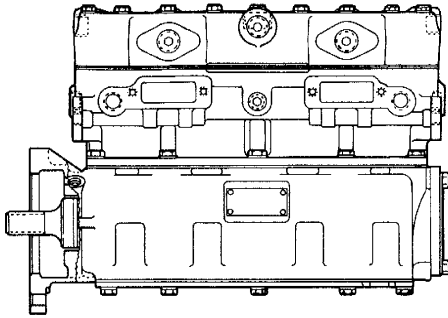
SERVICE NEW PC. NO.	COMMENTS
065083	SERVICE NEW COMPRESSORS ARE SUPPLIED WITHOUT FITTINGS, PIPE PLUGS OR GOVERNORS
065210	

REMANUFACTURED EXCHANGE*

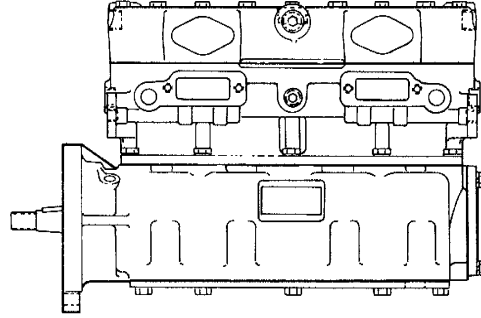
RMFR. EXCH. PC. NO.	SERVICE NEW PC. NO.	O.E. COMPRESSORS	PRIMARY O.E. APPLICATION
104583	065083	104500, 104585	CATERPILLAR 3406B
108222	SAME AS 104583 EXCEPT CATERPILLAR IDENTIFIED		
107553	065210	107552, 108651	CAT. 3176
108733	SAME AS 107553 EXCEPT CATERPILLAR IDENTIFIED		

*EXCHANGE COMPRESSORS ARE NOT EQUIPPED WITH EXTERNAL PARTS OR FITTINGS.

TOP DISCHARGE



107553, 108733



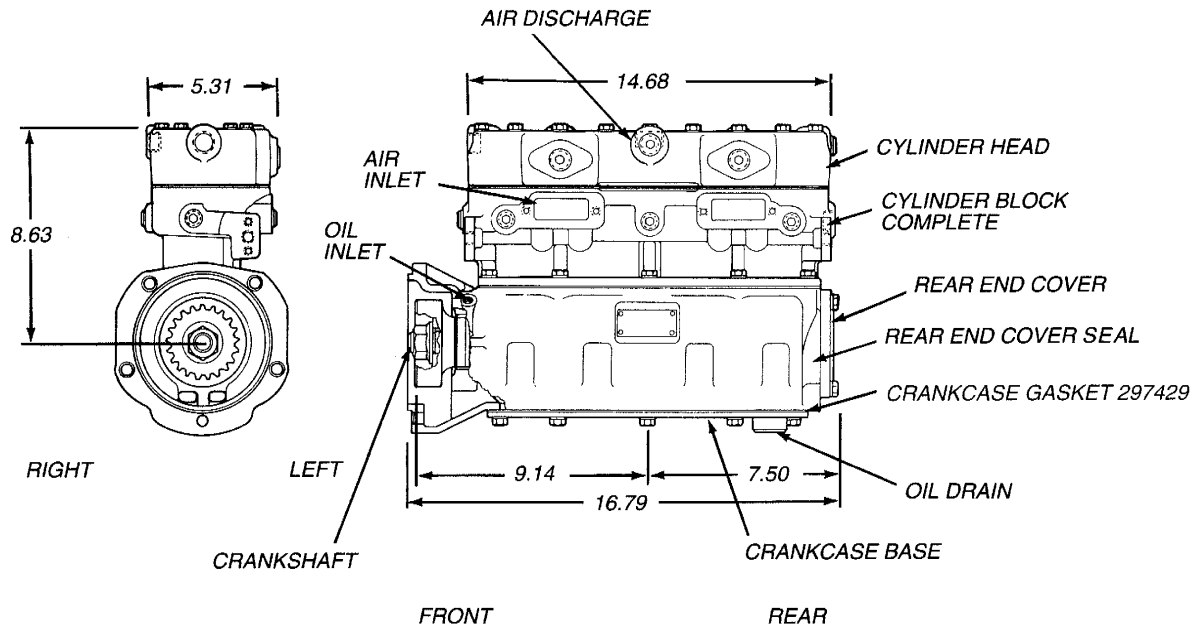
104583, 108222

The following components are required for installation and are supplied by **Caterpillar** only.

DESCRIPTION	QTY.	CATERPILLAR PART NO.
GASKET	1	7W7394
BOLT	2	0S1591
BOLT	3	6V5843
O-RING SEAL	1	5P5846
BOLT	2	0S1590
SUPPORT BRACKET	1	9Y6135

The following components are required for installation and are supplied by **Caterpillar** only.

DESCRIPTION	QTY.	CATERPILLAR PART NO.
GASKET	1	7W7394
BOLT	4	0S1591
BOLT	2	0S1608
BOLT	1	0S1590
BRACKET	1	4W1273



**ORIGINAL EQUIPMENT
SERVICE NEW
REMANUFACTURED EXCHANGE**

ORIGINAL EQUIPMENT

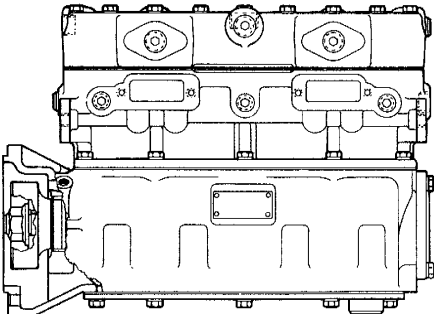
O.E. PC. NO.	AIR INLET		AIR DISCHARGE		WATER PORTS		REAR END COVER	REAR END COVER SEAL
	LOCATION	MANIFOLD	LOCATION	FITTING	INLET	OUTLET		
107823	SAME AS 107837 EXCEPT DETROIT DIESEL IDENTIFIED							
107837	LEFT	297657	TOP	—	REAR	FRONT	248848	235425
108778	RIGHT	297657	TOP	—	FRONT	REAR	248848	235425
108094	RIGHT	297657	TOP	—	FRONT	REAR	248848	235425

SERVICE NEW

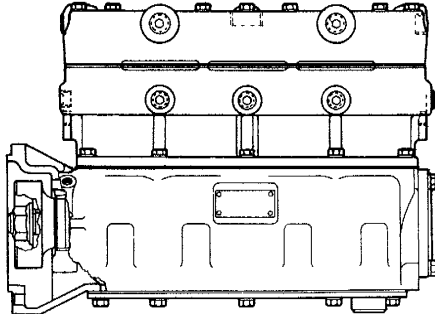
SERVICE NEW PC. NO.	COMMENTS
065261	
065287	SERVICE NEW COMPRESSORS ARE SUPPLIED WITHOUT FITTINGS, PIPE PLUGS OR GOVERNORS
065374	

REMANUFACTURED EXCHANGE*

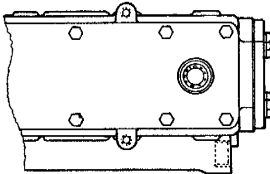
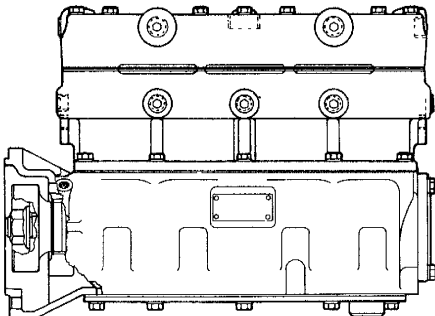
RMFR. EXCH. PC. NO.	SERVICE NEW PC. NO.	O.E. COMPRESSORS	PRIMARY O.E. APPLICATION
107836	065261	107823, 107837	
108096	065287	108094	8V92TA
108779	065374	108778	



065261, 107836

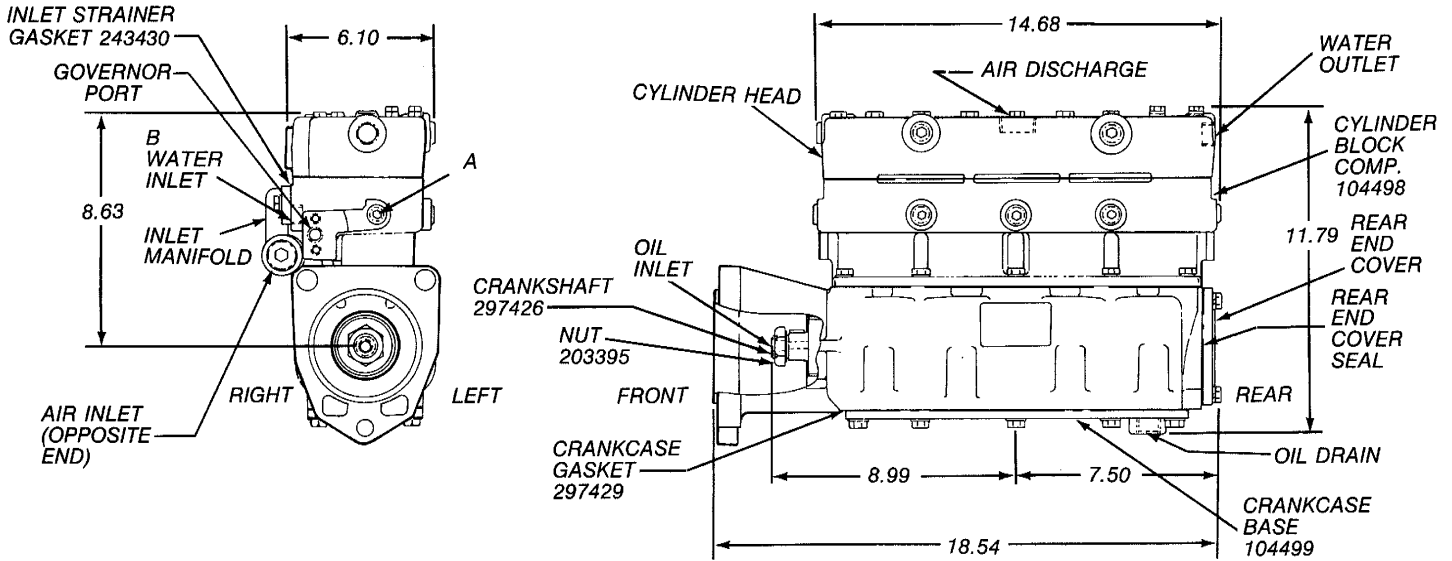


065287, 108096



(BOTTOM VIEW)

065374, 108779



**ORIGINAL EQUIPMENT
SERVICE NEW
REMANUFACTURED EXCHANGE**

ORIGINAL EQUIPMENT

O.E. PC. NO.	AIR INLET		AIR DISCHARGE		WATER PORTS		A	B	REAR END COVER	REAR END COVER SEAL
	LOCATION	MANIFOLD	LOCATION	FITTING	INLET	OUTLET				
104501	RIGHT REAR	297657	TOP	—	REAR	FRONT	90° ELBOW	PIPE PLUG	248848	235425
104586	RIGHT REAR	297657	TOP	—	REAR	FRONT	PIPE PLUG	—	248848	235425
107682	RIGHT REAR	297657	TOP	—	REAR	FRONT	PIPE PLUG	90° ELBOW	248848	235425

SERVICE NEW

SERVICE NEW PC. NO.	COMMENTS
065084	SERVICE NEW COMPRESSORS ARE SUPPLIED WITHOUT FITTINGS, PIPE PLUGS OR GOVERNORS

REMANUFACTURED EXCHANGE*

RMFR. EXCH. PC. NO.	SERVICE NEW PC. NO.	O.E. COMPRESSORS	PRIMARY O.E. APPLICATION
104584	065084	104501, 104586, 107682	MACK IN-LINE 6

*EXCHANGE COMPRESSORS ARE NOT EQUIPPED WITH EXTERNAL PARTS OR FITTINGS.

**REMANUFACTURED
EXCHANGE
PC. NO. 104584**

**MOUNTING
BRACKET
PC. NO. 298098
IS NECESSARY FOR
INSTALLATION**



PC. NO. 298098

