



Bendix Parts Catalog

CATALOG 01-L-1

Single Cylinder Air Compressors

BX-2150

BX-2150 NUMERICAL INDEX

BX-2150 PC. NO.	REMANUFACTURED EXCHANGE NO.	SERVICE NEW PC. NO.	PAGE NO.
065021	103211	065021	01-L-12
065038	103212	065038	01-L-11
065049	104041	065049	01-L-7
065050	104042	065050	01-L-15
065054	104102	065054	01-L-14
065055	104103	065055	01-L-13
065124	106439	065124	01-L-8
065149	106978	065149	01-L-8
065150	106985	065150	01-L-12
065155	107221	065155	01-L-6
065207	107526	065207	01-L-10
065265	107919	065265	01-L-15
065300	108261	065300	01-L-13
065375	108790	065375	01-L-14
102405	103211	065201	01-L-12
102407	103212	065038	01-L-11
102795	104041	102396	01-L-6
103116	103212	065038	01-L-11
103117	103211	065021	01-L-12
103211*	103211	065021	01-L-12
103212*	102212	065038	01-L-11
103248	104039	065046	01-L-8
103349	104039	065149	01-L-8
103350	104039	065149	01-L-8
103351	104039	065124	01-L-8
103718	104041	065049	01-L-6
103773	104042	065050	01-L-15
103819	104042	065050	01-L-15
103842	106439	065149	01-L-8
103843	106439	065149	01-L-8
104001	104102	065054	01-L-14
104002	104103	065055	01-L-13
104021	104041	102396	01-L-6
104038*	104039	065124	01-L-8
104039*	104039	065149	01-L-9
104040	104039	065149	01-L-8
104041*	104041	065049	01-L-7
104042*	104042	065050	01-L-15
104059	104041	065049	01-L-6
104102*	104102	065054	01-L-14
104103*	104103	065055	01-L-13
104108	106439	065149	01-L-8
104155	104041	065049	01-L-6
104236	104041	065049	01-L-6
104425	104041	065049	01-L-6
104430	104041	065049	01-L-6
104431	104041	065049	01-L-6
104744	104041	065049	01-L-6
104745	104041	065049	01-L-6
104747	106978	065149	01-L-8
104841	103211	065021	01-L-12
104842	103211	065021	01-L-12
104843	103212	065038	01-L-11
104844	103212	065038	01-L-11
106439*	106439	065124	01-L-8
106880	107526	065207	01-L-10
106879	107526	065207	01-L-10
106978*	106978	065149	01-L-8
106983	106985	065150	01-L-12
106984	106985	065150	01-L-12
106985*	106985	065150	01-L-12
107198	107221	065155	01-L-6
107199	107221	065155	01-L-6
107221*	107221	065155	01-L-6
107526*	107526	065207	01-L-10
107550	107526	065207	01-L-10
107738	107526	065207	01-L-10
107865	107919	065265	01-L-15
107913	107526	065207	01-L-10
107918	107919	065265	01-L-15
107919*	107919	065265	01-L-15
107946	107526	065207	01-L-10
108247	108261	065300	01-L-13
108248	108260	065299	01-L-14
108260*	108260	065299	01-L-14
108261*	108261	065300	01-L-13
108334	106439	065124	01-L-8
108335	106439	065124	01-L-8
108447	106439	065124	01-L-8
108448	106439	065124	01-L-8
108649	106439	065124	01-L-8
108734	108854	065382	01-L-14
108735	108854	065382	01-L-14
108788	108790	065375	01-L-14
108789	108790	065375	01-L-14
108790*	108790	065299	01-L-14
108854*	108854	065382	01-L-14

* Remanufactured exchange piece number

BX-2150 COMPRESSORS

The BX-2150 Air Compressor is an engine driven, single cylinder, reciprocating compressor with a displacement of 9-1/2 cu. ft. per min at 1250 RPM.

It is available in an engine lubricated configuration and employs a water cooled cylinder head and air cooled integral block and crankcase. It is available in belt drive, direct drive single flange and direct drive double flange mount configurations.

Operating Limitations:

Maximum crankshaft speed - 3000 RPM

Maximum discharge temperature - 400°F

For installation and maintenance information see service data SD-01-6.

EXCHANGE AND CHANGEVER INFORMATION

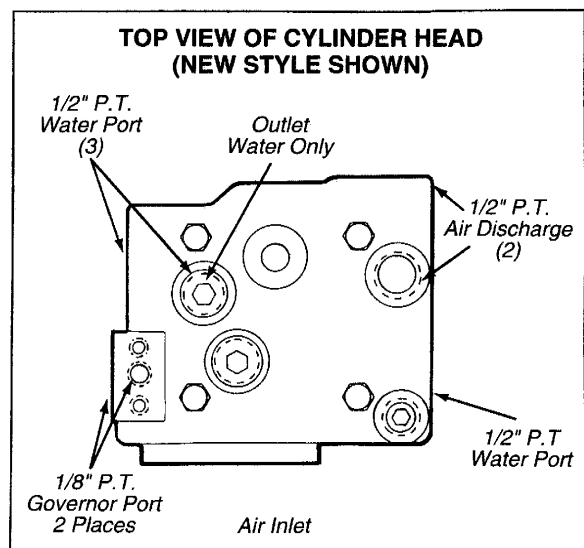
The BX-2150 Air Compressors are available with either an original equipment piece number, service new piece number or a remanufactured/exchange number. Common detail parts and dimensional information are illustrated in the compressor line drawings preceding each catalog page. Conversion and changeover information is featured prominently in the same position of each page for ease of use.

UNIVERSAL REMANUFACTURED EXCHANGE PART NUMBERS

A universal remanufactured exchange piece number is featured on each page and is capable of replacing all other compressor assemblies appearing on that page. The universal remanufactured piece number is possible since customer repositioning of the BX-2150 head is permitted. All Remanufactured BX-2150 Compressors will be supplied with extra head gasket and head repositioning instructions.

HEAD REPOSITIONING FOR REMANUFACTURED EXCHANGE COMPRESSORS ONLY

The BX-2150 Cylinder Head Assembly may be rotated 360° in 90° increments to accommodate installation requirements. The head incorporates (3) 1/2" P.T. water ports located top & side, (2) 1/2" P.T. air discharge ports located top & side, mounting pads and (1) air inlet mounting pad. Repositioning of the head allows a variety of inlet & discharge positions which will accommodate various engine/vehicle applications. (See illustration below)



NOTE: Over and under size detail parts for Exchange Compressors (i.e. Crankcases, Crankshafts etc.) are not available as service parts. Exchange Compressors are not equipped with external parts or fittings.

INLET CHECK VALVE & ADAPTER KITS

**BX-2150
COMPRESSOR**

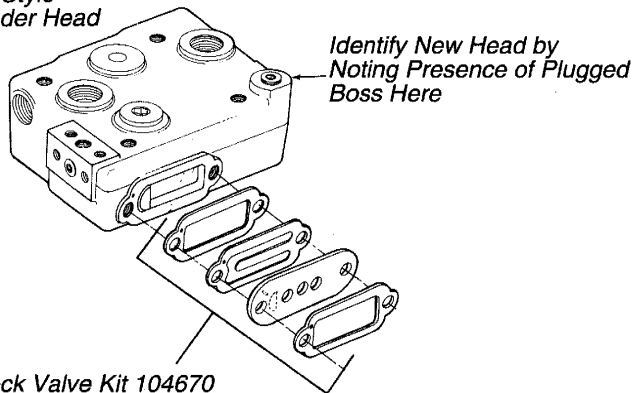
**CATALOG
01-L-3**

The inlet check valve is used on some naturally aspirated BX-2150 Compressors to prevent oil misting during the unloaded cycle. **Do not** use the inlet check valve if the compressor inlet is connected to the pressure side of the supercharger or turbocharger.

Inlet Check Valve Kit 104670 Consists of:

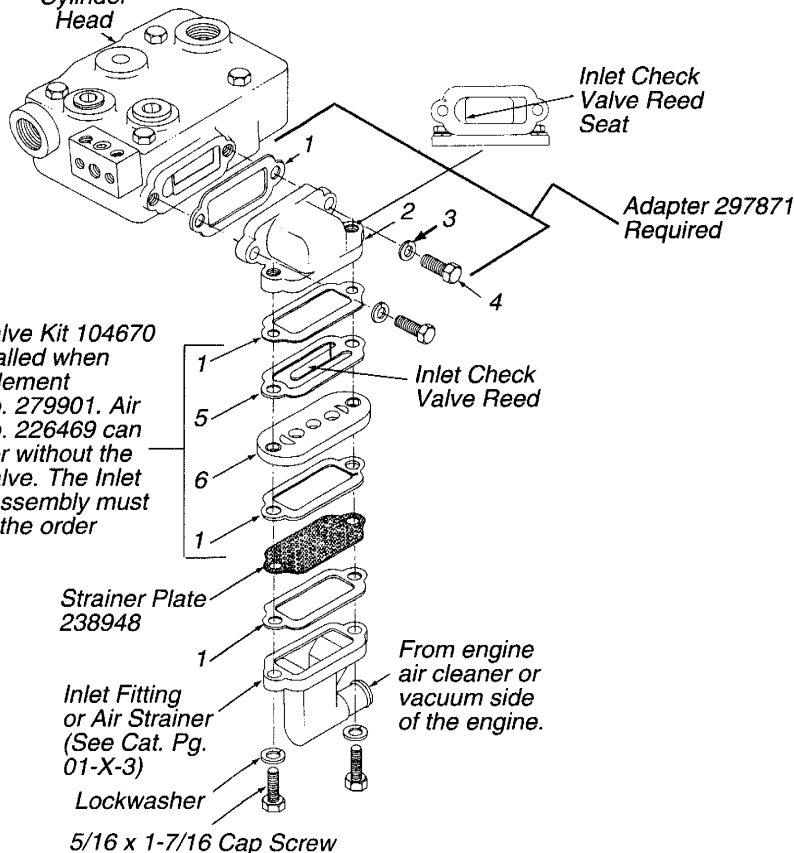
KEY NO.	QTY	DESCRIPTION
1	2	Strainer Gasket
5	1	Inlet Check Valve
6	1	Inlet Check Valve Seat Complete

*New Style
Cylinder Head*

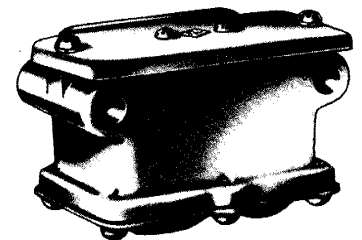


**Inlet Check Valve Kit 104670
(Adapter Not Required)**

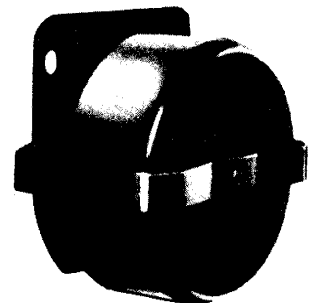
*Old Style
Cylinder Head*



Inlet Check Valve Kit 104670 should be installed when using Paper Element Strainer pc. no. 279901. Air Strainer pc. no. 226469 can be used with or without the Inlet Check Valve. The Inlet Check Valve assembly must be installed in the order shown.

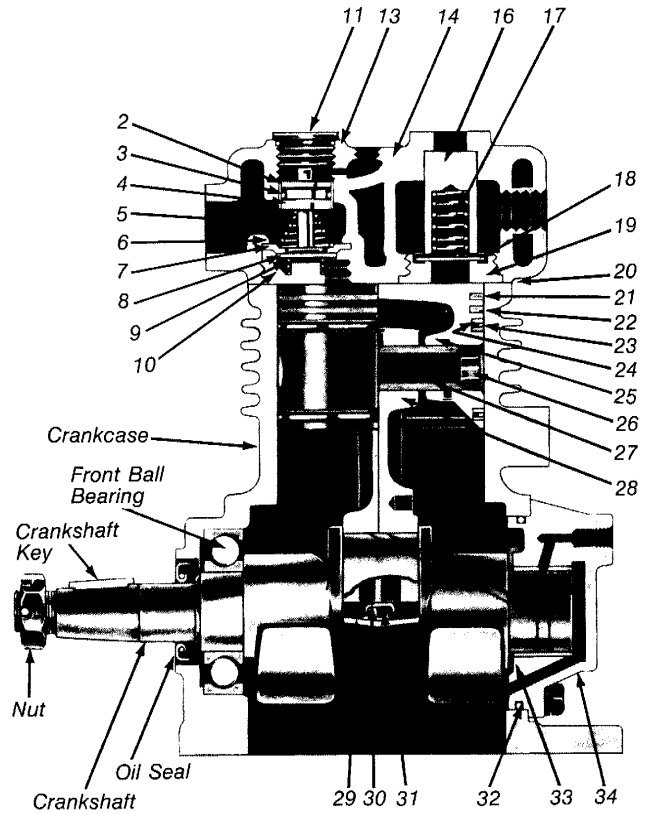
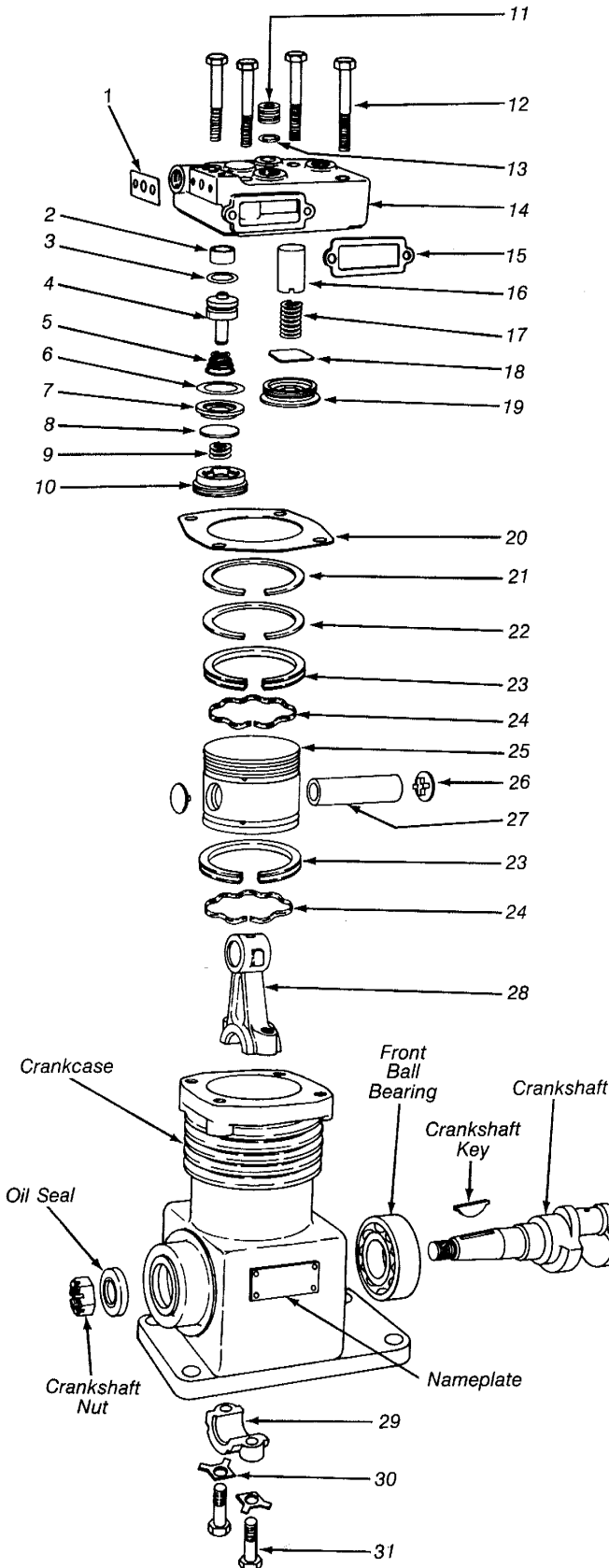


**Air Strainer
Pc. No. 226469**



**Air Strainer
Pc. No. 279901**

Refer to individual catalog pages for detail and sub assembly piece numbers not shown on this page. (ie: Crankshafts, Crankcases and Bearings)



NOTE:
Some applications use front and rear sleeve bearings. Rear ball bearings are noted on individual catalog pages.

NOTE: After installing Pulley, Coupling, Gear etc., Torque on Crankshaft Nut must not exceed 120 ft. lbs. minimum Torque to be established by customer.

MAINTENANCE KITS & SERVICE PARTS

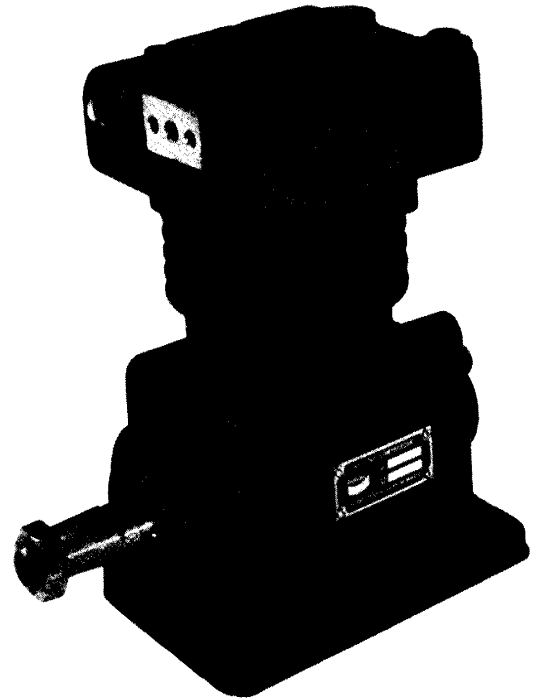
Unloader Kit 108847 Consists Of:

KEY NO.	QTY.	DESCRIPTION
3	1	O-Ring
4	1	Unloader Piston
11	1	Unloader Piston Stop
13	1	O-Ring

(See Unloader Piston Below)

Compressor Maintenance Kit 108848 Consists Of:

KEY NO.	QTY.	DESCRIPTION
	1	Unloader Kit 108847
1	1	Governor Gasket
5	1	Unloader Spring
6	1	Unloader Gasket
7	1	Inlet Valve Seat
8	1	Inlet Valve
9	1	Inlet Valve Spring
10	1	Inlet Valve Stop
15	1	Inlet Strainer Gasket
17	1	Discharge Valve Spring
18	1	Discharge Valve
19	1	Discharge Valve Seat
20	1	Cylinder Head Gasket



Common Service Parts

KEY NO.	QTY.	DESCRIPTION	PIECE NUMBER
2	1	Unloader Bushing	296618
12	4	Hex Head Screws	237936
14	1	Cylinder Head Asm.	103706
20	1	Cylinder Head Gasket	294562
—	1	Piston Ring Set Std	A
21	1	#1 Piston Ring	—
22	1	#2 Piston Ring	—
23	2	Piston Ring Oil	—
24	2	Expander Ring	—
—	1	Piston and Pin Assembly	B
25	1	Piston	—
26	2	Wrist Pin Plug	—
27	1	Wrist Pin	—
—	1	Connecting Rod Compl.	102398
28	1	Connecting Rod	—
29	1	Connecting Rod Cap	—
30	1	Lockwasher	—
31	1	Connecting Rod Bolt	—
32	1	O-Ring	294543
33	1	Thrust Washer	246439
34	1	End Cover Assembly	C



If the compressor to be serviced has an unloader piston diameter of $\frac{1}{4}$ ", unloader kit Pc. No. 108847 can not be used. The compressor must be serviced with compressor maintenance kit 108848.

A.- Available Only In Sets Listed Below:

- 104045 - Piston Ring Set (Std.)
- 104046 - Piston Ring Set (.010 Oversize)
- 104047 - Piston Ring Set (.020 Oversize)
- 104048 - Piston Ring Set (.030 Oversize)

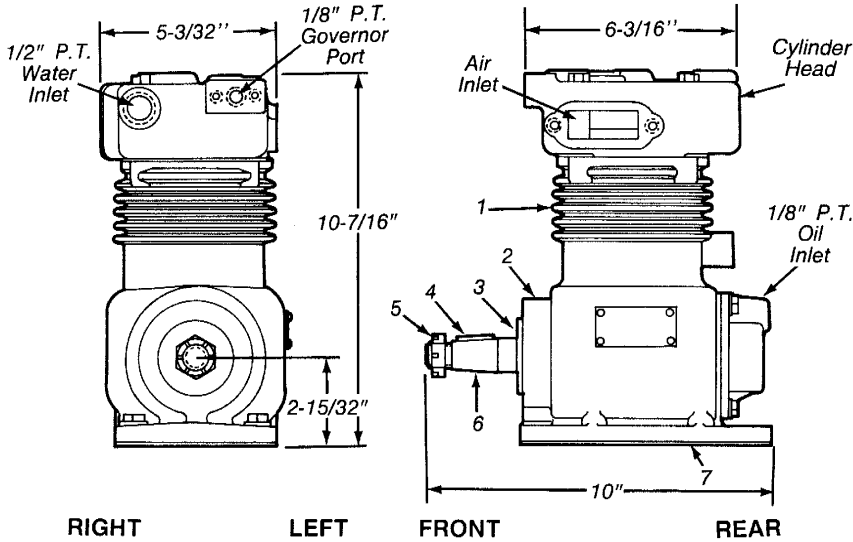
B.- Available Only In Sets Listed Below:

- 104049 - Piston & Pin Assembly (Std.)
- 104050 - Piston & Pin Assembly (.010 Oversize)
- 104051 - Piston & Pin Assembly (.020 Oversize)
- 104052 - Piston & Pin Assembly (.030 Oversize)

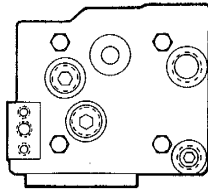
C.- Available As Bearing And End Cover Assembly

- 103250 1.381 I.D. Standard
- 103342 1.371 I.D. Repair
- 103343 1.361 I.D. Repair
- 103344 1.351 I.D. Repair

Replaces all compressors on this page.
Head may be rotated to fit O.E. applications.



New Style Cylinder Head



PARTS LIST / GENERAL INFORMATION

KEY NO.	QTY.	DESCRIPTION	PC. NO.
1	1	Crankcase Std.	296718
2	1	Front Ball Bearing	236120
3	1	Front Oil Seal	243053
4	1	Crankshaft Key	211347
5	1	Crankshaft Nut	245212
6	1	Crankshaft	296296
7	1	Mounting Gasket	292518

**Head Positions
(Old Style Cylinder
Head Shown)**

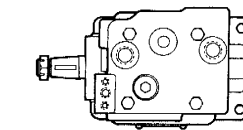


Fig. 1

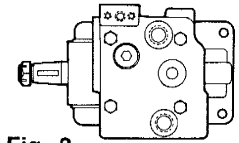


Fig. 2

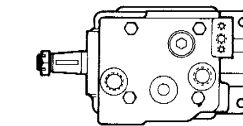


Fig. 3

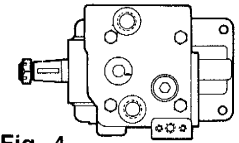


Fig. 4

ORIGINAL EQUIPMENT

ORIGINAL EQUIPMENT

O.E. COMPRESSOR PC. NO.	REMFR. EXCH. PC. NO.	CUSTOMER IDENTIFICATION	HEAD POSITION	GOVERNOR	AIR DISCHARGE LOCATION	INLET FITTING	COMMENTS
102795	104041	J.I. Case L-111007	—	103069	Front & Top	—	See Note 2
103718	104041	Grove 7332000023	Fig. 1	—	Top	—	—
104021	104041	—	—	104022	Front & Top	—	See Note 2
104059	104041	Elgin 1029243	Fig. 1	276336	Top	246691	—
104155	104041	Oshkosh 1435760	Fig. 1	—	Rear	—	—
104236	104041	Ford ED-E5HT-2875-FA	Fig. 1	103772	Top	246691	See Note 1
104425	104041	—	Fig. 1	276380	Top	246691	See Note 1
104430	104041	Ford E7HT-2875-BA	Fig. 1	103771	Rear	237670	See Note 1
104431	104041	—	Fig. 1	277192	Rear	237670	See Note 1
104744	104041	Ford E6HT-2875-FA	Fig. 1	104956	Top	237670	See Note 1
104745	104041	—	Fig. 1	104936	Top	237670	See Note 1
107198	107221	Ford E8HT-2875-FA	Fig. 1	103769	Rear	241340	See Note 3
107199	107221	—	Fig. 1	276108	Rear	241340	See Note 3

1. Uses Inlet Check Valve Kit 104670 & Adapter Kit 106225. For further information see catalog page 01-L-3.

2. Used early head design which is not available as a service replacement. Head Assembly 103706 must be used. Minor piping modification required with changeover.

3. Uses new style cylinder head.

SERVICE NEW REMANUFACTURED EXCHANGE

**VERTICAL 4 HOLE
BASE MOUNT**

**CATALOG
01-L-7**

SERVICE NEW EQUIPMENT

SERVICE NEW COMPRESSOR	HEAD POSITION	COMMENTS	CYLINDER HEAD STYLE
065049	Figure 1	Service new compressors are supplied w/o discharge & inlet fittings, plugs and governors	Old
	—	For 102795 & 104021 only Remanufactured Exchange with 104041	
065155	Figure 1		New

REMANUFACTURED EXCHANGE

REMF. EXCH. PC. NO.	SERVICE NEW COMPRESSOR	O.E. COMPRESSOR	CYLINDER HEAD STYLE
104041*	065049	102795, 103718, 104021, 104059, 104155, 104225, 104236, 104430, 104431, 104744, 104745	Old
107221	065155	107198, 107199	New

*Assembled in Head Position Figure 1 supplied with extra Head Gasket 294562.

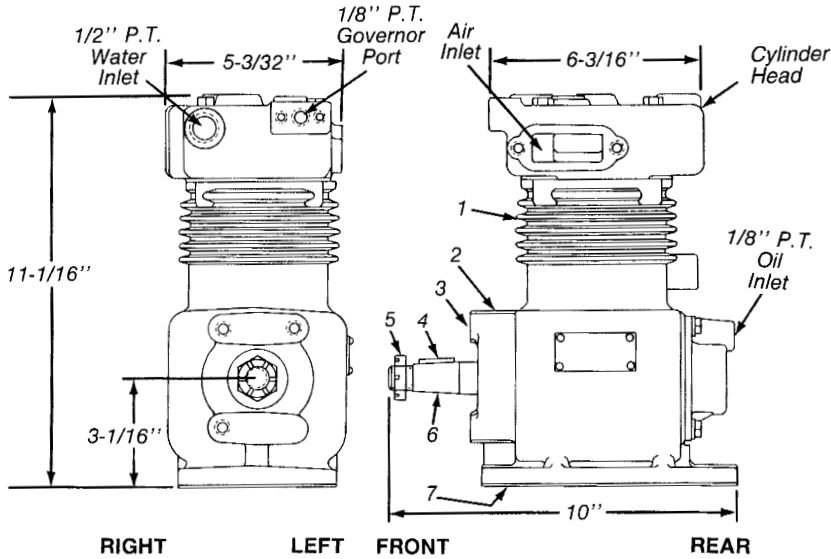
RX. AND CHANGEOVER

REMANUFACTURED EXCHANGE AND CHANGEOVER SELECTIONS BY MODEL

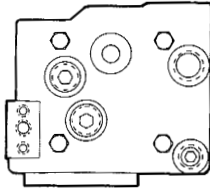
REMF. EXCH. PC. NO.	CHANGEOVER TO/FROM					COMPRESSOR APPLICATION	
	TU-FLO 400	TU-FLO 500	TU-FLO 501	TU-FLO 600	TU-FLO 700	ENGINE	TRUCK MODEL
104041						Various	Various
107221						Various	Various

Discharge fitting modifications are required for changeover. **BX2150** heads are supplied with 1/2" P.T. discharge ports on top and side.

Replaces all compressors on this page.
Head may be rotated to fit O.E. applications.



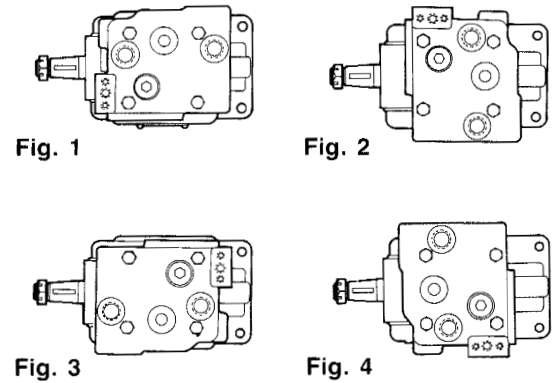
New Style Cylinder Head



PARTS LIST / GENERAL INFORMATION

KEY NO.	QTY	DESCRIPTION	PC. NO.
1	1	Crankcase Std.	296291
2	1	Front Ball Bearing	236120
3	1	Front Oil Seal	243053
4	1	Crankshaft Key	211347
5	1	Crankshaft Nut	245212
6	1	Crankshaft	296296
7	1	Mounting Gasket	292518

**Head Positions
(Old Style Cylinder Head Shown)**



ORIGINAL EQUIPMENT

ORIGINAL EQUIPMENT

O.E. COMPRESSOR PC. NO.	RMFR. EXCHANGE PC. NO.	CUSTOMER IDENTIFICATION	HEAD POSITION	GOVERNOR	CYLINDER HEAD STYLE	AIR DISCHARGE LOCATION	INLET FITTING
103248	104039	Clark 2389542	Fig. 3	—	Old	Top	—
103349	104039	DDAD	Fig. 1	—	Old	Top	—
103350	104039	DDAD	Fig. 1	—	Old	Top	—
103351	104039	DDAD	Fig. 3	—	New	Top	—
103842	106439	Navistar 1675722C91	Fig. 1	—	New	Top	—
103843	106439	Clark 2389543	Fig. 1	—	New	Top	—
104108	106439	Hyster 350960	Fig. 1	276226	Old	Rear	246691
108334	106439	Nav 1680209C91	Fig. 1	—	New	Top	241340
108335	106439	—	Fig. 1	—	New	Top	241340
108447	106439	Nav 1686541C91	Fig. 1	—	New	Top	—
108448	106439	—	Fig. 1	—	New	Top	—
108649	106439	—	Fig. 1	108821	New	Top	—
*104747	106978	—	Fig. 1	107787	New	Top	—

*Front cover contains studs

SERVICE NEW REMANUFACTURED EXCHANGE

**VERTICAL 4 HOLE
BASE MOUNT**

**CATALOG
01-L-9**

SERVICE NEW EQUIPMENT

SERVICE NEW COMPRESSOR	HEAD POSITION	COMMENTS	CYLINDER HEAD STYLE
065124	Figure 1	Service new compressors are supplied w/o discharge & inlet fittings, plugs and governors	New
065149	Figure 1		

REMANUFACTURED EXCHANGE

REMFR. EXCH. PC. NO.	SERVICE NEW COMPRESSOR	O.E. COMPRESSOR	CYLINDER HEAD STYLE
104039*	065149	103349, 103350	Old
106439	065124	103248, 103351, 103842, 103843, 104108, 108334, 108335, 108447, 108448, 108649	New
106978	065149	104747	

*Assembled in Head Position Figure 1 supplied with extra Head Gasket 294562.

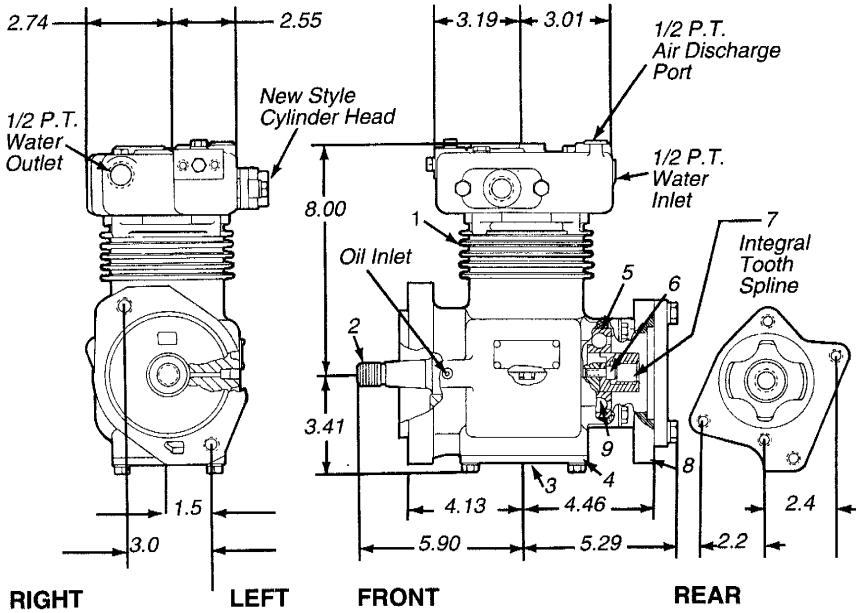
RX. AND CHANGEOVER

REMANUFACTURED EXCHANGE AND CHANGEOVER SELECTIONS BY MODEL

REMFR. EXCH. PC. NO.	CHANGEOVER TO/FROM					COMPRESSOR APPLICATION	
	TU-FLO 400	TU-FLO 500	TU-FLO 501	TU-FLO 600	TU-FLO 700	ENGINE	TRUCK MODEL
104039	227404	227320	286526	280613	289350	Various	Various
	227403	227322	286527	280603	101256		
		228140	286528	280540	280551		
	227321	286582	286529				
106439						Various	Various
106978							

Discharge fitting modifications are required for changeover. **BX2150** heads are supplied with 1/2" P.T. discharge ports on top and side.

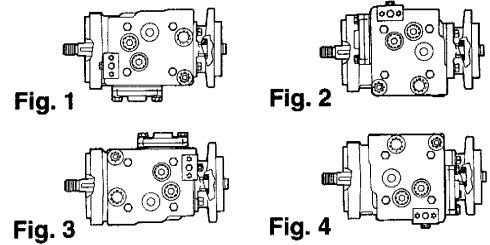
Replaces all compressors on this page.
Head may be rotated to fit O.E. applications.



PARTS LIST / GENERAL INFORMATION

KEY NO.	QTY.	DESCRIPTION	PC. NO.
1	1	Crankcase Standard	298998
2	1	Crankshaft	298995
3	1	Crankcase Cover	298994
4	1	Crankcase Cover Gasket	297547
5	1	O-Ring	296725
6	1	Cap Screw	296840
7	1	Crankshaft Connector	296837
8	1	Rear Adapter	298999
9	1	Rear Ball Bearing	241849

**Head Positions
(New Style Cylinder Head Shown)**



**ORIGINAL EQUIPMENT
SERVICE NEW
REMANUFACTURED EXCHANGE**

ORIGINAL EQUIPMENT

O.E. COMPRESSOR PC. NO.	RMFR. EXCHANGE PC. NO.	CUSTOMER IDENTIFICATION	HEAD POSITION	GOVERNOR	AIR DISCHARGE LOCATION	INLET FITTING	COMMENTS
106879	107526	Cat. 9Y-8061	Fig. 1	107129	Top	104859	Includes Strainer 279901
106880		Cat. 7E-2303	Fig. 1	—	Top	241340	—
107550		—	Fig. 1	—	Top	241340	—
107738		Cat. 7E-3879	Fig. 1	—	Top	110429	—
107913		—	Fig. 1	107129	Top	104859	Includes Strainer 279901
107946		—	Fig. 1	—	Top	110429	—

SERVICE NEW EQUIPMENT

SERVICE NEW COMPRESSOR	HEAD POSITION	COMMENTS
065207	Figure 1	Service new compressors are supplied w/o discharge & inlet fittings, plugs and governors

REMANUFACTURED EXCHANGE

RMFR. EXCH. PC. NO.	SERVICE NEW COMPRESSOR	O.E. COMPRESSOR
107526	065207	106879, 106880, 107550, 107738, 107913, 107946

**PIECE NO. 107526
RX. AND CHANGEOVER**

REMANUFACTURED EXCHANGE AND CHANGEOVER SELECTIONS BY MODEL

RMFR. EXCH. PC. NO.	CHANGEOVER TO/FROM					COMPRESSOR APPLICATION	
	TU-FLO 400	TU-FLO 500	TU-FLO 501	TU-FLO 550	TU-FLO 700	ENGINE	TRUCK MODEL
107526			107296	107981	—	Cat 3116	Various

Discharge fitting modifications are required for changeover. **BX2150** heads are supplied with 1/2" P.T. discharge ports on top and side.

RX. PIECE NO. 103212

Replaces all compressors on this page.
Head may be rotated to fit O.E. applications.

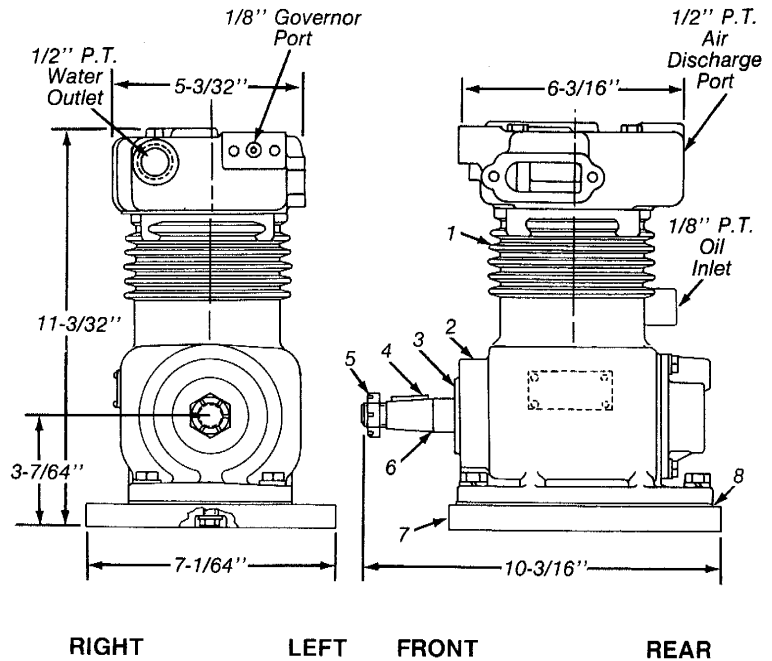
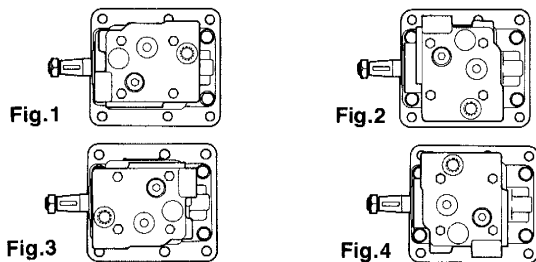
VERTICAL 6 HOLE BASE MOUNT

CATALOG 01-L-11

PARTS LIST / GENERAL INFORMATION

KEY NO.	QTY	DESCRIPTION	PC. NO.
1	1	Crankcase Standard	296095
2	1	Front Ball Bearing	236120
3	1	Front Oil Seal	243053
4	1	Crankshaft Key	211347
5	1	Crankshaft Nut	245212
6	1	Crankshaft	296296
7	1	Crankcase Base Adapter	292440
8	1	Crankcase Base Gasket	292518

Head Positions



ORIGINAL EQUIPMENT SERVICE NEW REMANUFACTURED EXCHANGE

ORIGINAL EQUIPMENT

O.E. COMPRESSOR PC. NO.	RMFR. EXCHANGE PC. NO.	CUSTOMER IDENTIFICATION	HEAD POSITION	GOVERNOR	AIR DISCHARGE LOCATION	INLET FITTING	COMMENTS
102407	103212	Ford	Fig. 1	277192	Rear	241340	—
103116	103212	Ford	Fig. 1	103771	Rear	241340	—
104843	103212	Ford	Fig. 1	277192	Rear	237670	See Note 1
104844	103212	Ford	Fig. 1	103771	Rear	237670	See Note 1

1. Uses Inlet Check Valve Kit 104670 & Adaptor Kit 106225. For further information see catalog page 01-L-3.

SERVICE NEW EQUIPMENT

SERVICE NEW COMPRESSOR	HEAD POSITION	COMMENTS
065038	Figure 1	Service new compressors are supplied w/o discharge & inlet fittings, plugs and governors

REMANUFACTURED EXCHANGE

REMFR. EXCH. PC. NO.	SERVICE NEW COMPRESSOR	O.E. COMPRESSOR
103212*	065038	102407, 103116, 104843, 104844

*Assembled in Head Position Figure 1 supplied with extra Head Gasket 294562.

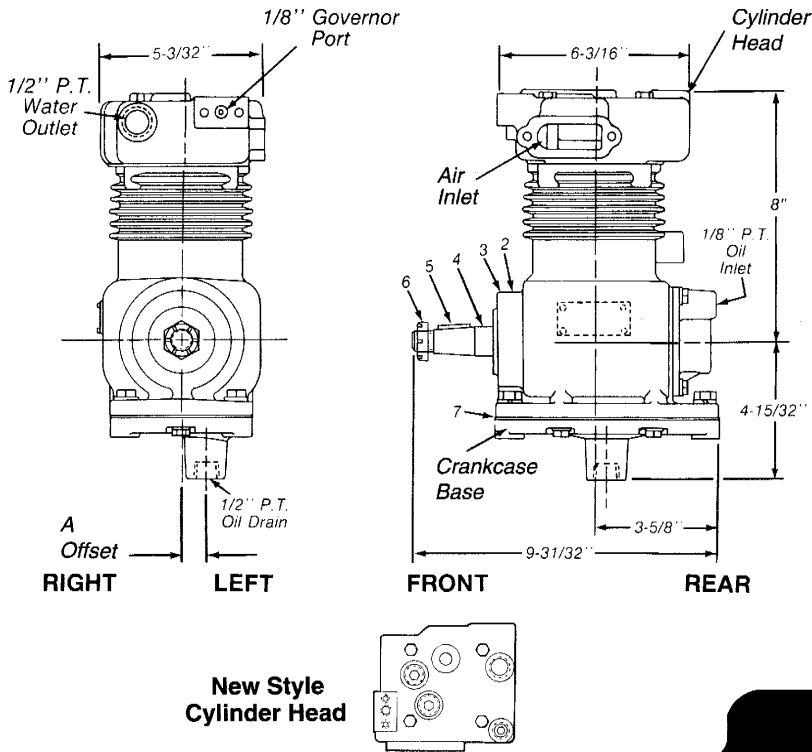
PIECE NO. 103212 RX. AND CHANGEOVER

REMANUFACTURED EXCHANGE AND CHANGEOVER SELECTIONS BY MODEL

REMFR. EXCH. PC. NO.	CHANGEOVER TO/FROM					COMPRESSOR APPLICATION	
	TU-FLO 400	TU-FLO 500	TU-FLO 501	TU-FLO 600	TU-FLO 700	ENGINE	TRUCK MODEL
103212	101142 103074	-	286585 102989	-	102598	3208 CAT	Ford LT, LTS8000 LN9000

Discharge fitting modifications are required for changeover. **BX2150** heads are supplied with 1/2" P.T. discharge ports on top and side.

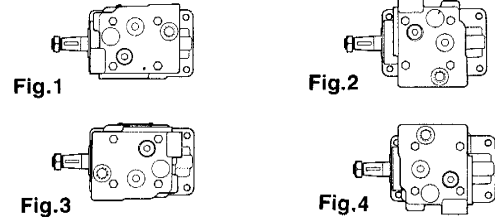
Replaces all compressors on this page.
Head may be rotated to fit O.E. applications.



PARTS LIST / GENERAL INFORMATION

KEY NO.	QTY.	DESCRIPTION	PC. NO.
1	1	Crankcase Standard	286095
2	1	Front Ball Bearing	236120
3	1	Oil Seal	243053
4	1	Crankshaft	296296
5	1	Crankshaft Key	211347
6	1	Crankshaft Nut	245212
7	1	Crankcase Base Gasket	292518

Head Positions
(Old Style Cylinder Head Shown)



ORIGINAL EQUIPMENT
SERVICE NEW
REMANUFACTURED EXCHANGE

ORIGINAL EQUIPMENT

O.E. COMPRESSOR PC. NO.	RMFR. EXCHANGE PC. NO.	CUSTOMER IDENTIFICATION	HEAD POSITION	CYLINDER HEAD STYLE	GOVERNOR	CRANKCASE BASE	AIR DISCHARGE LOCATION	INLET FITTING	A IN. OFFSET	COMMENTS
102405	103211	—	Fig. 1	Old	277192	297587	REAR	241340	.80	—
103117	103211	Ford E6HT-2875-DB	Fig. 1	Old	103771	297587	REAR	241340	.80	—
104841	103211	—	Fig. 1	Old	277192	297587	REAR	237670	.80	See Note 1
104842	103211	Ford E8HT-2875-BA	Fig. 1	Old	103771	297587	REAR	237670	.80	See Note 1
106983	106985	Ford F1HT-2875-CA	Fig. 3	New	—	110932	RIGHT	241340	0	—
107984	106985	—	Fig. 3	New	—	110932	RIGHT	241340	0	—

1. Uses Inlet Check Valve Kit 104670 & Adapter Kit 106225. For further information see catalog page 01-L-3.

SERVICE NEW EQUIPMENT

SERVICE NEW COMPRESSOR	HEAD POSITION	O.E. COMPRESSOR	CYLINDER HEAD STYLE
065021	Figure 1	Service new compressors are supplied w/o discharge & inlet fitting plugs and governors.	Old
065150	Figure 3		New

REMANUFACTURED EXCHANGE

REMFR. EXCH. PC. NO.	SERVICE NEW COMPRESSOR	O.E. COMPRESSOR	CYLINDER HEAD STYLE
103211*	065021	102405, 103117, 104841, 104842	Old
106985	065150	106983, 106984	New

*Assembled in Head Position Figure 1 supplied with extra head gasket 294562.

RX. AND CHANGEOVER

REMANUFACTURED EXCHANGE AND CHANGEOVER SELECTIONS BY MODEL

REMFR. EXCH. PC. NO.	CHANGEOVER TO/FROM					COMPRESSOR APPLICATION	
	TU-FLO 400	TU-FLO 500	TU-FLO 501	TU-FLO 600	TU-FLO 700	ENGINE	TRUCK MODEL
103211	289688*	—	106278	—	—	Lima & 8.2L	Ford
106985						Lima & 8.2L	

Discharge fitting modifications are required for changeover. **BX2150** heads are supplied with 1/2" P.T. discharge ports on top and side.

*Inlet & discharge located on the right side of the compressor.

RX. PIECE NOS. 104103 & 108261

Replaces all compressors on this page.
Head may be rotated to fit O.E. applications.

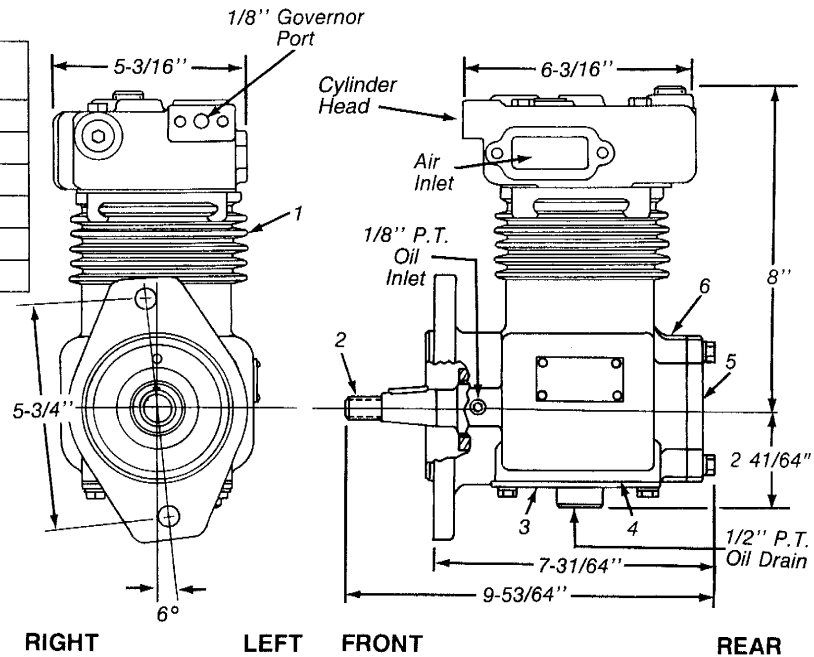
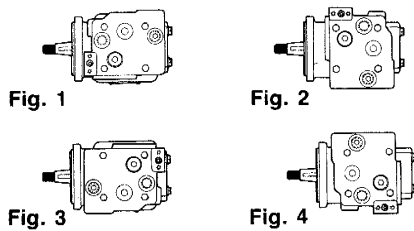
**CUMMINS
FLANGE MOUNT**

**CATALOG
01-L-13**

PARTS LIST / GENERAL INFORMATION

KEY NO.	QTY.	DESCRIPTION	PC. NO.
1	1	Crankcase Standard	296661
2	1	Crankshaft	296722
3	1	Crankcase Cover	104058
4	1	Crankcase Cover Gasket	297547
5	1	Rear End Cover	296724
6	1	Rear Ball Bearing	241849

Head Positions (Old Style Cylinder Head Shown)

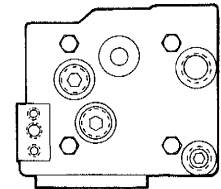


ORIGINAL EQUIPMENT SERVICE NEW REMANUFACTURED EXCHANGE

ORIGINAL EQUIPMENT

O.E. COMPRESSOR PC. NO.	RMFR. EXCHANGE PC. NO.	CUSTOMER IDENTIFICATION	HEAD POSITION	AIR DISCHARGE LOCATION	CYLINDER HEAD STYLE
104002	104103	Cummins 3905724	Fig. 1	REAR	Old
108247	108261		Fig. 1		New

New Style Cylinder Head



SERVICE NEW EQUIPMENT

SERVICE NEW COMPRESSOR	HEAD POSITION	COMMENTS	CYLINDER HEAD STYLE
065055	Figure 1	Service new compressors are supplied w/o discharge & inlet fittings, plugs and governors	Old
065300			New

REMANUFACTURED EXCHANGE

REMFR. EXCH. PC. NO.	SERVICE NEW COMPRESSOR	O.E. COMPRESSOR	CYLINDER HEAD STYLE
104103*	065055	104002	Old
108261	065300		New

*Assembled in Head Position Figure 1 supplied with extra Head Gasket 294562.

RX. AND CHANGEOVER

REMANUFACTURED EXCHANGE AND CHANGEOVER SELECTIONS BY MODEL

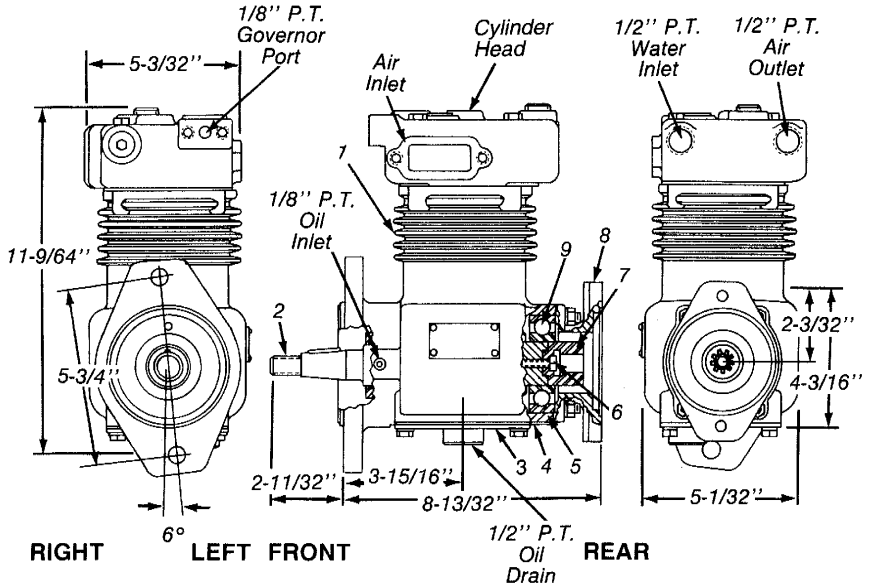
REMFR. EXCH. PC. NO.	CHANGEOVER TO/FROM					COMPRESSOR APPLICATION	
	TU-FLO 400	TU-FLO 500	TU-FLO 501	TU-FLO 600	TU-FLO 700	ENGINE	TRUCK MODEL
104103	-	-	-	-	-	Series B Con. Diesel	-
108261	-	-	-	-	-		

Discharge fitting modifications are required for changeover. **BX2150** heads are supplied with 1/2" P.T. discharge ports on top and side.

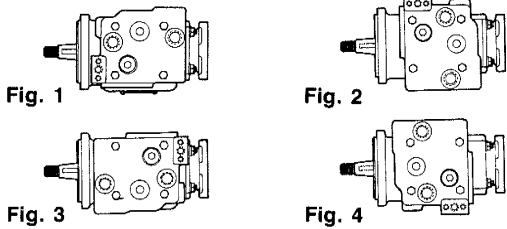
Replaces all compressors on this page.
Head may be rotated to fit O.E. applications.

PARTS LIST / GENERAL INFORMATION

KEY NO.	QTY.	DESCRIPTION	PC. NO.
1	1	Crankcase Standard	296661
2	1	Crankshaft	296722
3	1	Crankcase Cover	104058
4	1	Crankcase Cover Gasket	297547
5	1	O-Ring	296725
6	1	Cap Screw	296840
7	1	Crankshaft Connector	296837
8	1	Rear Adapter	296836
9	1	Rear Ball Bearing	241849



Head Positions
(Old Style Cylinder Head Shown)

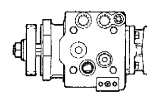


**ORIGINAL EQUIPMENT
SERVICE NEW
REMANUFACTURED EXCHANGE**

ORIGINAL EQUIPMENT

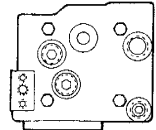
O.E. COMPRESSOR PC. NO.	RMFR. EXCH. PC. NO.	CUSTOMER IDENTIFICATION	HEAD POSITION	CYLINDER HEAD STYLE	COMMENTS
104001	104102	Cummins 3905686	Fig. 1	Old	
108248	108260		Fig. 1	New	
108788	108790	Ford F3HT-2875-EB	Fig. 4	See View A	w/Drive Hub
108789	108790		Fig. 4	See View A	w/Drive Hub
108734	108854	Ford E3HT-2875-DA	Fig. 1	New	w/Drive Hub
108735	108854		Fig. 1	New	w/Drive Hub

Special head design
for FORD



View A

New Style
Cylinder Head



SERVICE NEW EQUIPMENT

SERVICE NEW COMPRESSOR	HEAD POSITION	COMMENTS	CYLINDER HEAD STYLE	COMMENTS
065054	Figure 1	Service new compressors are supplied w/o discharge & inlet fittings, plugs and governors	Old	
065299	Figure 1	Service new compressors are supplied w/o discharge & inlet fittings, plugs and governors	New	
065375	Figure 4	Service new compressors are supplied w/o discharge & inlet fittings, plugs and governors	See View A	w/Drive Hub
065382	Figure 1	Service new compressors are supplied w/o discharge & inlet fittings, plugs and governors	New	w/Drive Hub

REMANUFACTURED EXCHANGE

REMFR. EXCH. PC. NO.	SERVICE NEW COMPRESSOR	O.E. COMPRESSOR	CYLINDER HEAD STYLE	COMMENTS
104102*	065054	104001	Old	—
108260	065299	108248	New	—
108790	065375	108788, 108789	See View A	w/Drive Hub
108854	065382		New	w/Drive Hub

*Assembled in Head Position Figure 1 supplied with extra Head Gasket 294562

RX. AND CHANGEOVER

REMANUFACTURED EXCHANGE AND CHANGEOVER SELECTIONS BY MODEL

REMFR. EXCH. PC. NO.	CHANGEOVER TO/FROM					COMPRESSOR APPLICATION	
	TU-FLO 400	TU-FLO 500	TU-FLO 501	TU-FLO 600	TU-FLO 700	ENGINE	TRUCK MODEL
104102	—	—	104473	—	—	Series B Con. Diesel	Various
108260	—	—	—	—	—	—	—
108790	—	—	—	—	—	—	—
108854	—	—	—	—	—	—	—

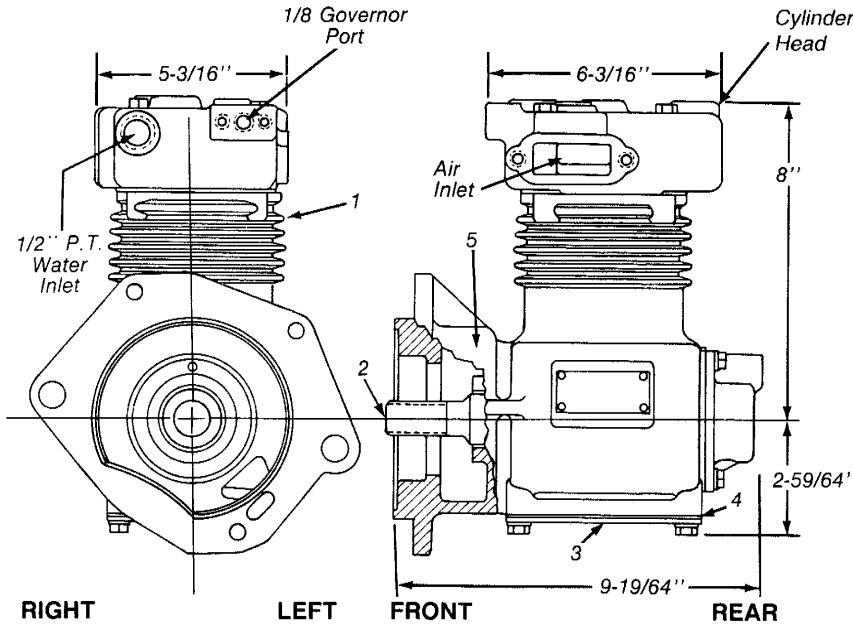
Discharge fitting modifications are required for changeover. BX2150 heads are supplied with 1/2" P.T. discharge ports on top and side.

RX. PIECE NO. 104042 & 107919

Replaces all compressors on this page.
Head may be rotated to fit O.E. applications.

**CATERPILLAR
FLANGE MOUNT**

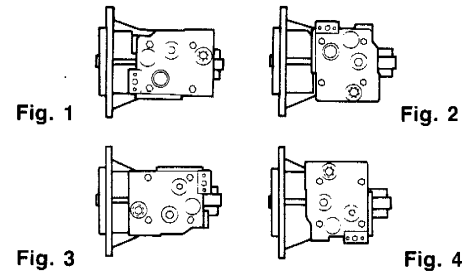
**CATALOG
01-L-15**



PARTS LIST / GENERAL INFORMATION

KEY NO.	QTY.	DESCRIPTION	PC. NO.
1	1	Crankcase Standard	296649
2	1	Crankshaft	296653
3	1	Crankcase Cover	296632
4	1	Crankcase Gasket	296633
5	1	Bearing	296348

Head Positions (Old Style Cylinder Head Shown)

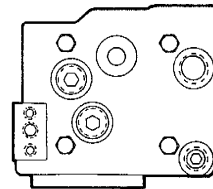


ORIGINAL EQUIPMENT SERVICE NEW REMANUFACTURED EXCHANGE

ORIGINAL EQUIPMENT

O.E. COMPRESSOR PC. NO.	RMFR. EXCHANGE PC. NO.	CUSTOMER IDENTIFICATION	HEAD POSITION	CYLINDER HEAD STYLE
103773	104042	CAT. 2W9270	Fig. 1	Old
103819	104042	-	Fig. 1	Old
107865	107919	CAT. 7E08541	Fig. 1	New
107918	107919	—	Fig. 1	New

New Style Cylinder Head



SERVICE NEW EQUIPMENT

SERVICE NEW COMPRESSOR	HEAD POSITION	COMMENTS	CYLINDER HEAD STYLE
065050	Figure 1	Service new compressors are supplied w/o discharge & inlet fittings, plugs and governors	Old
065265			New

REMANUFACTURED EXCHANGE

REMFR. EXCH. PC. NO.	SERVICE NEW COMPRESSOR	O.E. COMPRESSOR	CYLINDER HEAD STYLE
104042*	065050	103773, 103819	Old
107919	065265	107865, 107918	New

*Assembled in Head Position Figure 1 supplied with extra Head Gasket 294562.

RX. AND CHANGEOVER

REMANUFACTURED EXCHANGE AND CHANGEOVER SELECTIONS BY MODEL

REMFR. EXCH. PC. NO.	CHANGEOVER TO/FROM					COMPRESSOR APPLICATION	
	TU-FLO 400	TU-FLO 500	TU-FLO 501	TU-FLO 600	TU-FLO 700	ENGINE	TRUCK MODEL
104042	289541	284790	286594	—	289336	3304/ 3306	Various
107919							

Discharge fitting modifications are required for changeover. **BX2150** heads are supplied with 1/2" P.T. discharge ports on top and side.