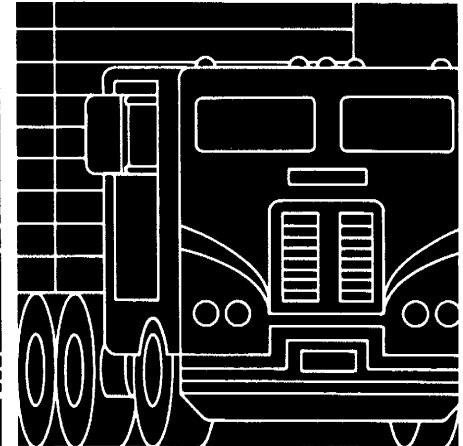
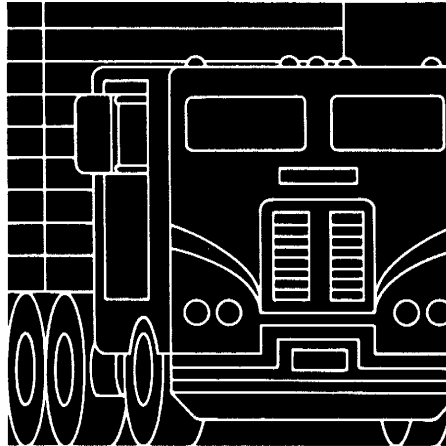
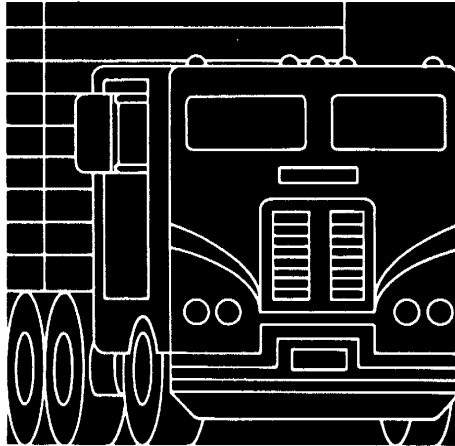
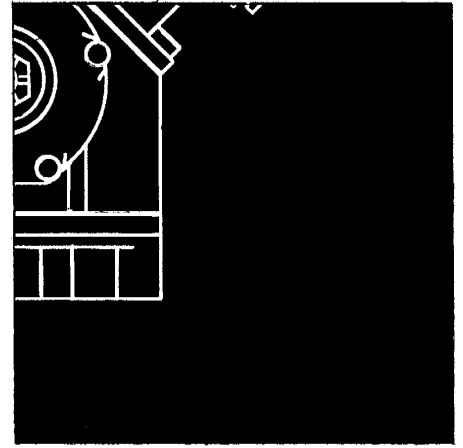
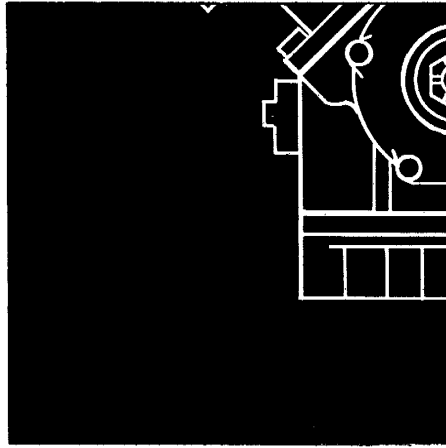
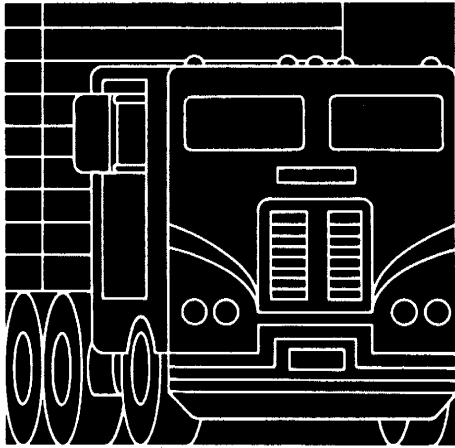
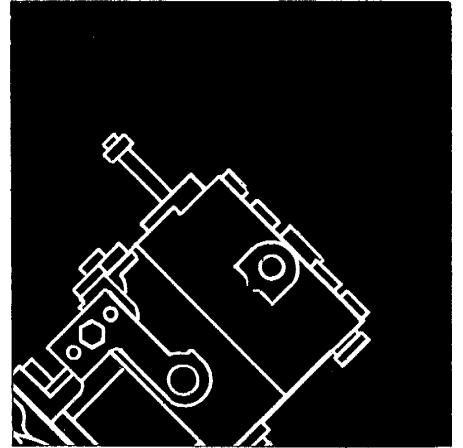
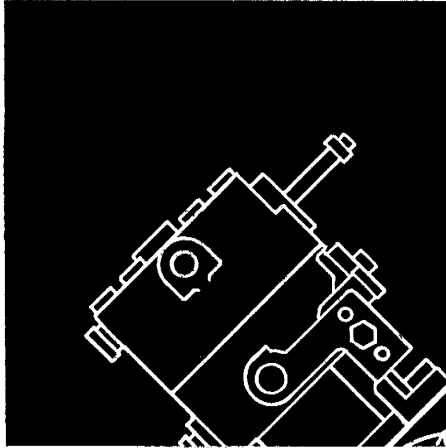
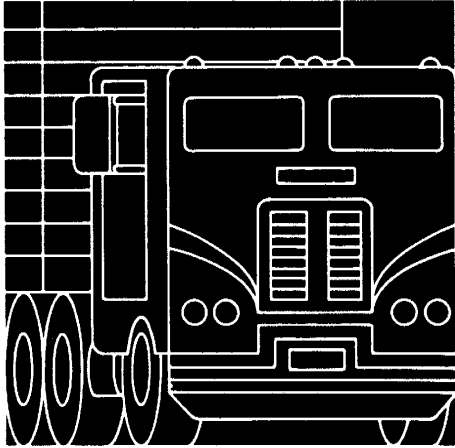
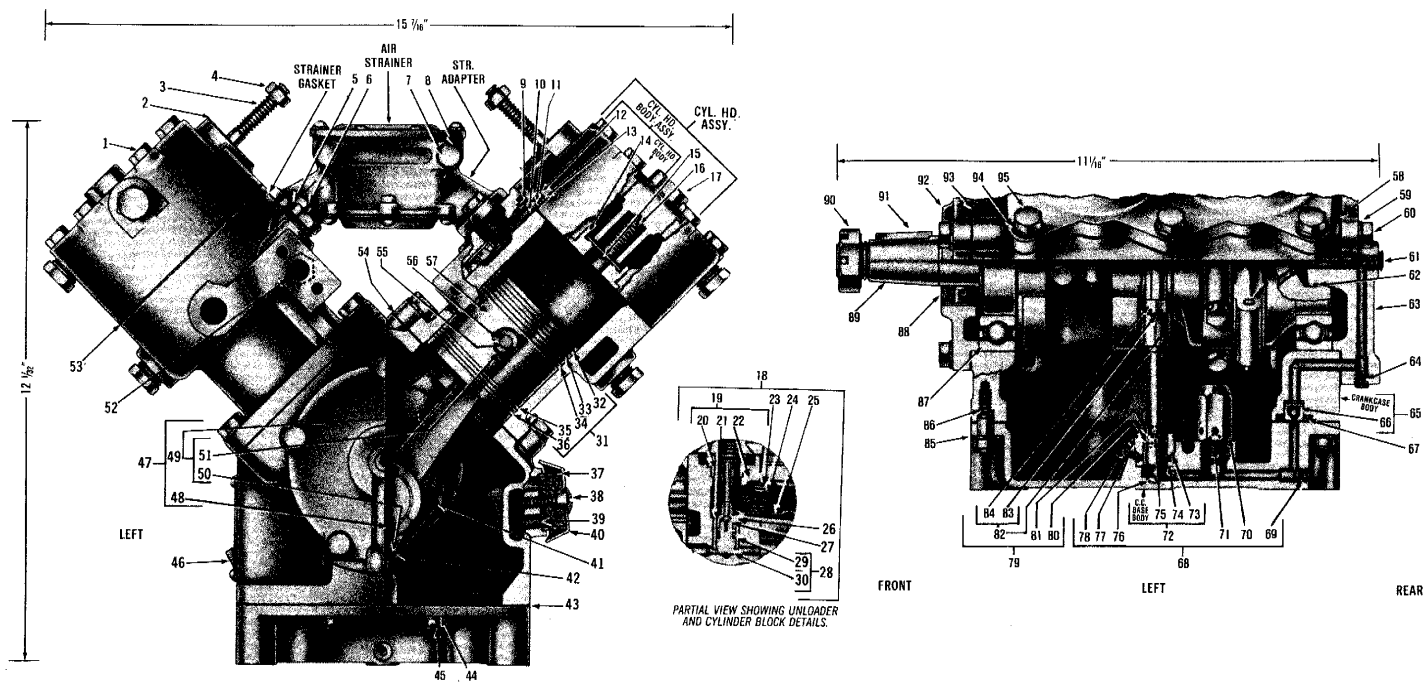


Tu-Flo 1000 Compressor

Service Parts
Remanufactured Exchange
Catalog 01-G-01



SELF LUBRICATED-WATER COOLED



No.	Pc. No.	Quan.	Description	No.	Pc. No.	Quan.	Description
1	237696	20	Cap Screw	52	230111	2	Pipe Plug, 1/4"
2	204820	2	Discharge Fitting Gasket	53	238634	2	Cylinder Head Gasket
3	230672	4	Stud	54	235416	2	Cylinder Block Gasket
4	203145	4	Nut	55	292392	4	Wrist Pin Button
5	237648	4	Lock Washer	56	292830	4	Wrist Pin
6	202979	4	Cap Screw	57	292807	4	Piston
7	210106	4	Cap Screw	58	239402	1	Rear End Cover Gasket
8	237648	4	Lock Washer	59	237648	10	Lock Washer
9	239395	4	Inlet Valve Guide	60	237315	10	Cap Screw
10	236125	4	Inlet Valve	61	232999	1	Pipe Plug, 1/8"
11	236126	4	Inlet Valve Spring	62	203028	1	Oil Seal Ring
See Schedule		2	CYLINDER HEAD ASSY.	63	239403	1	Rear End Cover
See Schedule		2	Cyl. Hd. Body Assy.	64	233008	1	Pipe Plug, 1/16"
12	240143	4	Inlet Valve Spring Insert	65	229002	1	CRANKCASE ASSY.
13	240142	4	Inlet Valve Spring Seat	See Schedule		1	Crankcase Body
14	237291	4	Discharge Valve Seat	66	217425	1	Oil Check Valve Assy.
See Schedule		2	Cyl. Head Body	67	211578	1	Oil Seal Gasket
15	230935	4	Discharge Valve	68	229005	1	CRANKCASE BASE ASSY.
16	210468	4	Discharge Valve Spring	69	233008	1	Pipe Plug, 1/16"
17	236215	4	Discharge Valve Cap Nut	70	217428	1	Relief Valve Assy.
18	228238	2	CYLINDER BLOCK ASSY.	71	211812	1	Set Screw
19	228233	2	Cyl. Block Body Assy.	72	229006	1	Crankcase Base Body Assy.
20	236118	4	Inlet Valve Seat	73	204202	1	Bushing
21	238586	4	Bushing	74	212083	1	Washer
22	238629	2	Cyl. Block-Body	75	211812	1	Set Screw
23	238491	2	Unloader Spring Seat	See Schedule		1	Crankcase Base Body
24	239972	2	Unloader Spring	76	233410	2	Pipe Plug, 1/8"
25	240024	2	Unloader Spring Saddle	77	204149	1	Retaining Ring
26	240022	4	Unloader Plunger Guide	78	220186	1	Oil Strainer Assy.
27	240023	4	Unloader Plunger	79	224035	1	OIL PUMP ROD & PISTON ASSY.
28	229875	4	Unloader Piston Assy.	80	204151	1	Piston Pin
29	238144	4	Back-up Ring	81	204137	1	Piston
	238143	4	Grommet	82	224036	1	Oil Pump Rod & Cap Assy.
30	240018	4	Unloader Piston	83	231649	2	Bolt
31	288646	2	PISTON RING SET	84	203227	2	Nut
32	234811	4	Compression Ring	85	237648	1	Lock Washer
33	234811	4	Compression Ring	86	204131	1	Dowel Screw
34	281893	4	Oil Scraper Ring	87	235440	2	Ball Bearing
35	234811	4	Compression Ring	88	212735	1	Oil Seal
36	281893	4	Oil Scraper Ring	89	239401	1	Crankshaft
37	212986	1	Breather Sleeve	90	202926	1	Nut
38	211503	1	Machine Screw	91	211347	1	Key
39	212985	1	Strainer Plate	92	239405	1	Front End Cover
40	212987	1	Breather Cap	93	239404	1	Front End Cover Gasket
41	203016	2	Cotter Pin	94	237686	12	Lock Washer
42	292129	8	Lock Strap	95	210897	12	Cap Screw
43	239411	1	Crankcase Base Gasket				
44	202981	7	Lock Washer				
45	203020	7	Machine Screw				
46	225351	1	Oil Filler Gage Plug				
47	288661	4	CONNECTING ROD COMPLETE				
48	239409	8	Bearing Insert				
49	288660	4	Conn. Rod & Cap Assy.				
50	239408	8	Bolt				
51	230923	4	Wrist Pin Bushing				

REMANUFACTURED EXCHANGE SELECTIONS
SELF LUBRICATED-WATER COOLED

Orig. Equip. Pc. No.	Remfr. Exch. Pc. No.	Options
229000	229000	275170, 276408, 277287, 279858, 284101
229826	229826	229839, 275203, 276409
229839	229826	275203, 276409
275170	229000	275170, 276408, 277287, 279858
275203	275203	229826, 276409
276324	276324	—
276408	229000	277287, 279858, 284101
276409	229839	229826, 275203
277287	229000	275170, 276408, 279858, 284101
279858	229000	275170, 276408, 277287, 284101
281118	281933	—
284101	229000	275170, 276408, 277287, 279858

SELF LUBRICATED-WATER COOLED

Orig. Equip. Pc. No.	Cylinder Head Assy.	Cylinder Hd. Body Assy.	Cylinder Head Body	Crankcase Body	Crankshaft	Stud or Cap Screw
229000	283615	283618	247845	239400 (1)	239401	230672
HM 229826	283615	283618	247845	239981 (2)	239401	230672
229839	283615	283618	247845	239981 (2)	239401	230672
IN 275170	226098	226315	236213	239400 (1)	239401	230672
IN 275203	226098	226315	236213	239981 (2)	239401	230672
276324	226098	226315	236213	239400 (1)	241318	230672
MH 276408	283615	283618	247845	239400 (1)	239401	230672
AI 276409	283615	283618	247845	239981 (2)	239401	233798
A 277287	283615	283618	247845	239400 (1)	239401	233798
LH 279858	283615	283618	247845	239400 (1)	239401	230672
AJ 281118	283615	283618	247845	239400 (1)	239401	230672
281933	283615	283618	247845	239400 (1)	239401	230672
A 284101	283615	283618	247845	239400 (1)	239401	230672

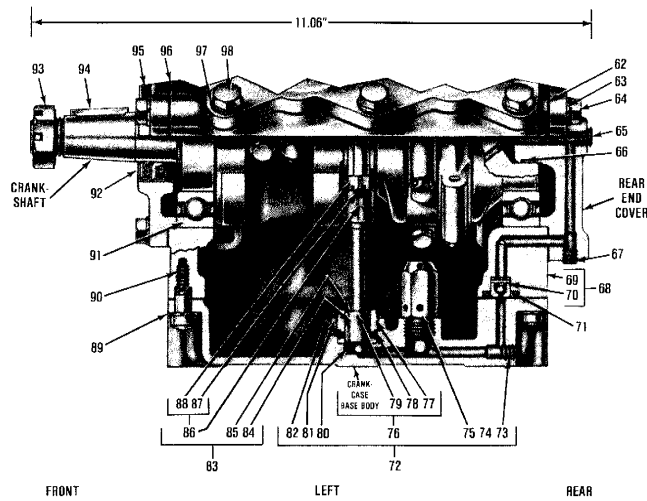
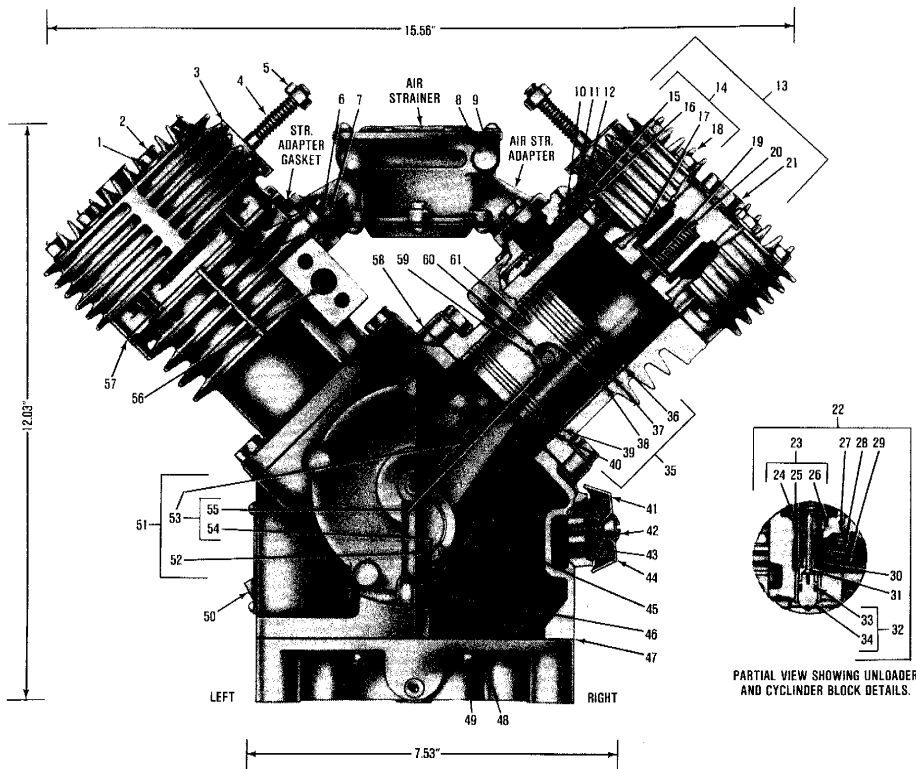
- (1) Oil Filler Front
- (2) Oil Filler Rear-Substitute C.C. Assy. 229827 for Item 65.

MAINTENANCE KITS SHOWN ON PAGE 12.

Orig. Equip. Pc. No.	Air Inlet Location	Air Strainer	Air Disch. Location	Strainer Adapter	Str. Adapter Gasket	Governor	Governor Location	Water Ports		Crankcase Base Body
								Inlet-Size	Outlet-Size	
229000	MID	226469	MID	239414	239413	—	—	Blk-RR- $\frac{3}{8}$	HD. FR. $\frac{1}{2}$	239412
HM 229826	MID	226469	MID	239414	239413	—	RIGHT RR	Blk-RR- $\frac{3}{8}$	HD. FR. $\frac{1}{2}$	239412
229839	MID	226469	MID	239414	239413	—	—	Blk-RR- $\frac{3}{8}$	HD. FR. $\frac{1}{2}$	239412
IN 275170	MID	226469	MID	239414	239413	226363	LEFT RR	Blk-RR- $\frac{3}{8}$	HD. FR. $\frac{3}{8}$	239412
IN 275203	MID	226469	MID	239891	239413	227087	LEFT RR	Blk-RR- $\frac{3}{8}$	HD. FR. $\frac{3}{8}$	239412
276324	MID	226469	MID	239414	239413	—	—	Blk-RR- $\frac{3}{8}$	HD. FR. $\frac{3}{8}$	239412
MH 276408	MID	226469	MID	239891	239413	—	RIGHT RR	Blk-RR- $\frac{3}{8}$	HD. FR. $\frac{1}{2}$	239412
AI 276409	MID	226469	MID	239414	239413	281884	LEFT RR	Blk-RR- $\frac{3}{8}$	HD. FR. $\frac{1}{2}$	239412
A 277287	MID	226469	MID	239414	239413	277284	LEFT RR	Blk-RR- $\frac{3}{8}$	HD. FR. $\frac{1}{2}$	239412
LH 279858	MID	226469	MID	239414	239413	279160	—	Blk-RR- $\frac{3}{8}$	HD. FR. $\frac{1}{2}$	239412
AJ 281118	MID	—	MID	239414	—	279160	LEFT RR	Blk-RR- $\frac{3}{8}$	HD. FR. $\frac{1}{2}$	245508
281933	MID	226469	MID	239891	239413	—	—	Blk-RR- $\frac{3}{8}$	HD. FR. $\frac{1}{2}$	245508
A 284101	MID	226469	MID	239414	239413	281884	LEFT RR	Blk-RR- $\frac{3}{8}$	HD. FR. $\frac{1}{2}$	239412

- A- ADD TWO (2) 240910 CAP SCREW, TWO (2) 237648 L.W., ONE (1) 205539 TUBING ELBOW, ONE (1) GOV. TUBE, ONE (1) 224318 $\frac{1}{4}$ TUBING ELBOW, ONE (1) 236577 GASKET.
- H- ADD TWO (2) 240730 CAP SCREW, FOUR (4) 237648 L.W., ONE (1) 245511 INLET COVER, ONE (1) 277218 INLET FITTING, THREE (3) 291909 GASKET, ONE(1) 238948 STR. PLATE, 237687 CAP SCREW.
- I- ADD TWO (2) 204820 GASKET, TWO (2) 213042 DISCHARGE FITTING, TWO (2) 233798 STUD, TWO (2) 203145 NUT.
- J- ADD TWO (2) 204730 CAP SCREW, ONE (1) 245511 INLET COVER, THREE (3) 291909 GASKET, ONE (1) 238948 STR. PLATE.
- L- ADD ONE (1) GASKET, ONE (1) 205539 TUBING ELBOW, ONE (1) 224318 TUBING ELBOW, ONE (1) 242032 GOV. TUBE.
- M- ADD TWO (2) 240910 CAP SCREW.
- N- ADD TWO (2) 240910 CAP SCREW, TWO (2) 237648 L.W., ONE (1) 205539 TUBING ELBOW, ONE (1) 224318 TUBING ELBOW, ONE (1) 236577 GASKET, ONE (1) 240328 GOV. TUBE.

SELF LUBRICATED-AIR COOLED



MAINTENANCE KITS SHOWN ON PAGE 12.

Orig. Equip. Pc. No.	Crank-Case Body	Crank-Shaft	Air Inlet Location	Air Strainer	Air Disch. Location	Air Strainer Adapter	Strainer Adapter Gasket	Rear End Cover	Crankcase Base Body
229001	239400	239401	MID	226469	MID	239414	239413	239403	239412
279525	239400	239401	MID	226469	MID	239414	239413	239403	245508
281368	239981	239401	MID	226469	MID	239414	239413	239403	239412
281614	239400	239401	MID	226469	MID	239414	239413	239403	245508
287636	239400	291352	MID	226469	MID	239414	239413	239403	239412
BC 288578	239400	240120	MID	279900	MID	239414	291909	288581	292069

B-ADD TWO(2) 204820 GASKET, ONE (1) 220071 DISCHARGE FITTING, TWO (2) 203145 NUT, ONE (1) 217246 DISCHARGE FITTING.

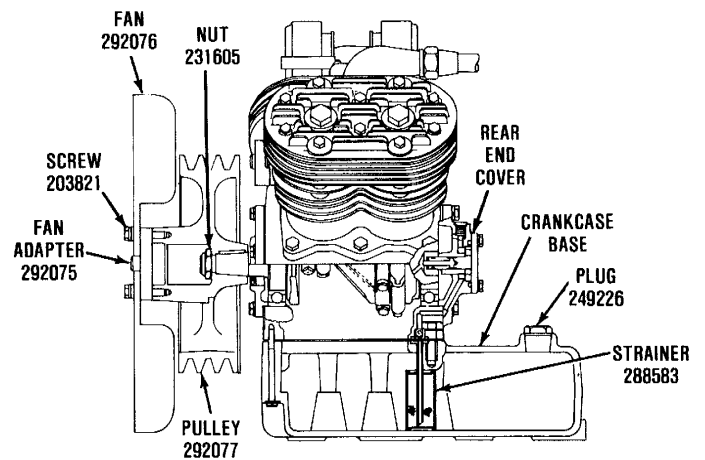
C-ADD ONE (1) 292076 FAN, ONE (1) 292077 PULLEY, FOUR (4) 203821 CAP SCREW, FOUR (4) 230497 WASHER, ONE (1) 292075 FAN ADAPTER.

SELF LUBRICATED-AIR COOLED

No.	Pc. No.	Quan.	Description	No.	Pc. No.	Quan.	Description
1	232850	20	Washer	51	288661	4	CONNECTING ROD COMPLETE
2	237696	20	Cap Screw	52	239409	8	Bearing Insert
3	204820	2	Discharge Fitting Gasket	53	288660	4	Conn. Rod & Cap Assy.
4	230672	4	Stud	54	239408	8	Bolt
5	203145	4	Nut	55	230923	4	Wrist Pin Bushing
6	237648	4	Lock Washer	56	230111	2	Pipe Plug, 1/8"
7	202979	4	Cap Screw	57	238633	2	Cylinder Head Gasket
8	210106	4	Cap Screw	58	235416	2	Cylinder Block Gasket
9	237648	4	Lock Washer	59	292392	4	Wrist Pin Button
10	239395	4	Inlet Valve Guide	60	292830	4	Wrist Pin
11	236125	4	Inlet Valve	61	292807	4	Piston
12	236126	4	Inlet Valve Spring	62	239402	1	Rear End Cover Gasket
13	275017	2	CYLINDER HEAD ASSEMBLY	63	237648	10	Lock Washer
14	275018	2	Cylinder Head Body Assy.	64	237315	10	Cap Screw
15	240143	4	Inlet Valve Spring Insert	65	232999	1	Pipe Plug, 1/8"
16	240142	4	Inlet Valve Spring Seat	66	203028	1	Oil Seal Ring
17	237291	4	Discharge Valve Seat	67	233008	1	Pipe Plug, 1/16"
18	240141	2	Cylinder Head Body	68	229002	1	CRANKCASE ASSEMBLY
19	230935	4	Discharge Valve	69	239400	1	Crankcase Body
20	210468	4	Discharge Valve Spring	70	217425	1	Oil Check Valve Assy.
21	236215	4	Discharge Valve Cap Nut	71	211578	1	Oil Seal Gasket
22	228239	2	CYLINDER BLOCK ASSEMBLY	72	229005	1	CRANKCASE BASE ASSEMBLY
23	228240	2	Cylinder Block Body Assy.	73	233008	1	Pipe Plug, 1/16"
24	236118	4	Inlet Valve Seat	74	217428	1	Relief Valve Assembly
25	238586	4	Bushing	75	211812	1	Set Screw
26	238630	2	Cylinder Block Body	76	229006	1	Crankcase Base Body Assy.
27	238491	2	Unloader Spring Seat	77	204202	1	Bushing
28	239972	2	Unloader Spring	78	212083	1	Washer
29	240024	2	Unloader Spring Saddle	79	211812	1	Set Screw
30	240022	4	Unloader Plunger Guide	See Schedule		1	Crankcase Base Body
31	240023	4	Unloader Plunger	80	233410	2	Pipe Plug, 1/8"
32	229875	4	Unloader Piston Assembly	81	204149	1	Retaining Ring
33	238144	4	Back-up Ring	82	220186	1	Oil Strainer Assy.
33	238143	4	Grommet	83	224035	1	OIL PUMP ROD & PISTON ASSY.
34	240018	4	Unloader Piston	84	204151	1	Piston Pin
35	288646	2	PISTON RING SET	85	204137	1	Piston
36	234811	4	Piston Ring	86	224036	1	Oil Pump Rod & Cap Assy.
37	234811	4	Piston Ring	87	231649	2	Bolt
38	281893	4	Piston Ring	88	203227	2	Nut
39	234811	4	Piston Ring	89	237648	1	Lock Washer
40	281893	4	Piston Ring	90	204131	1	Dowel Screw
41	212986	1	Breather Sleeve	91	235440	2	Ball Bearing
42	211503	1	Machine Screw	92	212735	1	Oil Seal
43	212985	1	Strainer Plate	93	202926	1	Nut
44	212987	1	Breather Cap	94	211347	1	Key
45	203016	2	Cotter Pin	95	239405	1	Front End Cover
46	292129	8	Lock Strap	96	239404	1	Front End Cover Gasket
47	239411	1	Crankcase Base Gasket	97	237686	12	Lock Washer
48	202981	7	Lock Washer	98	210897	12	Cap Screw
49	203020	7	Machine Screw				
50	225351	1	Oil Filter Gage Plug				

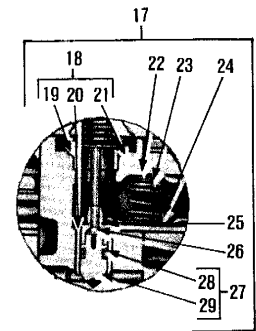
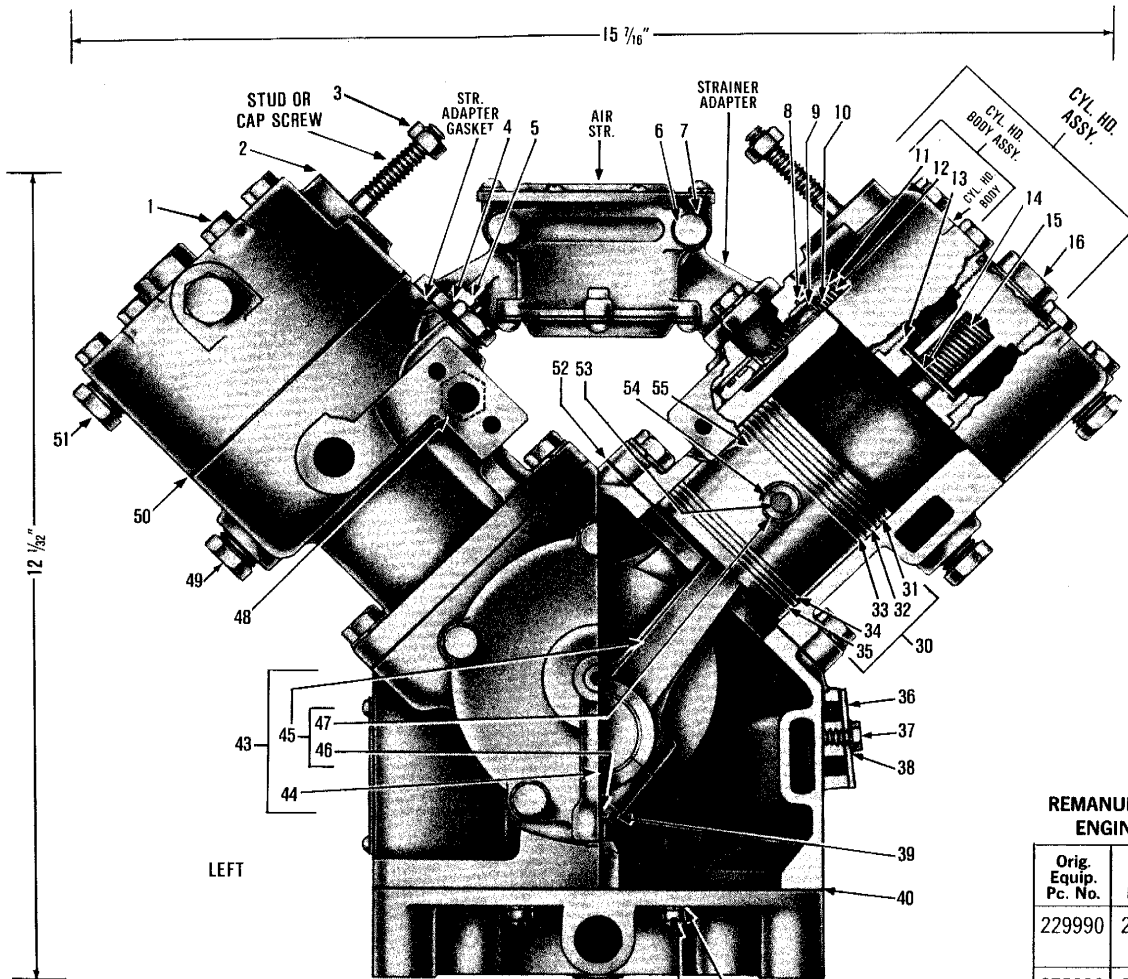
REMANUFACTURED EXCHANGE SELECTIONS
SELF LUBRICATED-AIR COOLED

Orig. Equip. Pc. No.	Remfr. Exch. Pc. No.	Options
229001	229001	281368
279525	279525	281614
281368	229001	—
281614	279525	—
287636	287636	—
288578	288578	—

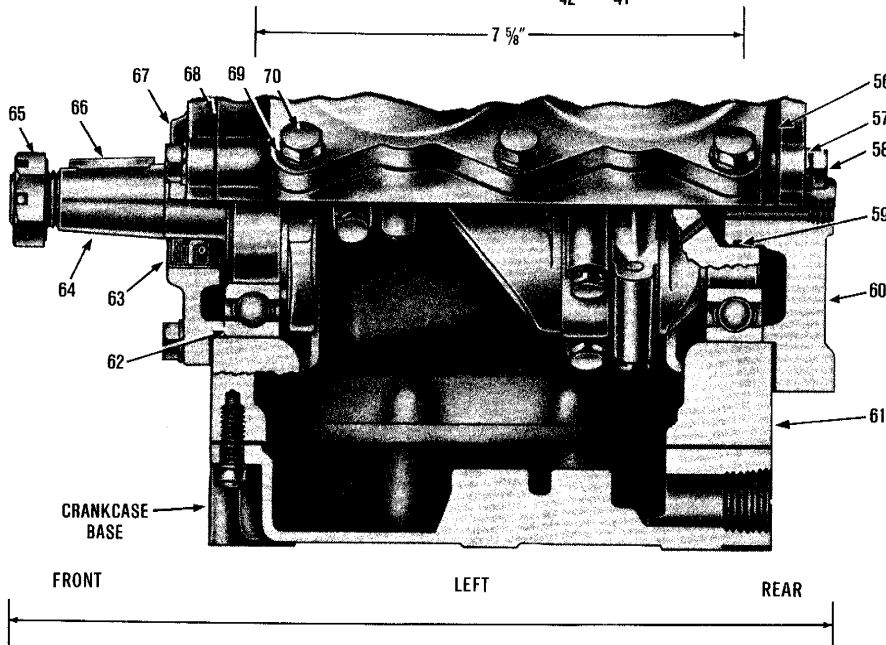


VIEW FOR COMPR. 288578

ENGINE LUBRICATED-WATER COOLED



PARTIAL VIEW SHOWING UNLOADER & CYLINDER BLOCK DETAILS.



REMANUFACTURED EXCHANGE SELECTIONS
ENGINE LUBRICATED-WATER COOLED

Orig. Equip. Pc. No.	Remfr. Exch. Pc. No.	Options
229990	229990	275286, 283482, 284048, 284788, 286742, 288930
275286	229990	283482, 284048, 284788
275352	277745	229990, 277744, 277745, 279194
276615	276615	281876
277744	277745	229990, 275352, 277744
279161	229990	275286, 275352, 279526
279194	229990	275286, 275352, 279526
279526	229990	275286, 275352, 279526
279766	279526	229990, 275286, 275352
281091	229990	275286, 275352, 279526
281876	276615	—
283276	283276	229990, 275286, 283482
283482	229990	275286, 279161, 286742
283669	283669	283706, 283707, 287232, 289802
283706	283669	283707, 287232, 289802
283707	283669	283706, 287232, 289802
283998	229990	275286, 279526, 283276
284048	229990	275286, 279526, 283276
284788	229990	275286, 279526, 283276
286742	286742	—
287232	283669	283706, 283707, 289802
288930	288930	—
289802	283669	283706, 283707, 287232

MAINTENANCE KITS SHOWN ON PAGE 12.

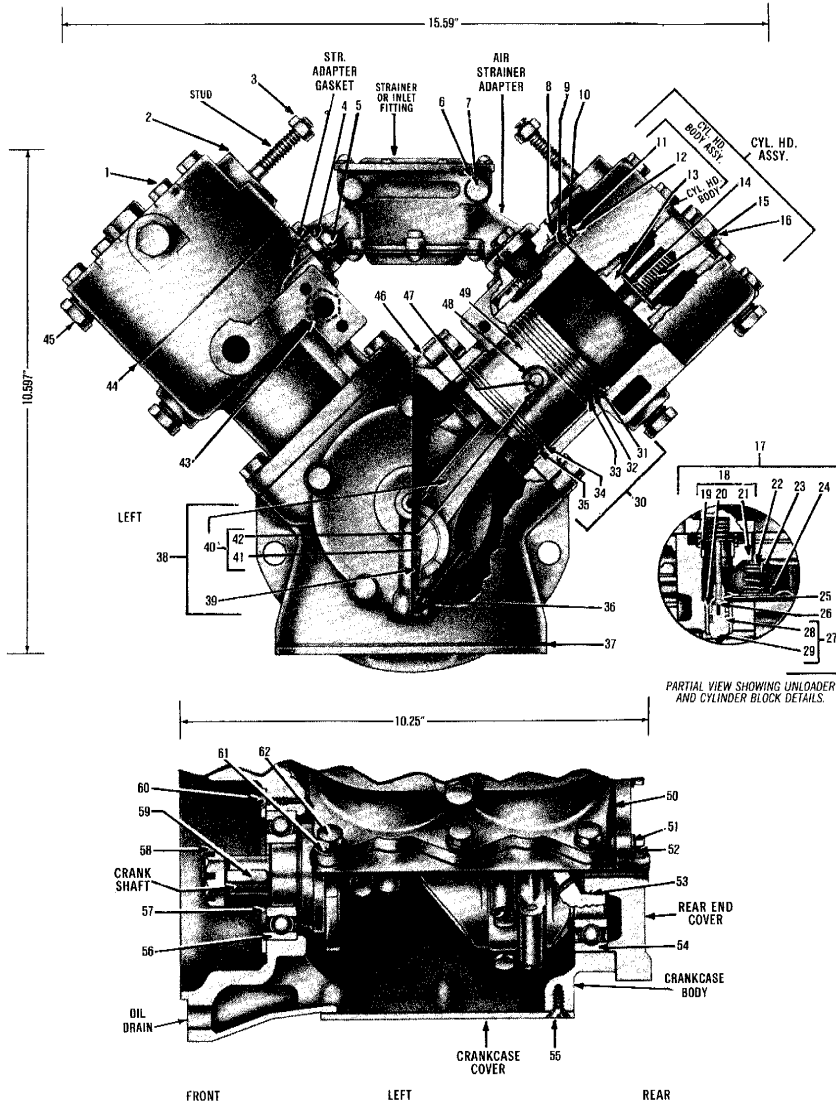
ENGINE LUBRICATED-WATER COOLED

Orig. Equip. Pc. No.	Cyl. Head Assy.	Cyl. Hd. Body Assy.	Cyl. Head Body	Stud or Cap Screw	Dis-Charge Fitting	Air Strainer Adapter	Air Str. Adapter Gasket	Air Inlet Locat.	Air Strainer	Air Disch. Locat.	Governor	Governor Location	Water Ports		Oil Inlet Location	Crank-case Base
													Inlet-Size	Outlet-Size		
229990	283615	283618	247845	230672	—	239414	291909	MID	226469	MID	—	—	Blk.-RR-3/8	HD-FR-1/2	Center RR	240122
A 275286	283615	283618	247845	230672	—	239891	291909	MID	226469	MID	277284	Left RR	Blk.-RR-3/8	HD-FR-1/2	Center RR	240122
D 275352	283615	283618	247845	230672	—	239414	239413	MID	226469	MID	—	—	Blk.-RR-3/8	HD-FR-3/8	Center RR	240122
D 276615	283615	283618	247845	—	—	241557	239413	MID	226469	MID	—	—	Blk.-RR-3/8	HD-FR-1/2	Center RR	240122
DN 277744	226098	226315	236213	230672	—	239891	239413	MID	226469	MID	227087	Left RR	Blk.-RR-3/8	HD-FR-3/8	Center RR	240122
D 277745	226098	226315	236213	—	—	—	—	MID	—	MID	—	—	Blk.-RR-3/8	HD-FR-3/8	Center RR	240122
AD 279161	283615	283618	247845	233798	213042	239414	291909	MID	226469	MID	279160	Left RR	Blk.-RR-3/8	HD-FR-1/2	Center RR	240122
A 279194	226098	226315	236213	230672	—	239414	239413	MID	226469	MID	279160	Left RR	Blk.-RR-3/8	HD-FR-3/8	Left RR	240122
A 279526	283615	283618	247845	230672	—	239891	291909	MID	226469	MID	277284	Left RR	Blk.-RR-3/8	HD-FR-1/2	Left RR	240122
D 279766	283615	283618	247845	230672	—	239414	239413	MID	226469	MID	—	—	Blk.-RR-3/8	HD-FR-1/2	Center RR	240122
A 281091	226098	226315	236213	230672	—	—	—	MID	—	MID	277284	Left RR	Blk.-RR-3/8	HD-FR-3/8	Center RR	240122
ADP 281876	283615	283618	247845	230672	—	—	236170	MID	226469	MID	—	—	Blk.-RR-3/8	HD-FR-1/2	Center RR	241557
P 283276	283615	283618	247845	230672	—	—	236170	MID	—	MID	—	—	Blk.-RR-3/8	HD-FR-1/2	Center RR	240122
AI 283482	283615	283618	247845	233798	213042	239414	291909	MID	226469	MID	277284	Left RR	Blk.-RR-3/8	HD-FR-1/2	Center RR	240122
D 283669	283615	283618	247845	—	—	239414	239413	MID	226469	MID	—	—	Blk.-RR-3/8	HD-FR-1/2	Center RR	240122
D 283706	283615	283618	247845	—	—	239414	239413	MID	226469	MID	—	—	Blk.-RR-3/8	HD-FR-1/2	Center RR	240122
283707	283615	283618	247845	—	—	—	—	MID	—	MID	—	—	Blk.-3/8 All Open	HD-1/2 All Open	Center RR	241557
A 283998	283615	283618	247845	230672	—	—	236170	MID	—	MID	277284	—	Blk.-RR-3/8	HD-FR-1/2	Center RR	240122
DG 284048	283615	283618	247845	230672	—	239414	291909	MID	—	MID	—	—	Blk.-RR-3/8	HD-FR-1/2	Center RR	240122
ADGI284788	283615	283618	247845	233798	213042	239414	291909	MID	—	MID	277284	Left RR	Blk.-RR-3/8	HD-FR-1/2	Center RR	240122
286742	283615	283618	247845	230672	—	239891	291909	MID	226469	MID	—	—	Blk.-RR-3/8	HD-FR-1/2	Center RR	240122
287232	283615	283618	247845	230672	—	239414	291909	MID	226469	MID	—	—	Blk.-RR-3/8	HD-FR-1/2	Center RR	241557
D 288930	283615	283618	247845	230672	—	—	—	MID	—	MID	—	—	Blk.-RR-3/8	HD-FR-1/2	Center RR	240122
D 289802	283615	283618	247845	—	—	239414	291909	MID	—	MID	—	—	Blk.-RR-3/8	HD-FR-1/2	Center RR	241557

- A-ADD TWO (2) 240910 CAP SCREW, TWO (2) 237648 L.W., ONE (1) 205539 1/4 TUBING ELBOW, ONE (1) GOV. TUBE, ONE (1) 224318 TUBING ELBOW, ONE (1) 236577 GASKET.
- D-ADD TWO (2) 237705 3/8 WING TYPE DRAIN COCK.
- G-ADD TWO (2) 240730 CAP SCREW, FOUR (4) 237648 L.W., ONE (1) 245511 INLET COVER, ONE (1) 241340 INLET FITTING, THREE (3) 291909 GASKET, TWO (2) 237315 CAP SCREW, ONE (1) 238948 STR. PLATE.
- I-ADD TWO (2) 204820 GASKET, TWO (2) DISCHARGE FITTING, TWO (2) 233798 STUD, TWO (2) 203145 NUT.
- N-ADD TWO (2) 240910 CAP SCREW, TWO (2) 237648 L.W., ONE (1) 205539 TUBING ELBOW, ONE (1) 224318 TUBING ELBOW, ONE (1) 236577 GASKET, ONE (1) 240328 GOV. TUBE.
- P-ADD TWO (2) 236676 INLET ELBOW, FOUR (4) 232431 CAP SCREW, FOUR (4) 236170 GASKET, TWO (2) 238948 STR. PLATE, FOUR (4) 237648 L.W.

No.	Pc. No.	Quan.	Description	No.	Pc. No.	Quan.	Description
1	237696	20	Cap Screw	36	240119	1	Cover Plate
2	204820	2	Discharge Fitting Gasket	37	203117	1	Cap Screw
3	203145	4	Nut	38	202981	1	Lock Washer
4	237648	4	Lock Washer	39	292129	8	Lock Strap
5	202979	4	Cap Screw	40	239411	1	Crankcase Base Gasket
6	210106	4	Cap Screw	41	202981	8	Lock Washer
7	237648	4	Lock Washer	42	203020	8	Machine Screw
8	239395	4	Inlet Valve Guide				
9	236125	4	Inlet Valve	43	288661	4	CONNECTING ROD COMPLETE
10	236126	4	Inlet Valve Spring	44	239409	8	Bearing Insert
	See Schedule	2	CYLINDER HEAD ASSY.	45	288660	4	Conn. Rod & Cap Assy.
	See Schedule	2	Cylinder Head Body Assy.	46	239408	8	Bolt
11	240143	4	Inlet Valve Spring Inserts	47	230923	4	Wrist Pin Bushing
12	240142	4	Inlet Valve Spring Seat	48	230111	2	Pipe Plug, 1/4"
13	237291	4	Discharge Valve Seat	49	238807	8	Pipe Plug, 3/8"
	See Schedule	2	Cylinder Head Body	50	238634	2	Cylinder Head Gasket
14	230935	4	Discharge Valve	51	238822	4	Pipe Plug, 1/2"
15	210468	4	Discharge Valve Spring	52	235416	2	Cylinder Block Gasket
16	236215	4	Discharge Valve Cap Nut	53	292392	4	Wrist Pin Button
				54	292830	4	Wrist Pin
17	228238	2	CYLINDER BLOCK ASSY.	55	292807	4	Piston
18	228233	2	Cylinder Block Body Assy.	56	239402	1	Rear End Cover Gasket
19	236118	4	Inlet Valve Seat	57	237648	10	Lock Washer
20	236586	4	Bushing	58	237315	10	Cap Screw
21	238629	2	Cylinder Block Body	59	203028	1	Oil Seal Ring
22	238491	2	Unloader Spring Seat	60	240121	1	Rear End Cover
23	239972	2	Unloader Spring	61	240118	1	Crankcase Body
24	240024	2	Unloader Spring Saddle	62	235440	2	Ball Bearing
25	240022	4	Unloader Plunger Guide	63	212735	1	Oil Seal
26	240023	4	Unloader Plunger	64	240120	1	Crankshaft
27	229875	4	Unloader Piston Assy.	65	202926	1	Nut
28	238144	4	Back-up Ring	66	211347	1	Key
	238143	4	Grommet	67	239405	1	Front End Cover
29	288646	4	Unloader Piston	68	239404	1	Front End Cover Gasket
				69	237686	12	Lock Washer
30	288646	2	PISTON RING SET	70	210897	12	Cap Screw
31	234811	4	Piston Ring				
32	234811	4	Piston Ring				
33	281893	4	Piston Ring				
34	234811	4	Piston Ring				
35	281893	4	Piston Ring				

FLANGE TYPE-WATER COOLED



No.	Pc. No.	Quan.	Description
1	237696	20	Cap Screw
2	204820	2	Discharge Fitting Gasket
3	203145	4	Nut
4	237648	4	Lock Washer
5	202979	4	Cap Screw
6	237648	4	Lock Washer
7	210106	4	Cap Screw
8	239395	4	Inlet Valve
9	236125	4	Inlet Valve
10	236126	4	Inlet Valve Spring
See Schedule		2	CYLINDER HEAD ASSY.
See Schedule		2	Cylinder Head Body Assy.
11	240143	4	Inlet Valve Spring Insert
12	240142	4	Inlet Valve Spring Seat
13	237291	4	Discharge Valve Seat
See Schedule		2	Cylinder Head Body
14	230935	4	Discharge Valve
15	210468	4	Discharge Valve Spring
16	236215	4	Discharge Valve Cap Nut
17	228238	2	CYLINDER BLOCK ASSY.
18	228233	2	Cylinder Block Body Assy.
19	236118	4	Inlet Valve Seat
20	238586	4	Bushing
21	238629	2	Cylinder Block Body
22	238491	2	Unloader Spring Seat
23	239972	2	Unloader Spring
24	240024	2	Unloader Spring Saddle
25	240022	4	Unloader Plunger Guide
26	240023	4	Unloader Plunger
27	229875	4	Unloader Piston Assy.
28	238144	4	Back-up Ring
28	238143	4	Grommet
29	240018	4	Unloader Piston
30	288646	2	PISTON RING SET
31	234811	4	Piston Ring
32	234811	4	Piston Ring
33	291893	4	Piston Ring
34	234811	4	Piston Ring
35	291893	4	Piston Ring
36	292129	8	Lock Strap
37	292365	1	Crankcase Cover Gasket
38	288661	4	CONNECTING ROD COMPLETE
39	239409	8	Bearing Insert
40	288660	4	Conn. Rod & Cap Assy.
41	239408	8	Bolt
42	290923	4	Wrist Pin Bushing
43	230111	2	Pipe Plug, 1/4"
44	238634	2	Cylinder Head Gasket
45	238807	16	Pipe Plug, 3/8"
46	235416	2	Cylinder Block Gasket
47	292392	4	Wrist Pin Button
48	292830	4	Wrist Pin
49	292807	4	Piston
50	239404	1	End Cover Gasket
51	237648	5	Lock Washer
52	237315	5	Cap Screw
53	203028	1	Oil Seal Ring
54	235440	1	Ball Bearing
55	203396	8	Machine Screw
56	236120	1	Ball Bearing
57	231266	1	Ball Bearing Retainer
58	202926	1	Nut
59	231427	1	Key
60	203563	3	Machine Screw
61	237686	12	Lock Washer
62	210897	12	Cap Screw

FLANGE MOUNTING
ENGINE LUBRICATED-WATER COOLED

Orig. Equip. Pc. No.	Remfr. Exch. Pc. No.	Options
275725	276777	276777, 278562, 279162, 282404, 282405, 282406, 283348, 285206
276777	276777	276777, 278562, 279162, 282404
278562	276777	279162, 282404, 282405, 282406, 283348, 285206
279162	276777	276777, 278562, 279162, 283348
279636	279790	—
279790	279790	279636
282404	276777	275725, 278562, 279162, 283348
282405	276777	275725, 278562, 279162, 283348
282406	276777	276777, 278562, 279162, 283348

Orig. Equip. Pc. No.	Remfr. Exch. Pc. No.	Options
283340	283340	—
283348	283348	275725, 276777, 278562, 279162
284180	284252	284253
284252	284252	284180, 284253
284253	284252	284180
285193	285193	—
285206	275725	276777, 278562, 279162, 283348
288989	288989	—
289907	289907	—

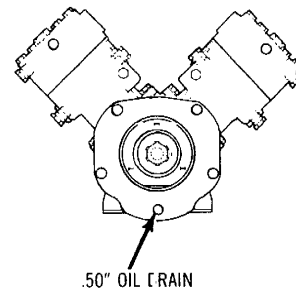
MAINTENANCE KITS
SHOWN ON PAGE 12.

FLANGE TYPE-WATER COOLED

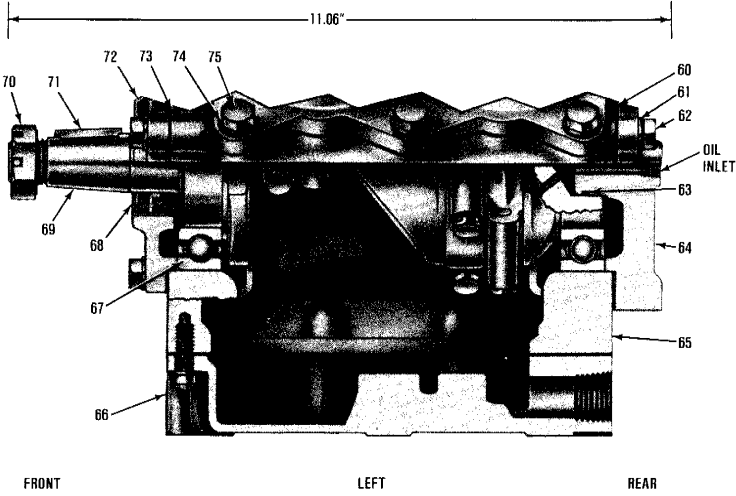
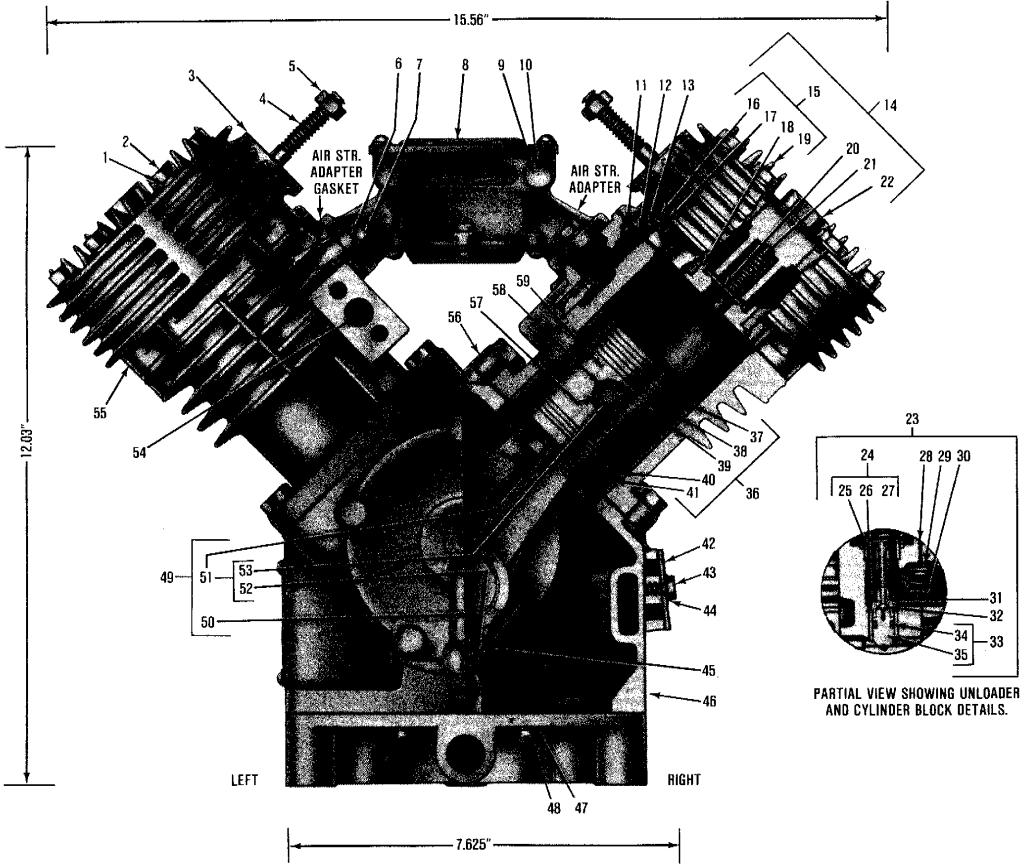
Orig. Equip. Pc. No.	Air Inlet Location	Air Strainer	Air Disch. Location	Air Strainer Gasket	Governor	Governor Location	Water Ports		Oil Inlet Location	Rear End Cover	Crank-case Cover
							Inlet Size	Outlet Size			
275725	MID	226469	MID	239413	—	—	Blk-3/8 All Plugged	Hd-1/2 All Plugged	Center RR	240121	240847
276777	MID	226469	MID	239413	—	—	Blk-3/8 All Plugged	HD-1/2 All Plugged	Center RR	240121	240847
A 278562	MID	226469	MID	239413	277284	Left RR	Blk-3/8 All Plugged	HD-1/2 All Plugged	Center RR	240121	240847
279162	MID	—	MID	—	—	—	Blk-3/8 All Plugged	HD-1/2 All Plugged	Center RR	240121	279691
279636	MID	226469	MID	239413	—	—	Blk-3/8 All Plugged	HD-1/2 All Plugged	Center RR	240121	279691
279790	MID	—	MID	—	—	—	Blk-3/8 All Plugged	HD-1/2 All Plugged	Center RR	240121	279691
282404	MID	—	MID	—	—	—	Blk-3/8 All Open	HD-1/2 All Open	Center RR	240121	240847
282405	MID	—	MID	—	—	—	Blk-3/8 All Open	HD-1/2 All Open	Center RR	240121	240847
282406	MID	—	MID	—	—	—	Blk-3/8 All Open	HD-1/2 All Open	Center RR	240121	240847
AEK 283340	MID	—	MID	—	283349	Left RR	Blk-3/8 RR	HD-1/2 FR	Center RR	240121	240847
AI 283348	MID	226469	MID	239413	279160	Left RR	Blk-3/8 All Plugged	HD-1/2 All Plugged	Center RR	240121	240847
AH 284180	MID	—	MID	—	277284	Left RR	Blk-3/8 All Open	HD-1/2 All Open	Bottom RR	249603	240847
AH 284252	MID	—	MID	—	277284	Left RR	Blk-3/8 All Open	HD-1/2 All Open	Bottom RR	249603	240847
H 284253	MID	—	MID	—	—	—	Blk-3/8 All Open	HD-1/2 All Open	Bottom RR	249603	240847
285193	MID	226469	MID	239413	—	—	Blk-3/8 All Plugged	HD-1/2 All Plugged	Center RR	240121	240847
AFI 285206	MID	—	MID	—	283349	Left RR	Blk-3/8 All Plugged	HD-1/2 All Plugged	Center RR	240121	240847
A 288989	MID	226469	MID	239413	277284	Left RR	Blk-3/8 All Plugged	HD-1/2 All Plugged	Center RR	292315	288990
AH 289907	MID	—	MID	—	277284	Left RR	Blk-3/8 All Open	HD-1/2 All Open	Bottom RR	249603	240847

- A-ADD TWO (2) 240910 CAP SCREW, TWO (2) 237648 L.W., ONE (1) 205539 1/4 TUBING ELBOW, ONE (1) 240032 GOV. TUBE, ONE (1) 224318 1/4 TUBING ELBOW, ONE (1) 236577 GOV. GASKET.
- E-ADD TWO (2) 237461 INLET ELBOW, FOUR (4) 237315 CAP SCREW, FOUR (4) 236170 GASKET, TWO (2) 238948 STR. PLATE.
- F-ADD TWO (2) 277218 INLET FITTING, FOUR (4) 237687 CAP SCREW, TWO (2) 238948 STR. PLATE, FOUR (4) 236170 STR. GASKET.
- H-ADD TWO (2) 240730 CAP SCREW, FOUR (4) 237648 L.W., ONE (1) 245511 INLET COVER, ONE (1) 277218 INLET FITTING, THREE (3) 291909 GASKET, ONE (1) 238948 STR. PLATE, TWO (2) 237687 CAP SCREW.
- I-ADD TWO (2) 204820 GASKET, TWO (2) 213042 DISCHARGE FITTING, TWO (2) 233793 3/16 x 1 1/16 STUD, TWO (2) 203145 NUT.
- K-ADD TWO (2) 233018 DISCHARGE FITTING, TWO (2) 203145 NUT, TWO (2) 230672 STUD, TWO (2) 204820 GASKET.

Orig. Equip. Pc. No.	Cylinder Head Assy.	Cyl. Hd. Body Assy.	Cylinder Head Body	Crank-case	Crank-shaft	Stud Or Cap Screw	Dis-charge Fitting	Air Strainer Adapter	Air Str. Adapter Gasket	Flange Type
275725	283615	283618	247845	240819	240820	230672	—	239414	239413	DDAD 0° TILT
276777	283615	283618	247845	240819	240820	230672	—	239891	231909	DDAD 0° TILT
A 278562	283615	283618	247845	240819	240820	230672	—	239891	239413	DDAD 0° TILT
AI 279162	283615	283618	247845	240819	240820	233798	213042	239414	239413	DDAD 0° TILT
279636	283615	283618	247845	240819	240820	230672	—	239414	239413	DDAD 0° TILT
279790	283615	283618	247845	240819	240820	230672	—	239891	239413	DDAD 0° TILT
282404	283615	283618	247845	240819	240820	—	—	239891	239413	DDAD 0° TILT
282405	283615	283618	247845	240819	240820	—	—	239891	239413	DDAD 0° TILT
282406	283615	283618	247845	240819	240820	—	—	239891	239413	DDAD 0° TILT
AEK 283340	283615	283618	247845	240819	247393	230672	233018	—	—	DDAD 0° TILT
AI 283348	283615	283618	247845	247347	240820	233798	213042	239414	291909	DDAD 0° TILT
AH 284180	283641	283638	247848	240819	248463	—	—	239891	239413	DDAD 0° TILT
AH 284252	283641	283638	247848	240819	248463	—	—	239891	239413	DDAD 0° TILT
H 284253	283641	283638	247848	240819	248463	—	—	239891	291909	DDAD 0° TILT
285193	283615	283618	247845	249360	240820	230672	—	239414	291909	DDAD 6° TILT
AFI 285206	283615	283618	247845	240819	240820	233798	213042	—	236170	DDAD 0° TILT
A 288989	283615	283618	247845	292314	240820	230672	—	239891	291909	DDAD 0° TILT
AH 289907	283641	283638	247848	293065	293057	—	—	239891	231909	CAT 0° TILT



ENGINE LUBRICATED-AIR COOLED



MAINTENANCE KITS SHOWN ON PAGE 12.

Orig. Equip. Pc. No.	Air Inlet Location	Air Discharge Location	Governor	Governor Location	Air Strainer Adapter	Air Str. Adapter Gasket
A 281761	MID	MID	277284	R.R. LEFT	239414	231909
281762	MID	MID	—	—	239414	239413
287233	MID	MID	—	—	239414	231909

A-ADD TWO (2) 240910 CAP SCREW, TWO (2) 237648 L.W., ONE (1) TUBING ELBOW, ONE (1) 242032 GOV. TUBE, ONE (1) 224318 TUBING ELBOW, ONE (1) 236577 GASKET.

ENGINE LUBRICATED-AIR COOLED

No.	Pc. No.	Quan.	Description	No.	Pc. No.	Quan.	Description
1	245825	20	Washer	42	240119	1	Cover Plate
2	237696	20	Cap Screw	43	203117	1	Cap Screw
3	204820	2	Discharge Fitting Gasket	44	202981	1	Lock Washer
4	230672	4	Stud	45	292129	8	Lock Strap
5	203145	4	Nut	46	239411	1	Crankcase Base Gasket
6	237648	4	Lock Washer	47	202981	8	Lock Washer
7	202979	4	Cap Screw	48	203020	8	Machine Screw
8	226469	2	Air Strainer				
9	210106	4	Cap Screw	49	288661	4	CONNECTING ROD COMPLETE
10	237648	4	Lock Washer	50	239409	8	Bearing Insert
11	239395	4	Inlet Valve Guide	51	288660	4	Conn. Rod & Cap Assy.
12	236125	4	Inlet Valve	52	239408	8	Bolt
13	236126	4	Inlet Valve Spring	53	230923	4	Wrist Pin Bushing
14	275017	2	CYLINDER HEAD ASSEMBLY	54	230111	2	Pipe Plug, 1/4"
15	275018	2	Cyl. Hd. Body Assy.	55	238634	2	Cylinder Head Gasket
16	240143	4	Inlet Valve Spring Insert	56	235416	2	Cylinder Block Gasket
17	240142	4	Inlet Valve Spring Seat	57	292392	4	Wrist Pin Button
18	237291	4	Discharge Valve Seat	58	292830	4	Wrist Pin
19	240141	2	Cyl. Head Body	59	292807	4	Piston
20	230935	4	Discharge Valve	60	239402	1	Rear End Cover Gasket
21	210468	4	Discharge Valve Spring	61	237648	10	Lock Washer
22	236215	4	Discharge Valve Cap Nut	62	237315	10	Cap Screw
23	228239	2	CYLINDER BLOCK ASSEMBLY	63	203028	1	Oil Seal Ring
24	228240	2	Cyl. Block Body Assy.	64	240121	1	Rear End Cover
25	236118	4	Inlet Valve Seat	65	240118	1	Crankcase
26	238586	4	Bushing	66	240122	1	Crankcase Base
27	238630	2	Cyl. Head Body	67	235440	2	Ball Bearing
28	238491	2	Unloader Spring Seat	68	212135	1	Oil Seal
29	239972	2	Unloader Spring	69	240120	1	Crankshaft
30	240024	2	Unloader Spring Saddle	70	202926	1	Nut
31	240022	4	Unloader Plunger Guide	71	211347	1	Key
32	240023	4	Unloader Plunger	72	239405	1	Front End Cover
33	229875	4	Unloader Piston Assy.	73	239404	1	Front End Cover Gasket
34	238144	4	Back-up Ring	74	237686	12	Lock Washer
34	238143	4	Grommet	75	210897	12	Cap Screw
35	240018	4	Unloader Piston				
36	288646	2	PISTON RING SET				
37	234811	4	Piston Ring				
38	234811	4	Piston Ring				
39	281893	4	Piston Ring				
40	234811	4	Piston Ring				
41	281893	4	Piston Ring				

REMANUFACTURED EXCHANGE SELECTIONS
ENGINE LUBRICATED-AIR COOLED

Orig. Equip. Pc. No.	Remfr. Exch. Pc. No.	Options
281761	281761	281762
281762	281761	—
287233	287233	—

The Tu-Flo 1000 Compressor is an engine driven, four cylinder, reciprocating type compressor with a displacement of 24 cu. ft. per min. at 1250 RPM.

It is available as vertical mount-air cooled-self lubricated, vertical mount-water cooled, self lubricated, vertical mount-water cooled-engine lubricated and flange mount-water cooled-engine lubricated. It is available in belt drive and direct drive single flange mount configurations.

OPERATING LIMITATIONS: Maximum crankshaft speed with air cooling- 2400 RPM
 Maximum crankshaft speed with water cooling- 3000 RPM
 Maximum discharge temperature- 400°F.

FOR MAINTENANCE & INSTALLATION SEE SD-01-2 MAINTENANCE PAMPHLET

Original Equipment Piece Numbers (New) are furnished with external fittings such as Air Strainers, Inlet Fittings, Discharge Fittings, Governors, Gov. Brackets, Tubing, Tubing Fittings Etc.

Remanufactured Compressors do not carry any external fittings as described above. The worn unit being exchanged must have the external fittings removed by the customer, to be reinstalled on the remanufactured unit.

**MAINTENANCE KITS FOR TF-1000 COMPR.
 TWO (2) KITS PER COMPR. ARE REQ'D.**

**UNLOADER FIELD MAINTENANCE KIT
 PC. NO. 279615 CONSISTS OF THE FOLLOWING:**

Quan.	Pc. No.	Description
2	229875	Unloader Piston Complete (Pre-lubricated)
2	240023	Unloader Plunger
2	240022	Plunger Guide
1	240024	Unloader Spring Saddle
1	238491	Unloader Spring Seat
1	239972	Unloader Spring
1	243430	Strainer Gasket

**TU-FLO 500 MAINTENANCE KIT PC NO. 229417
 CONSISTS OF THE FOLLOWING:**

Quan.	Pc. No.	Description
1	279615	Unloader Kit
2	239395	Inlet Valve Guide
2	236125	Inlet Valve
2	236126	Inlet Valve Spring
1	238634	Cyl. Hd. Gasket (Water Cooled)
1	238633	Cyl. Hd. Gasket (Air Cooled)
2	230935	Discharge Valve
2	210468	Discharge Valve Spring
1	204820	Cyl. Hd. Fitting Gasket
1	239292	Filter Element
1	236577	Governor Gasket

FIELD MAINTENANCE KITS & SERVICE PARTS LISTING

Description	Pc. No.
Field Maintenance Kit	229417*
Unloader Kit	229615*
Piston Ring Set (Std.)	288646
Piston Ring Set (.010 OS)	288647
Piston Ring Set (.020 OS)	288648
Piston Ring Set (.030 OS)	288649
Piston & Wrist Pin Set (Std.)	289928
Piston & Wrist Pin Set (.010 OS)	289929
Piston & Wrist Pin Set (.020 OS)	289930
Piston & Wrist Pin Set (.030 OS)	289931
**Nodular Iron Conn. Rods w/o Inserts	289029
Conn. Rod Insert Kits (Std.)	282751
Each Kit Contains	2-239409
Conn. Rod Insert Kits (.010 OS)	282752
Each Kit Contains	2-240619
Conn. Rod Insert Kits (.020 OS)	282753
Each Kit Contains	2-240620
Conn. Rod Insert Kits (.030 OS)	282754
Each Kit Contains	2-240621

*Two (2) Required.

Note: Insert Kits are Packaged Ten (10) Per Carton.

Order In Lots of Ten (10) to Facilitate Handling.

**Supersedes Alum. Rod w/o Insert Pc. No. 279694.

Nodular Iron and Aluminum Conn. Rods cannot be mixed & used together. **All four (4) must be the same material.**