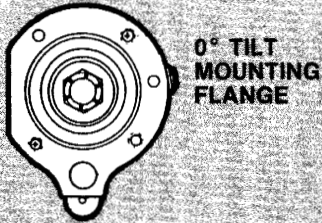


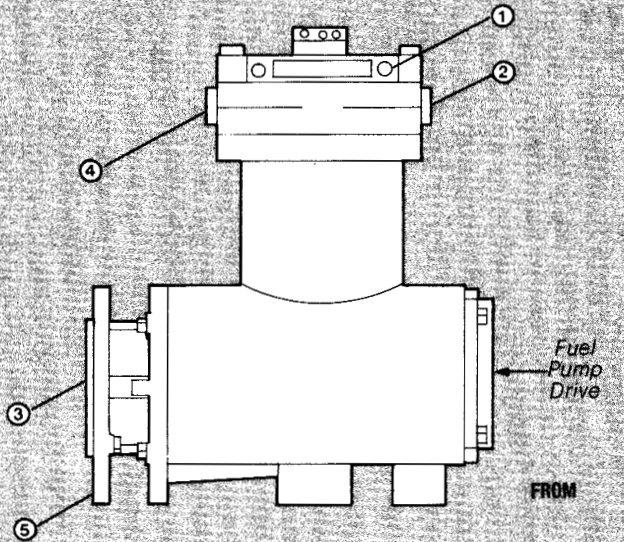
# CATALOG 01-CM-2 COMPRESSOR CHANGEOVER

# CUMMINS SINGLE CYLINDER TO BENDIX

## CUMMINS



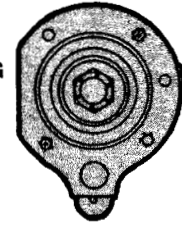
0° TILT MOUNTING FLANGE



Cummins Single Cylinder Compressor

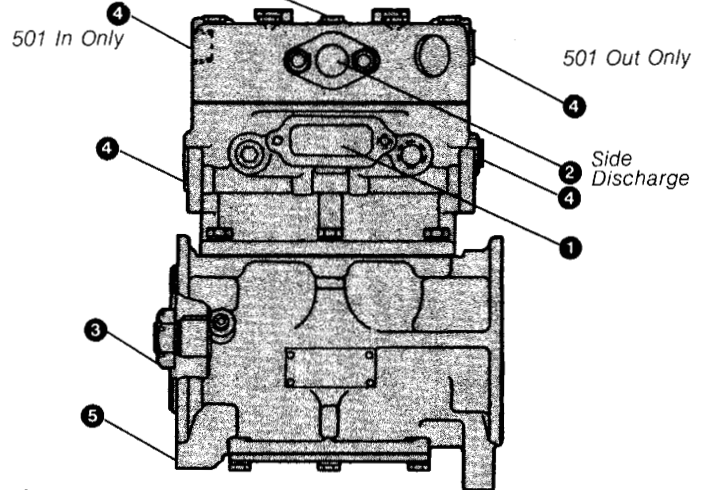
## CUMMINS FLANGE MOUNT

## 0° TILT MOUNTING FLANGE



## BENDIX

1/2" NPT for Top Discharge Compressors



TO

COMPRESSOR MODEL	TOP DISCHARGE		SIDE DISCHARGE	
	COMPRESSOR	HARDWARE KIT	COMPRESSOR	HARDWARE KIT
TF-501	286555	260689	286554	260690
TF-500	284718	260691	284699	260692
*TF-550	107506		107506	
TF-700	289339		289339	
*TF-750	107507		107507	

## CHANGEOVER DETAILS AND SPECIFICATIONS

### CUMMINS SINGLE CYLINDER

- Inlet** Flange type - unique to Cummins located on side of cylinder head.
- Discharge** Single female 1/2" NPT port located on side of cylinder head.
- Drive** Pressed on male gear and tubular splined coupling on drive end of crankshaft.
- Cooling** Two female 3/8" NPT ports located on side of head next to each other. Coolant lines 1/2" OD metal tubing or 1/2" I.D. hose.
- Mounting** Flange mounted to engine and fuel pump.
- Oil Supply** Mounting flange on the drive end.

### BENDIX TU-FLO SERIES

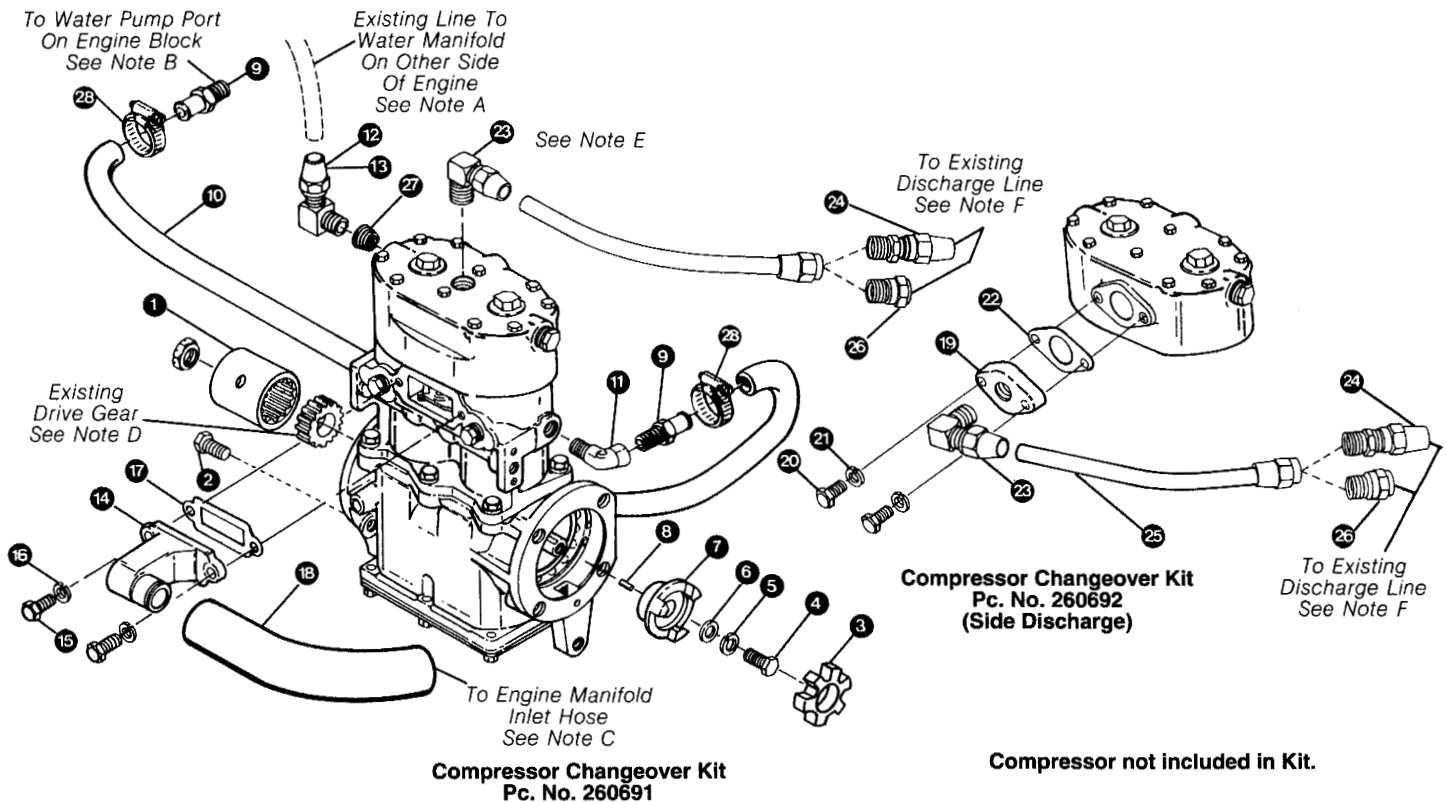
- Inlet** Flange type - located in cylinder block - inlet fitting provided in changeover kits.
- Discharge** Single female 1/2" NPT port located in top center of cylinder head for top discharge compressors. Single flanged port located on side of cylinder head for side discharge compressors.
- Drive** Drive gear may be reused on any compressor. The drive couplings for the TF-500, -550, -700, -750 are interchangeable with each other but are not interchangeable with the Cummins or TF-501 couplings.  
 TF-501: Integral machined fuel pump drive and same spider as Cummins.  
 TF-500: Requires installation of the drive body on crankshaft. All drive components except the drive gear are included in the changeover kit. Drive gears, may be purchased separately from Cummins if existing gear can not be removed.
- Cooling** Both 1/2" and 3/8" NPT female ports in head and block connection of lines and direction of flow differs from Cummins. The changeover kit includes the necessary hose to lengthen lines as needed.
- Mounting** Same
- Oil Supply** Same

\*Changeover to this compressor model may require reducer bushings for the water ports.

# CUMMINS SINGLE CYLINDER TO BENDIX TU-FLO 500, 550, 700 & 750

# COMPRESSOR CHANGEOVER

# CATALOG 01-CM-3



## CHANGEOVER INFORMATION

- A. If existing water line is 1/2" tubing, install item 12 or 13 and cut tubing to fit. If line is hose, connect directly to head and discard items 12 and 13.
- B. Remove existing water line and fitting from engine and install item 9 in engine.
- C. Use existing clamps to secure items 14 and 18.
- D. Remove the existing drive gear and inspect gear for presence of a keyway groove. If the gear incorporates a keyway it can be reinstalled on the compressor. If no keyway is present drive gear with keyway must be purchased from Cummins. Drive gear retention is dependent on the keyway.
- E. See proper figure. Above to install items 19-23 (side discharge) or item 23 (Top discharge).
- F. If existing discharge line is 5/8 tubing install items 24 and 25, cut existing discharge line as necessary and discard item 26. If existing discharge line is flexible hose use the shortest possible length of item 25, install item 26 and discard item 24.

## CHANGEOVER KITS 260691 AND 260692

### CHANGEOVER KITS 260691 AND 260692 CONSIST OF THE FOLLOWING AS INDICATED:

KEY NO.	DESCRIPTION	QUANTITY IN KIT 260691	QUANTITY IN KIT 260692	KEY NO.	DESCRIPTION	QUANTITY IN KIT 260691	QUANTITY IN KIT 260692
1	Drive Coupling	1	1	16	Lockwasher	2	2
2	7/16" - 14 x 1" Cap Screw	2	2	17	Gasket	1	1
3	Spider Coupling	1	1	18	1" I.D. x 18" in Length High Temp. Hose	1	1
4	3/8" - 24 x 3/4" Cap Screw	1	1	19	Discharge Adapter	—	1
5	Lockwasher	1	1	20	5/16" - 18 x 1" Cap Screw	—	2
6	Flat Washer	1	1	21	Lockwasher	—	2
7	Spider Coupling Body	1	1	22	Gasket	—	1
8	Key	1	1	23	1/2" P.T. x 5/8" Tubing Elbow	1	1
9	3/8" P.T. Push on Ftg. for 1/2" Hose	2	2	24	5/8" Tubing Union	1	1
10	1/2" I.D. x 3' Length Heater Hose	1	1	25	5/8" x 12" Long Copper Tubing	1	1
11	3/8" P.T. Street Elbow	1	1	26	5/8" Tubing x 1/2 Female P.T. Body	1	1
12	1/2" P.T. x 1/2" Tubing Elbow Body	1	1	27	3/8" P.T. x 5/8" P.T. Face Bushing	1	1
13	3/8 P.T. x 1/2" Tubing Elbow	1	1	28	Hose Clamp	2	2
14	Inlet Adapter	1	1				
15	5/16" x 3/4" Cap Screw	2	2				

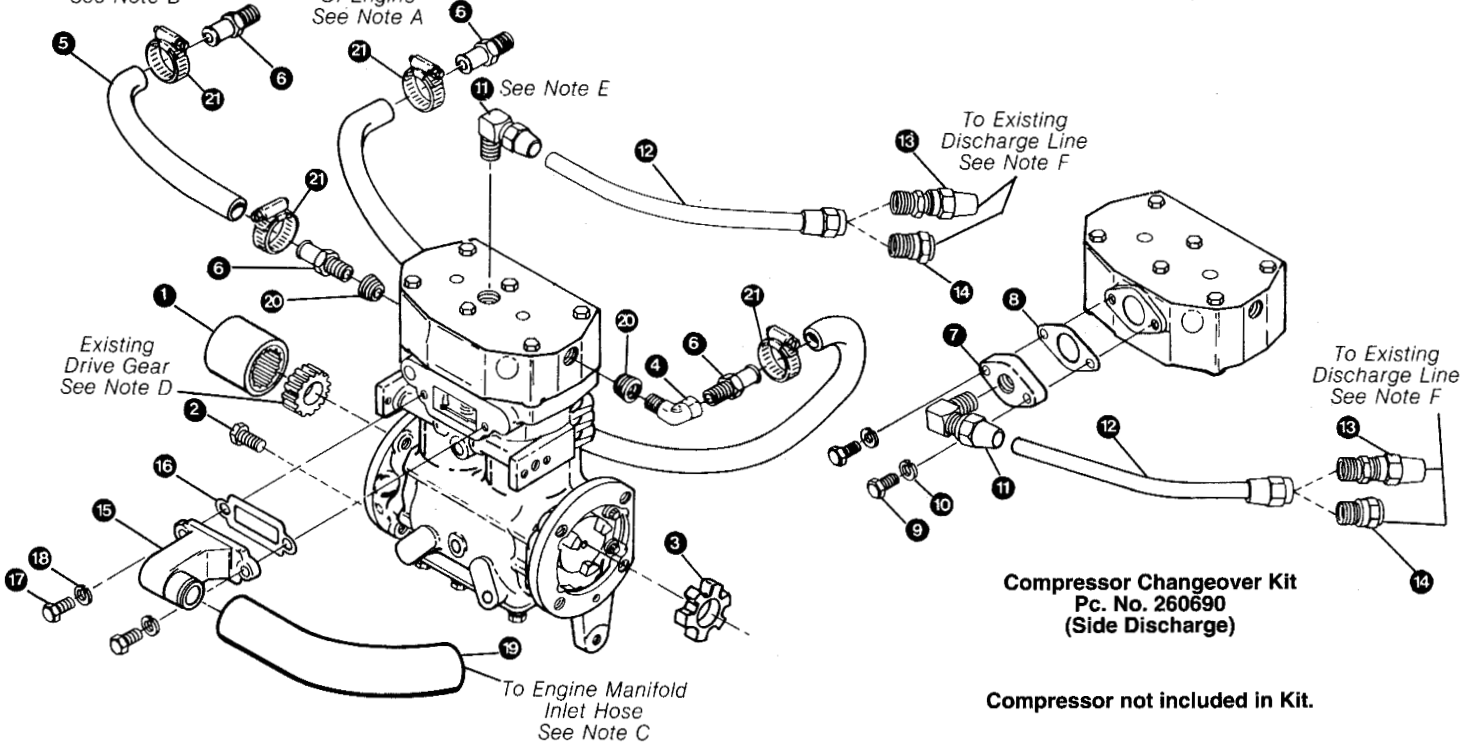
# CATALOG 01-CM-4

# COMPRESSOR CHANGEOVER

# CUMMINS SINGLE CYLINDER TO BENDIX TU-FLO 501

To Water Pump Port  
On Engine Block  
See Note B

To Water Manifold  
On Other Side  
Of Engine  
See Note A



**Compressor Changeover Hardware Kit**  
Pc. No. 260689

**Compressor Changeover Kit**  
Pc. No. 260690  
(Side Discharge)

Compressor not included in Kit.

## CHANGEOVER INFORMATION

- A. Remove existing water line and fitting and install item 6 in water return manifold.
- B. Remove existing water line and fitting and install item 6 in engine.
- C. Use existing hose clamps to secure items 15 and 19.
- D. Remove the existing drive gear and inspect on TF-501. If unable to remove, a drive gear must be purchased from Cummins. Gear Retention is accomplished by a press drive fit therefore gears with or without a keyway may be used.
- E. See proper figure. Above to install items 7-11 (side discharge) or item 11 (Top discharge).
- F. If existing discharge line is 5/8" tubing install items 12 and 13, cut existing discharge line as necessary and discard item 14. If existing discharge line is flexible hose use the shortest possible length of item 12 and 14 and discard item 13.

## CHANGEOVER KITS 260689 AND 260690

### CHANGEOVER KITS 260689 AND 260690 CONSIST OF THE FOLLOWING AS INDICATED:

KEY NO.	DESCRIPTION	QUANTITY IN KIT 260689	QUANTITY IN KIT 260690	KEY NO.	DESCRIPTION	QUANTITY IN KIT 260689	QUANTITY IN KIT 260690
1	Drive Coupling	1	1	12	5/8" x 12" Long Copper Tubing	1	1
2	7/16" - 14 x 1" Cap Screw	2	2	13	5/8 Tubing Union	1	1
3	Spider Coupling	1	1	14	5/8" Tubing x 1/2 P.T. Body	1	1
4	3/8" P.T. Street Elbow	1	1	15	Inlet Adapter	1	1
5	1/2" I.D. x 5' Length Heater Hose	1	1	16	Gasket	1	1
6	3/8" P.T. Push on Ftg. for 1/2" I.D. Hose	4	4	17	5/16" - 18 x 3/4" Cap Screw	2	2
7	Discharge Adapter	—	1	18	Lockwasher	2	2
8	Gasket	—	1	19	1" I.D. x 18" Long High Temp. Hose	1	1
9	5/16" - 18 x 1" Cap Screw	—	2	20	3/8" P.T. x 1/2" P.T. Face Bushing	2	2
10	Lockwasher	—	2	21	Hose Clamp	4	4
11	1/2" P.T. x 5/8" Tubing Elbow	1	1				