

# Roadranger®

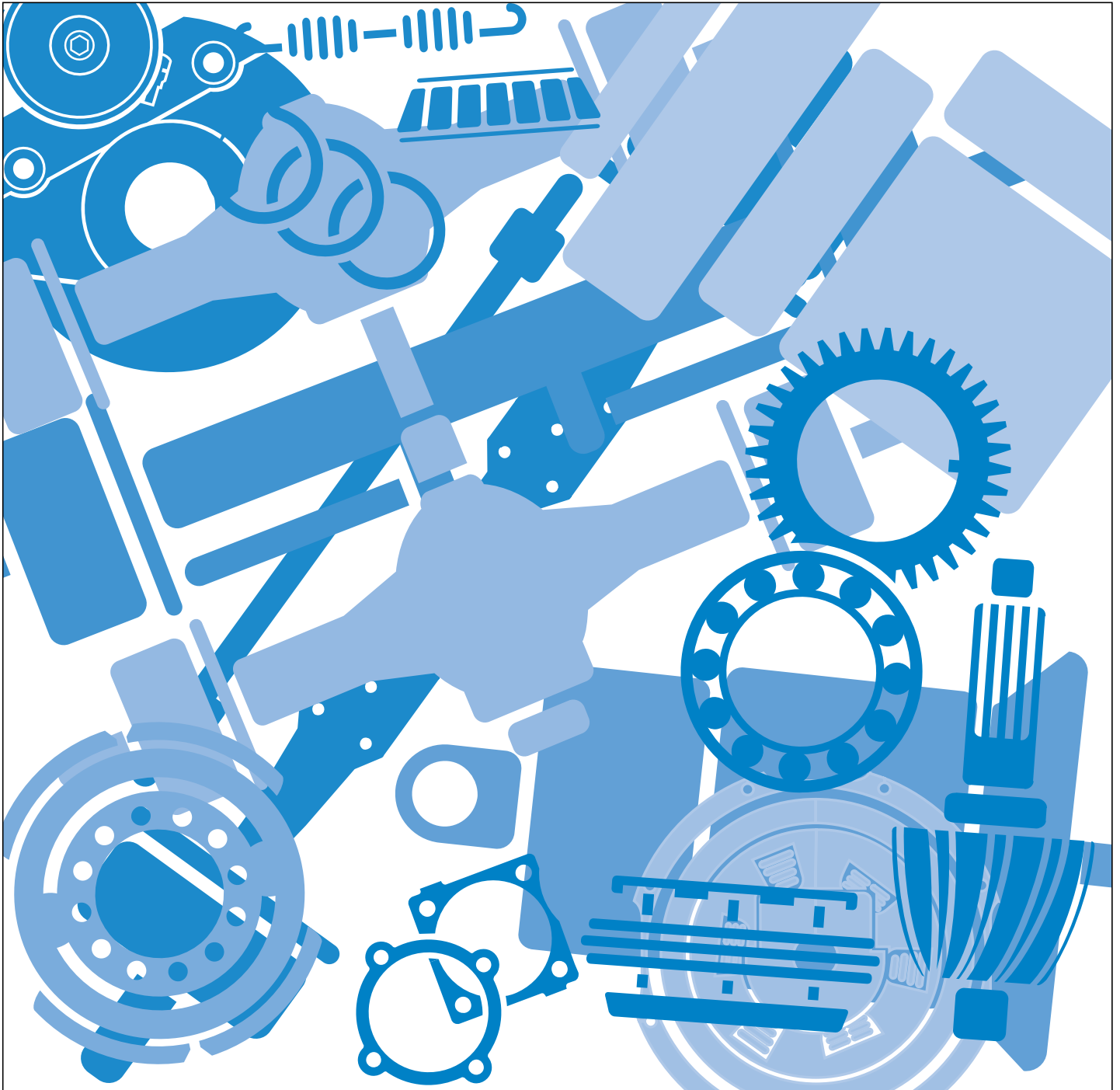
Dana® Spicer® Brakes

15" Series S-Cam



One Great Drivetrain from Two Great Companies

Illustrated Parts List BRIP-8904 August 1990



For the most current information, visit the Roadranger web site at [www.roadranger.com](http://www.roadranger.com)

# CONTENTS

## PAGE

Brake Components .....	2
Dust Shield Kit .....	3
Spring Kit .....	3
Seal Kit .....	3
Minor Overhaul Kit .....	3
Major Overhaul Kit .....	3
Relining Kit .....	3
Shoe and Lining Assembly .....	4
Camshaft Bracket Assembly .....	4
Spiders .....	5
Camshafts .....	5

**SPICER®**



---

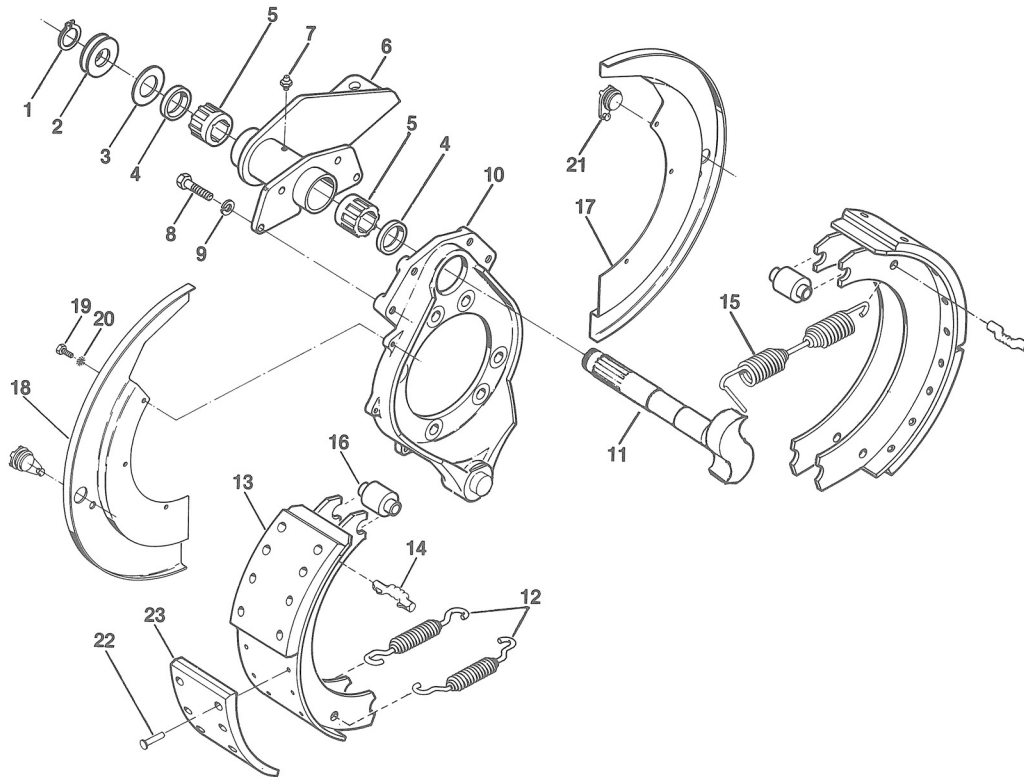
## SPICER SERVICE PARTS

Spicer Brake Service Parts for heavy truck installations are manufactured under the same rigid specifications as are original equipment brake components. This assures the end user who uses genuine Spicer Service Parts maximum reliability for his Spicer Brake assembly.

Should a brake assembly require component parts replacement, it is recommended that "Original Equipment" replacement parts be used. They may be obtained through your original equipment manufacturer dealer. The use of non-original equipment replacement parts is not recommended as their use may cause unit failure and or affect vehicle safety and warranty.

# Brake Components

# 15" × 4" Brakes



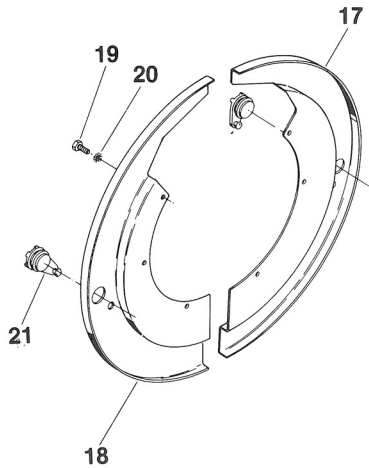
ITEM	DESCRIPTION	SPICER PART NO.	QTY.	REMARKS
1	Retaining Ring	150HR101	1	
2	Camshaft Adjusting Washer	150HS101-1 150HS101-2	As Req'd.	.031 Thick .062 Thick
3	Steel Spacer	150HS100	1	.1196 Thick
4	Grease Seal	N.S.S.	2	Kit ★
5	Camshaft Bushing	N.S.S.	2	Kit ★
6	Camshaft Bracket	Varies	1	See Page 4 Camshaft Brk't Ass'y.
7	Grease Fitting	500168-2	1	
8	Bracket Mounting Bolt	070HM120-2	4	
9	Lockwasher	500357-13	4	
10	Spider Sub-Assembly	Varies	1	See Page 5
11	Camshaft	Varies	1	See Page 5
12	Shoe Retainer Spring	N.S.S.	2	Kit ◇, ● □
13	Shoe and Lining Assembly	Varies	2	See Page 4, Kit □
14	Return Spring Pin	N.S.S.	2	Kit ◇, ● □
15	Shoe Return Spring	N.S.S.	1	Kit ◇, ●, □
16	Cam Roller	N.S.S.	2	Kit ●, □
17	Dust Shield (Half)		1	
18	Dust Shield (Half)		1	
19	Dust Shield Mounting Bolt	N.S.S.	6	Kit ■
20	Lockwasher		6	
21	Rubber Plug		2	
22	Brake Lining Rivet	N.S.S.	32	Kit ◇
23	Lining	Varies	4	Kit ◇

N.S.S. = Not Serviced Separately

# Kits

# 15" x 4" Brakes

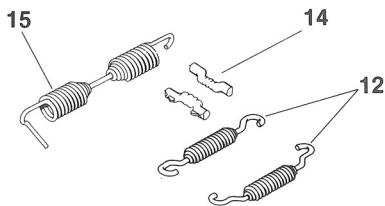
## Dust Shield Kit ■



DUST SHIELD KIT PART NO.	KIT INCLUDES ITEMS
150KB102X	17, 18, 19, 20, 21

NOTE: Kit contains enough parts to service 1 Brake Assembly

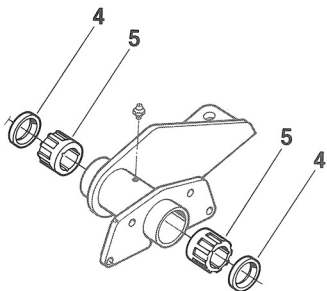
## Spring Kit ◆



SPRING KIT PART NO.	KIT INCLUDES ITEMS
150KB101X	12, 14, 15

NOTE: Kit contains enough parts to service 1 Brake Assembly

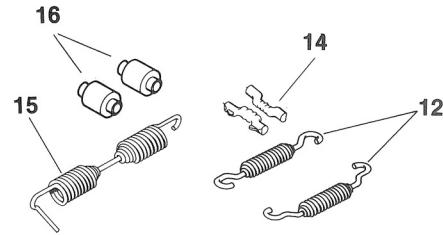
## Seal Kit ★



SEAL KIT PART NO.	KIT INCLUDES ITEMS
150KB100X	4, 5

NOTE: Kit contains enough parts to service 1 Brake Assembly

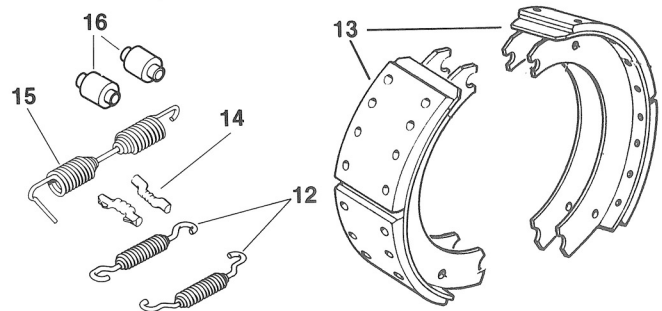
## Minor Overhaul Kit ●



MINOR OVERHAUL KIT PART NO.	KIT INCLUDES ITEMS
150KB106X	12, 14, 15, 16

NOTE: Kit contains enough parts to service 1 Brake Assembly.

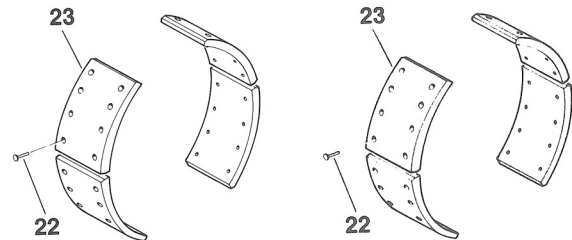
## Major Overhaul Kit □



MAJOR OVERHAUL KIT PART NO.	LINING MATERIAL	KIT INCLUDES ITEMS
150KB107X	Carlisle MME-145A	12, 13, 14, 15, 16
150KB108X	ABEX 3030-67	
150KB109X	ABEX 931-162	

NOTE: Kit contains enough parts to service 1 Brake Assembly.

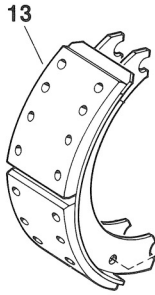
## Relining Kit ◆



RELINING KIT PART NO.	LINING MATERIAL	KIT INCLUDES ITEMS
150KB103X	Carlisle MME-145A	22, 23
150KB104X	ABEX 3030-67	
150KB105X	ABEX 931-162	

NOTE: Kit contains enough parts to service 2 Brake Assemblies. (1) Axle

## Shoe And Lining Assembly

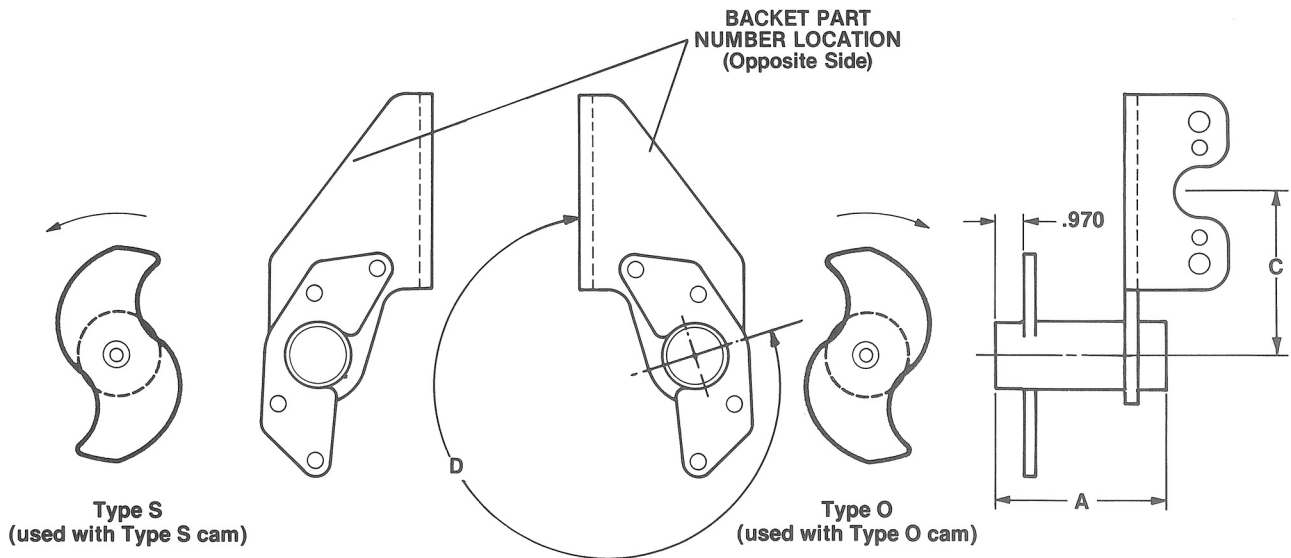


SHOE AND LINING ASSEMBLY PART NO.	LINING MATERIAL
150WN101-1X	Carlisle MME-145A
150WN101-2X	ABEX 3030-67
150WN101-3X	ABEX 931-162
150WN103-1X	Carlisle MME-145A
150WN103-2X	ABEX 3030-67
150WN103-3X	ABEX 931-162

**SOLD IN QUANTITIES OF (2) ONLY**

**NOTE: All Shoe and Lining assemblies are sold ready to install.**

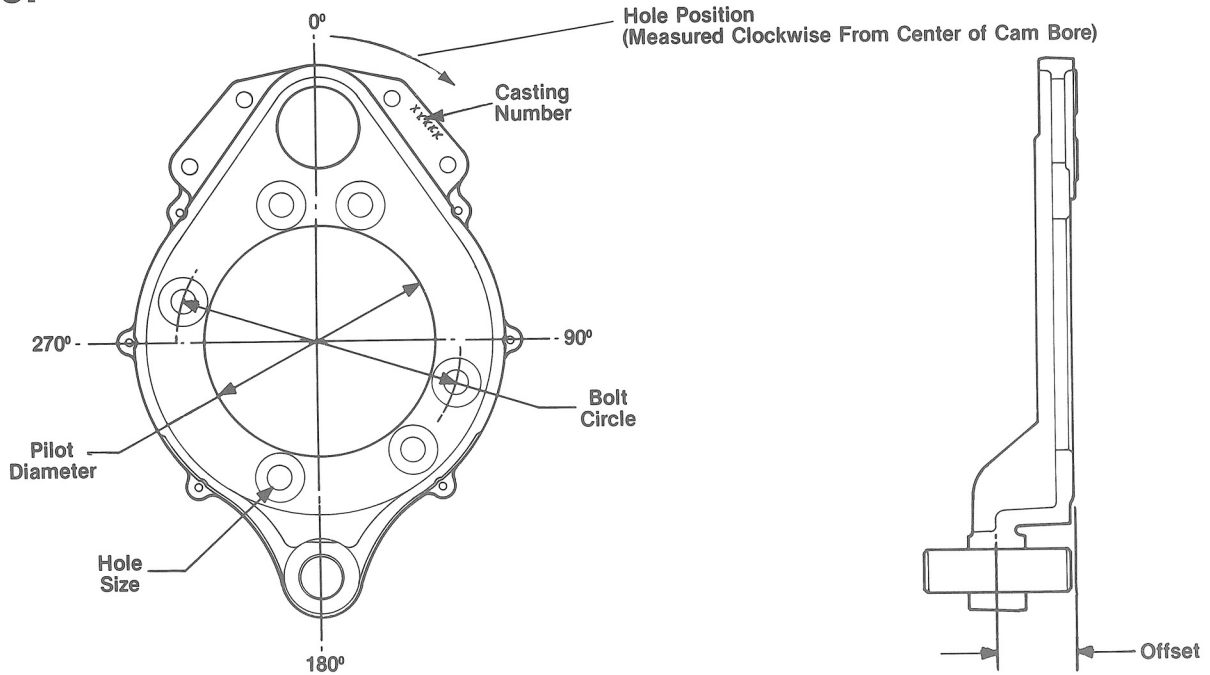
## Camshaft Bracket Assembly



CAMSHAFT BRACKET ASSEMBLY PART NO.	BARREL LENGTH A	BRACKET INDEX ANGLE B	SLACK ADJUSTER LENGTH C	BRACKET TYPE
150WH109-1X	5.64	288°	5.50	S
150WH110-1X	5.64	288°	5.50	O
150WH109-5X	5.84	311°	5.50	S
150WH110-5X	5.84	311°	5.50	O
150WH109-3X	5.84	311°	5.50	S
150WH110-3X	5.84	311°	5.50	O
150WH110-4X	6.46	311°	5.50	S
150WH109-4X	6.46	311°	5.50	O
150WH109-2X	7.24	20°	5.50	S
150WH110-2X	7.24	20°	5.50	O

**NOTE: All Brackets are sold ready to install. Assembly includes Items (4) seal and (5) bushing. The bracket part number can be located as shown in the above illustration. If a part number is not legible, determine brake assembly part number or gather the dimensional information as shown in the chart above and contact Spicer for ordering assistance.**

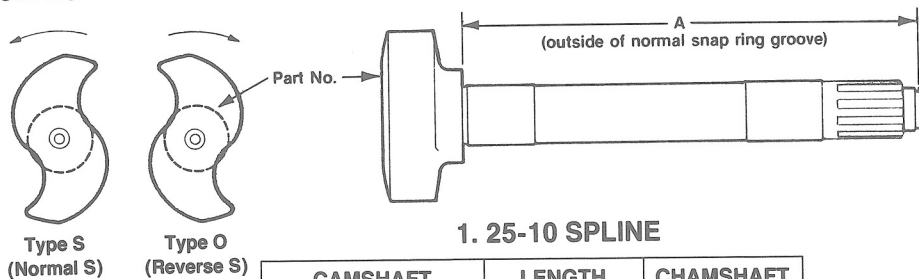
## Spider



SPIDER SUB-ASSEMBLY PART NO.	BRAKE OFFSET (IN)	PILOT DIA. (IN)	BOLT CIRCLE (IN)	HOLE DIA.	NO. OF MTG. HOLES	MOUNTING HOLE CLOCKING POSITIONS (DEGREES)	CASTING NO.
150WS125X	1.50	5.504	7.250	.656	8	13°, 113°, 139°, 167°, 193°, 293°, 319°, 347°	150WS111
150WS126X	1.50	5.504	7.250	.656	8	13°, 41°, 67°, 167°, 193°, 221°, 247°, 347°	150WS111
150WS121X	2.00	6.005	7.375	.656	6	17°, 107°, 139.5°, 197°, 287°, 344.5°	150WS115
150WS122X	2.00	6.005	7.375	.656	6	15.5°, 73°, 163°, 220.5°, 253°, 343°	150WS115
150WS123X	2.00	6.005	7.375	.656	6	45°, 77.5°, 135°, 225°, 282.5°, 315°	150WS115

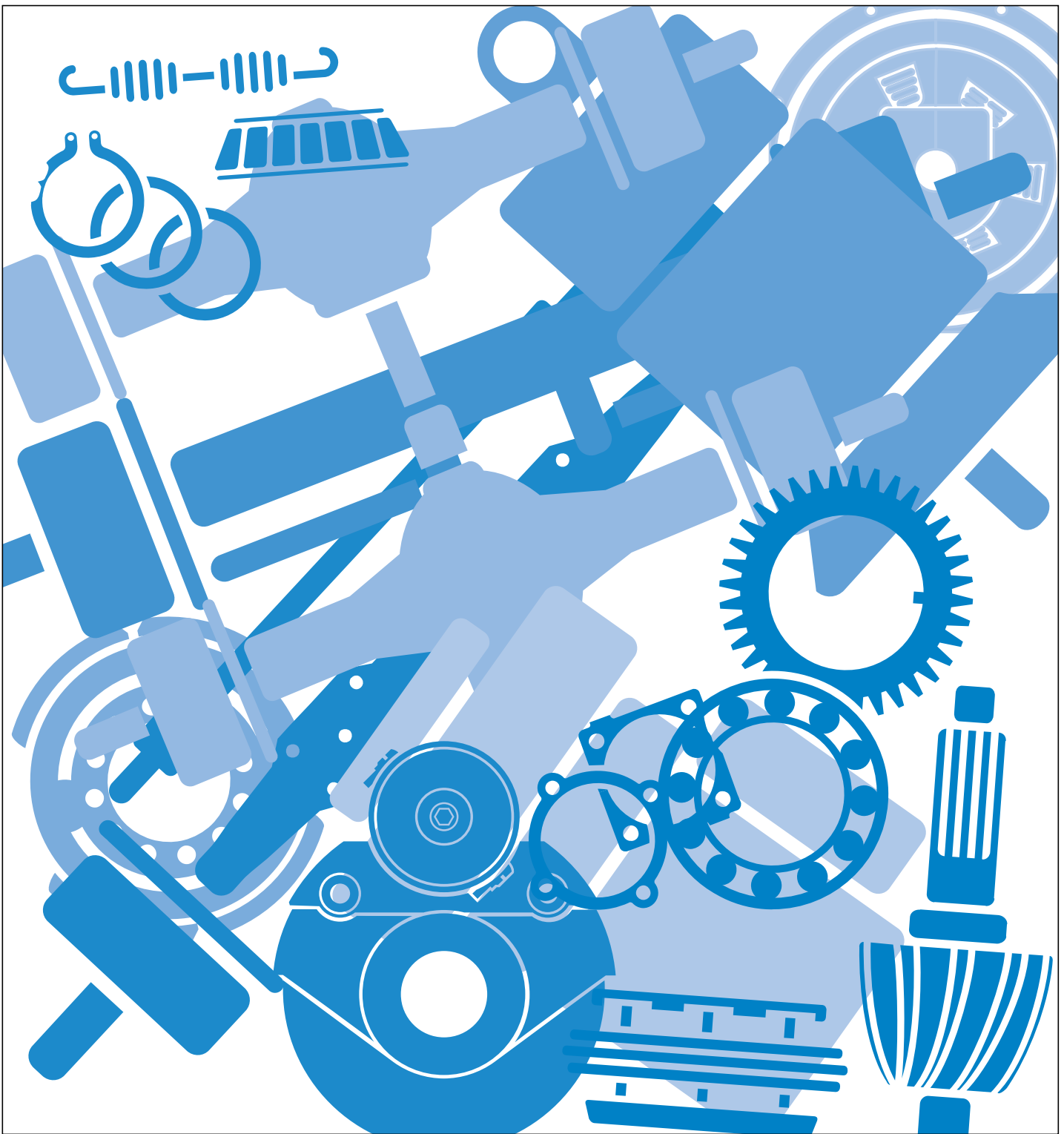
NOTE: All Spider Sub-Assemblies are sold ready to install. Assembly includes Spider and Anchor Pin.

## Camshafts



CAMSHAFT PART NO.	LENGTH "A"	CAMSHAFT TYPE
150WK102-1	8.04	S
150WK103-1	8.04	O
150WK102-5	8.24	S
150WK103-5	8.24	O
150WK102-4	8.74	S
150WK103-4	8.74	O
150WK102-6	8.86	S
150WK103-6	8.86	O
150WK102-3	9.36	S
150WK103-3	9.36	O
150WK102-2	9.60	S
150WK102-3	9.60	O





Copyright Eaton and Dana Corporation, 2002. EATON AND DANA CORPORATION hereby grants its customers, vendors, or distributors permission to freely copy, reproduce and/or distribute this document in printed format. THIS INFORMATION IS NOT INTENDED FOR SALE OR RE-SALE, AND THIS NOTICE MUST REMAIN ON ALL COPIES.



National Institute for  
**AUTOMOTIVE  
SERVICE  
EXCELLENCE**

## Roadranger®

**MORE TIME ON THE ROAD**

The Roadranger® System is an unbeatable combination of the best products from Eaton and Dana – partnering to provide you the most advanced, most trouble-free drivetrain in the industry. And it's backed by the Roadrangers – the most experienced, most expert, most accessible drivetrain consultants in the business.

For spec'ing or service assistance, call 1-800-826-HELP (4357) 24 hours a day, 7 days a week, (Mexico: 001-800-826-HELP (4357)) for more time on the road. Or visit our web site at [www.roadranger.com](http://www.roadranger.com).



**EAT•N**

One Great Drivetrain from Two Great Companies

BRIP-8904  
11/03 PDF  
Printed in USA