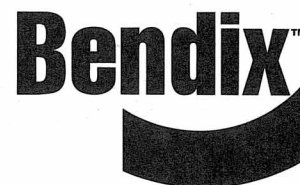
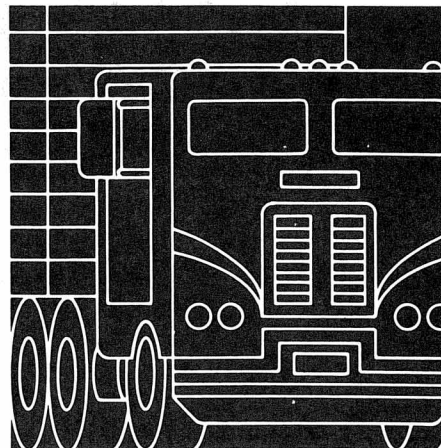
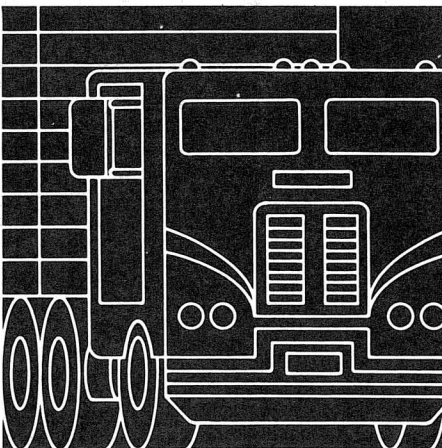
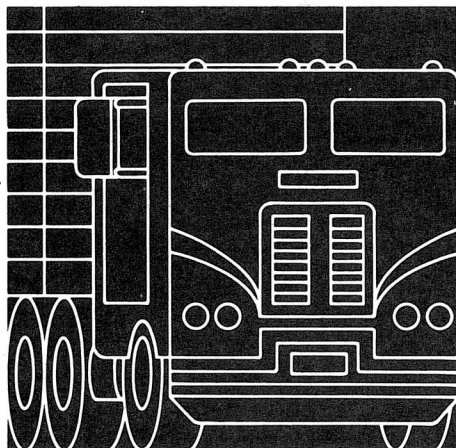
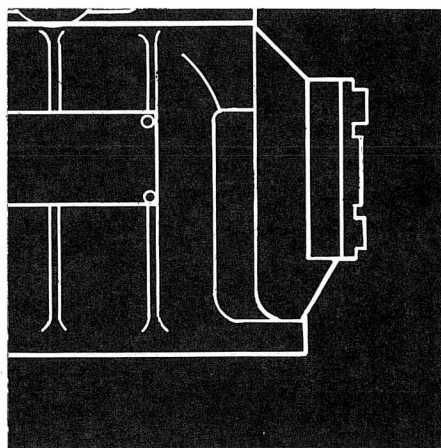
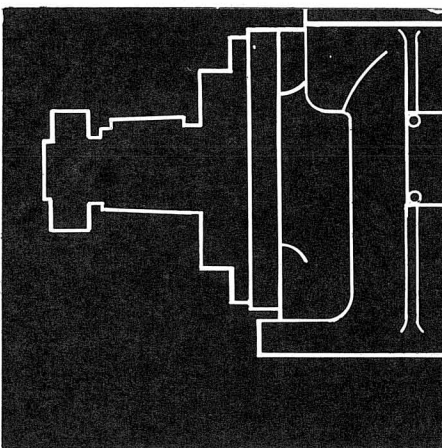
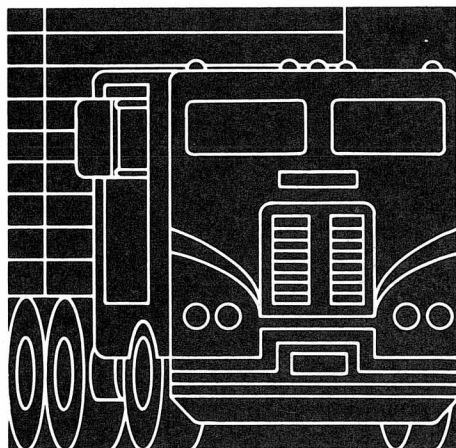
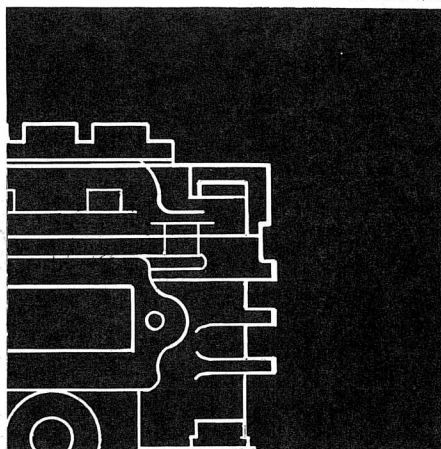
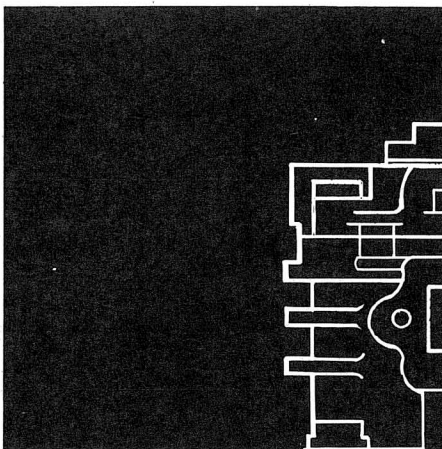
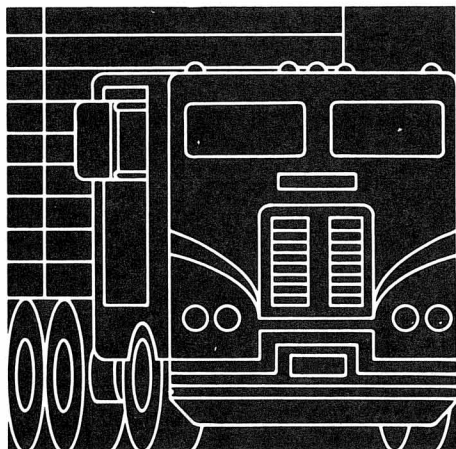


# Tu-Flo 300 Compressor

Service Parts  
Remanufactured Exchange  
Catalog 01-B-01

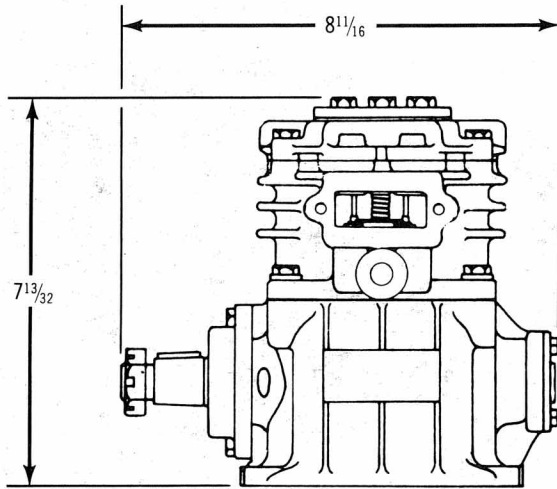
Revised 6/83



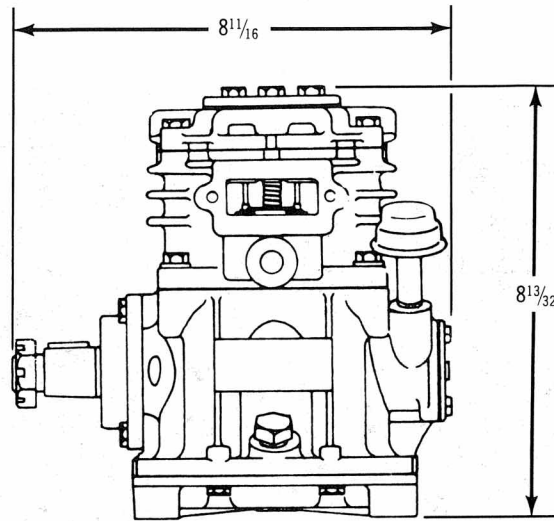
# TU-FLO 300 COMPRESSORS

The Tu-Flo 300 Compressor is an engine driven, two cylinder, reciprocating type compressor with a displacement of 4 cu. ft. min. at 1250 R.P.M.

It is available in engine or self lubricated configurations. It employs both an air cooled cylinder head and cylinder block and is available in belt drive only.

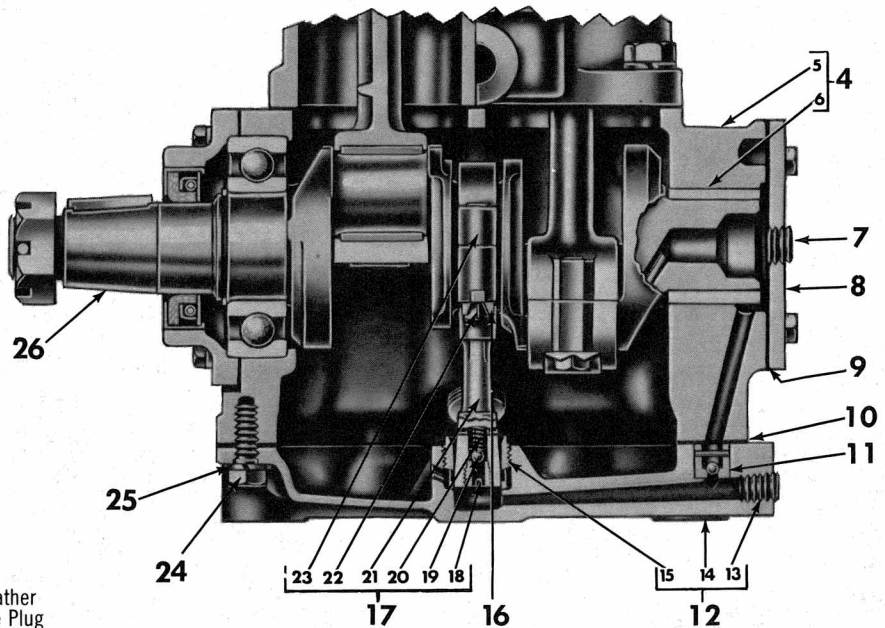
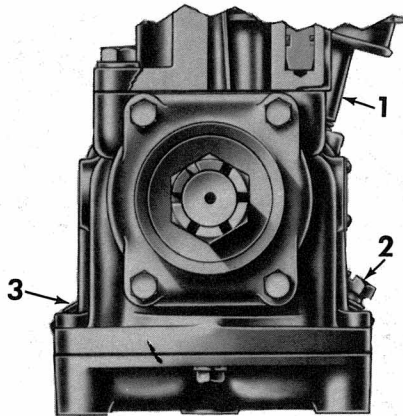


ENGINE LUBRICATED



SELF LUBRICATED

The Crankcase parts listed below are standard on self lubricated TF-300 Compressors.

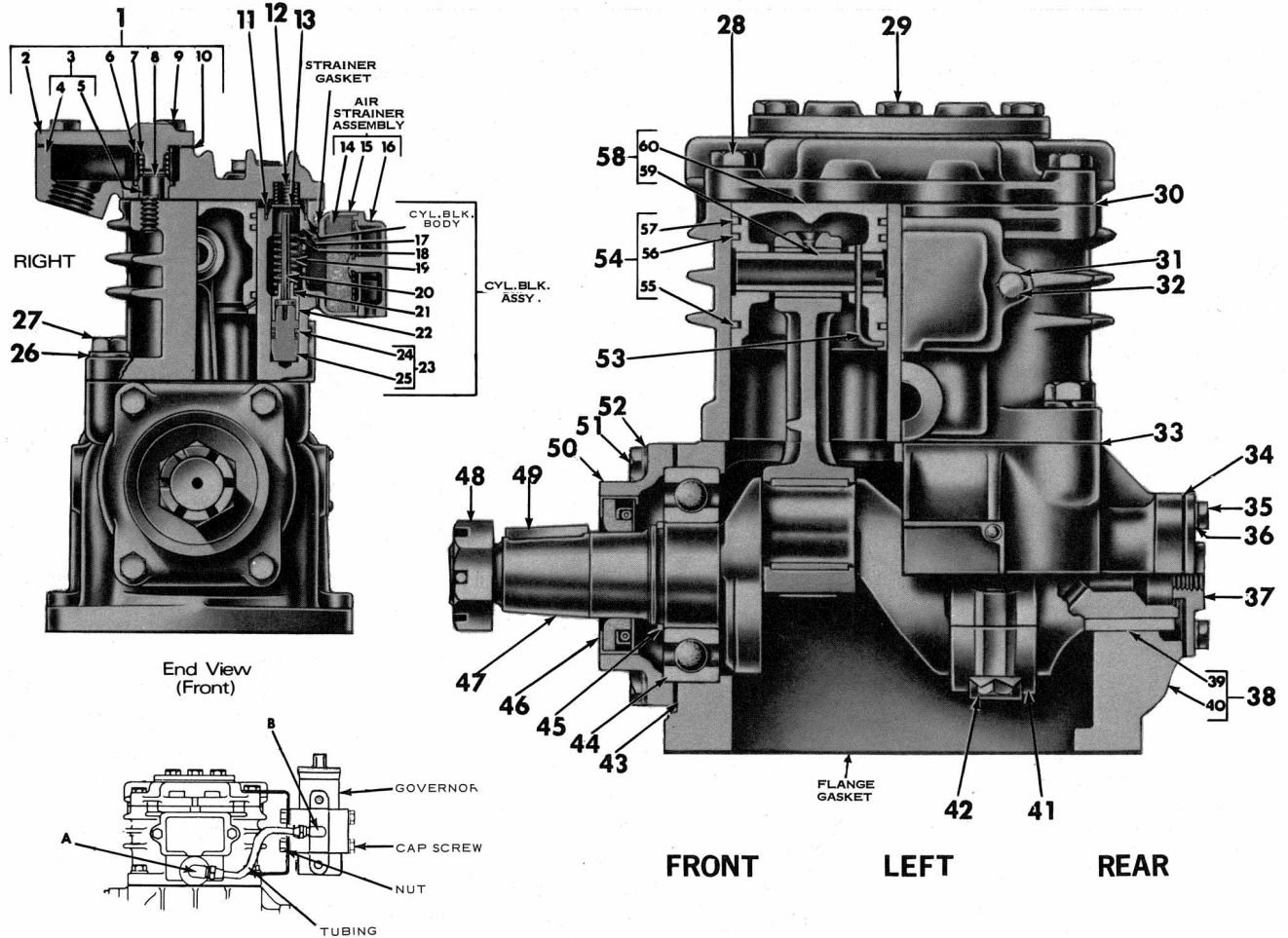


No.	Pc. No.	Quan.	Description
1	235628	1	Crankcase Breather
2	235938	1	Oil Filler Gauge Plug
3	233057	1	Pipe Plug, 3/8"
4	225701	1	<b>CRANKCASE ASSY.</b>
5	235571	1	Crankcase Body
6	235572	1	Bearing
7	233410	1	Pipe Plug, 1/8"
8	235579	1	Rear End Cover
9	235578	1	Rear End Cover Gasket
10	235616	1	Crankcase Base Gasket
11	217425	1	Oil Pressure Check Valve
12	225708	1	<b>CRANKCASE BASE ASSY.</b>
13	233008	1	Pipe Plug, 1/16"
14	235618	1	Crankcase Base Body
15	235619	1	Oil Pump Cylinder

No.	Pc. No.	Quan.	Description
16	237703	1	Oil Pump Rod Lock Washer
17	225702	1	<b>OIL PUMP ROD COMPLETE</b>
18	237325	1	Relief Valve Seat
19	213204	1	Ball
20	237656	1	Relief Valve Spring
21	235581	1	Rod Bearing
22	237702	2	Bolt
23	235582	1	Rod Bearing Cap
24	237755	7	Cap Screw
25	202981	7	Lock Washer
26	235573	1	Crankshaft

# TU-FLO 300 COMPRESSORS

The parts listed below are standard on engine lubricated TF-300 Compressors. Cylinder Head and Cylinder Block parts shown are standard on both engine lubricated and self lubricated TF-300 Compressors.



## Standard Parts - Engine Lubricated

No.	Pc. No.	Quan.	Description	No.	Pc. No.	Quan.	Description		
1	227211	1	<b>CYLINDER HEAD ASSEMBLY</b>	29	237756	1	Cap Screw		
2	227190	1		Cylinder Head Cover	30	235608	1	Cylinder Head Gasket	
3	227210	1		Cylinder Head Body Assy.	31	230412	2	Lock Washer	
4	237328	1		Cylinder Head Body	32	235626	2	Screw	
5	237442	2		Discharge Valve Seat	33	235586	1	Cylinder Block Gasket	
6	235610	2		Discharge Valve Guide	34	235631	1	Rear End Cover Gasket	
7	235611	2		Discharge Valve Spring	35	235580	4	Machine Screw	
8	235606	2		Discharge Valve	36	230412	4	Lock Washer	
9	237755	4		Cap Screw	37	225713	1	Rear End Cover	
10	237443	1		Cyl. Hd. Cover Gasket	38	225755	1	<b>CRANKCASE ASSEMBLY</b>	
11	235604	2	Inlet Valve Guide	39	235572	1	Sleeve Bearing		
12	235607	2	Inlet Valve Spring	40	235638	1	Crankcase Body		
13	235605	2	Inlet Valve	41	225703	2	Connecting Rod Complete		
See Schedule		1	<b>AIR STRAINER ASSEMBLY</b>	42	237701	2	Conn. Rod Locking Strap		
14	239290	1		Filter Element	43	235576	1		Front End Cover Gasket
15	235622	1		Body	44	235574	1		Ball Bearing
16	225711	1		Cover	45	235575	1		Retaining Ring
See Schedule		1	<b>CYLINDER BLOCK ASSY.</b>	46	204399	1	Oil Seal		
See Schedule		1		Cylinder Block Body Assy.	47	235630	1		Crankshaft
See Schedule		1		Cylinder Block Body	48	202926	1	Nut	
17	239723	2		Inlet Valve Seat	49	211345	1	Key	
18	238491	1		Unloader Spring Seat	50	235577	1	Front End Cover	
19	235603	1		Unloader Spring	51	238177	4	Cap Screw	
20	237731	2		Unloader Plunger	52	202981	4	Lock Washer	
21	238546	1		Unloader Spring Saddle	53	235595	2	Wrist Pin Lock Wire	
22	237735	2		Plunger Guide	54	226778	1	<b>PISTON RING SET</b>	
23	227882	2		Unloader Piston Assy.	55	235596	2		Piston Ring
24	238144	2	Back-up Ring	56	235596	2	Piston Ring		
	238143	2	Grommet	57	235586	2	Piston Ring		
25	238141	2	Unloader Piston	58	225704	2	<b>PISTON &amp; WRIST PIN SET</b>		
26	237648	4	Lock Washer	59	235589	2		Wrist Pin	
27	237757	4	Cap Screw	60	235588	2		Piston	
28	237313	5	Cap Screw						

REFERENCE DETAILS — ENGINE LUBRICATED

Pc. No.	Cyl. Block	Air Strainer	Air Strainer Gasket	Inlet Fitting	Gov.	Gov. Bracket	Cap Screw (2 Req'd)	Nut (2 Req'd)	Tubing	Tube Elbow or Conn. ("A")	Tube Elbow or Conn. ("B")	Flange Gasket	Air Inlet Location	Air Discharge Location	Gov. Port Location
225754	275061	225710	235627	None	None	None	None	None	None	None	None	235904	Left	Right	Left
226341	275061	225710	235627	None	224333	236474	203847	204214	236475	224318	205539	None	Left	Right	Left
227471	275061	None	237382	237381	None	None	None	None	None	None	None	235904	Left	Right	Left
227917	275062	None	238233	238192	224333	236474	203847	204214	236475	224318	205539	None	Left	Right	Left
228072	275062	None	238233	238404	224333	236474	203847	204214	236475	224318	205539	None	Left	Right	Left
228858	275061	225710	235627	None	224333	236474	203847	204214	236475	224318	205539	235904	Left	Right	Left
229651	275061	225710	235627	None	224333	236474	203847	204214	236475	224318	205539	235616	Left	Right	Left
275046	275061	225710	235627	None	275223	236474	203847	204214	236475	224318	205539	235904	Left	Right	Left
* 275113	275061	None	None	None	None	None	None	None	None	None	None	235904	Left	Right	Left
* 275114	275062	None	None	None	None	None	None	None	None	None	None	235904	Left	Right	Left
* 275115	275061	None	None	None	None	None	None	None	None	None	None	235616	Left	Right	Left
275550	275061	225710	235627	None	275933	236474	240910	204214	240727	224318	205539	None	Left	Right	Left
275728	275061	225710	235627	None	None	None	None	None	None	None	None	235904	Left	Right	Left
275735	275062	None	238233	238404	275933	236474	240910	204214	240727	224318	205539	None	Left	Right	Left
275974	275062	None	235627	None	None	None	None	None	None	None	None	235904	Left	Right	Left
277073	275062	None	None	238404	None	236474	None	None	None	None	None	None	Left	Right	Left
277583	275062	None	238233	238192	277620	227852	237936	None	242313	224318	205539	None	Right	Left	Right
277617	275062	None	238233	238192	277620	236474	240910	204214	240727	224318	205539	None	Left	Right	Left
277734	275062	None	238233	238404	275933	236474	240910	204214	240727	224318	205539	None	Left	Right	Left
277735	275062	None	238233	238404	None	236474	None	None	None	None	None	None	Left	Right	Left
277736	275062	None	None	None	None	None	None	None	None	None	None	None	Left	Right	Left
278484	275061	225710	235627	None	277244	236474	240910	204214	240727	224318	205539	None	Left	Right	Left
279687	275061	None	237382	237381	277244	227852	237936	None	242313	224318	205539	235904	Right	Left	Right
280257	275062	None	238233	238404	275933	236474	240910	204214	240727	224318	205539	None	Left	Right	Left
281016	275062	None	238233	238404	277244	227852	237936	None	242313	224318	205539	235904	Right	Left	Right
A 281315	275062	None	238233	238404	281375	227852	237936	None	242313	224318	205539	None	Right	Left	Right
281316	275062	None	238233	238404	277244	236474	240910	204214	245592	224318	205539	None	Right	Left	Right
282287	275062	None	238233	238192	275933	236474	240910	204214	245592	224318	205539	235643	Right	Left	Right
283272	275062	None	238233	238404	275933	227852	237936	None	249896	224318	205539	None	Left	Right	Left
A 284371	275062	None	238233	238404	277115	236474	240910	204214	240727	224318	205539	235904	Left	Right	Left
* 284373	275061	None	None	None	None	None	None	None	None	None	None	None	Left	Right	Left
* 284374	275062	None	None	None	None	None	None	None	None	None	None	None	Left	Right	Left

A Has Breather Pc. No. 222797 in Governor

\* EXCHANGE PIECE NUMBERS

REFERENCE DETAILS — SELF LUBRICATED

Pc. No.	Cyl. Block	Air Strainer	Air Strainer Gasket	Inlet Fitting	Gov.	Gov. Bracket	Cap Screw (2 Req'd)	Nut (2 Req'd)	Tubing	Tube Elbow or Conn. ("A")	Tube Elbow or Conn. ("B")	Air Inlet Location	Air Discharge Location	Gov. Port Location
225700	275061	225710	235627	None	None	None	None	None	None	None	None	Left	Right	Left
225841	275061	225710	235627	None	None	None	None	None	None	None	None	Right	Left	Right
226342	275061	225710	235627	None	224333	236474	203847	204214	236475	224318	205539	Left	Right	Left
227481	275061	225710	235627	None	224333	236474	203847	204214	237863	224318	205539	Left	Right	Left
227855	275061	225710	235627	None	275933	227852	237936	None	242313	224318	205539	Left	Right	Left
* 275116	275061	None	None	None	None	None	None	None	None	None	None	Left	Right	Left
* 275117	275061	None	None	None	None	None	None	None	None	None	None	Right	Left	Right
275308	275061	225710	235627	None	275933	227852	237936	None	242313	224318	205539	Right	Left	Right
277885	275061	225710	235627	None	275933	236474	240910	204214	243054	205183	205127	Left	Right	Left
277886	275061	225710	235627	None	275933	227852	237936	None	242313	224318	205539	Right	Left	Right
279042	275061	225710	235627	None	275933	236474	240910	204214	243054	205183	205127	Left	Right	Left
279142	275061	None	None	237381	275933	236474	240910	204214	243054	205183	205127	Left	Right	Left
279630	275061	225710	235627	None	281137	236474	240910	204214	244329	224318	205539	Left	Right	Left

\* EXCHANGE PIECE NUMBERS

# TU-FLO 300 COMPRESSORS

## TU FLO 300 REMANUFACTURED/EXCHANGE REFERENCE

Detail parts for Exchange Compressors (i.e. Crankcases, Head, Crankshafts, Blocks, etc.) Are not available as service parts.

Exchange Compressor are not furnished with Fittings, Governor, Strainers, etc. The worn unit being exchanged must have all External Fittings removed by the Customer and reinstalled on the remanufactured unit.

### TU-FLO 300 — ENGINE LUBE

Pc. No.	Std. Ex. No.	— OTHER OPTIONS —			
225754	275113	226341	227471	275728	278484
226341	275113	227471	228858	275046	278484
227471	275113	228858	275046	275550	275728
227917	275114	277736	275735	277073	277617
228072	275114	275735	277073	277617	277734
228858	275113	275046	275550	275728	275974
229651	275115	—	—	—	—
275046	275113	275550	275728	275974	225754
* 275113	275113	275550	275728	275974	225754
* 275114	275114	275735	277073	277617	280257
* 275115	275115	229651	—	—	—
275550	275113	275728	275974	225754	226341
275728	275113	275974	278484	226341	227471
275735	275114	277073	277617	277734	278484
275974	275113	225754	226341	277471	275550
277073	275114	227917	277617	277734	277735
277583	284374	—	—	—	—
277617	275114	227917	228072	282287	277735
277734	275114	277736	275735	277735	277073
277735	275114	284371	228072	275735	277073
277736	275114	280257	282287	283272	284371
278484	275113	227471	275550	275728	275974
279687	284373	—	—	—	—
280257	275114	277073	277735	283272	284371
281016	284374	281315	281316	—	—
281315	284374	281016	281316	—	—
281316	284374	281016	281316	—	—
282287	275114	227917	275735	277617	277736
283272	275114	228072	277734	282287	284371
284371	275114	275735	277073	277735	277736
* 284373	284373	—	—	—	—
* 284374	284374	281016	281315	281316	—

\* EXCHANGE PIECE NUMBERS

### TU-FLO 300 — SELF LUBE

Pc. No.	Std. Ex. No.	— OTHER OPTIONS —			
225700	275116	226342	227855	277885	279042
225841	275117	275308	277886	—	—
226342	275116	227855	277885	279042	279142
227481	275116	227855	277885	279042	279142
227855	275116	225700	277885	279042	279142
* 275116	275116	225700	277885	279042	279142
* 275117	275117	225841	275308	277886	—
275308	275117	225841	277886	—	—
277885	275116	226342	227481	227855	279042
277886	275117	225841	275308	—	—
279042	275116	226342	227855	277885	279630
279142	275116	226342	227855	277885	279630
279630	275116	226342	227855	277885	279630

\* EXCHANGE PIECE NUMBERS

### MAINTENANCE KIT FOR TU-FLO 300 COMPRESSORS

PC. NO. 229415

CONSISTS OF THE FOLLOWING:

QUAN.	PC. NO.	DESCRIPTION
1	279613	Unloader Kit
2	235604	Inlet Valve Guide
2	235605	Inlet Valve
2	235607	Inlet Valve Spring
1	235608	Cylinder Head Gasket
2	235610	Discharge Valve Guide
2	235606	Discharge Valve
2	235611	Discharge Valve Spring
1	273443	Cylinder Head Cover Gasket
1	235904	Flange Gasket (Eng. Lub. Compr.)
1	239290	Filter Element