

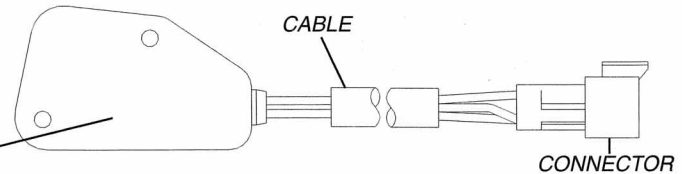
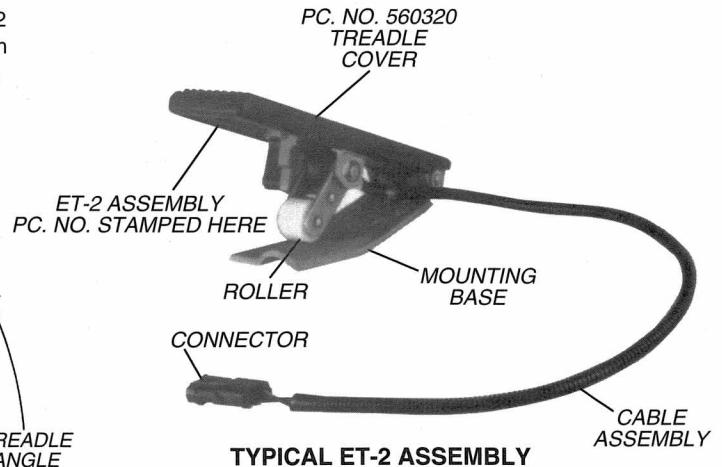
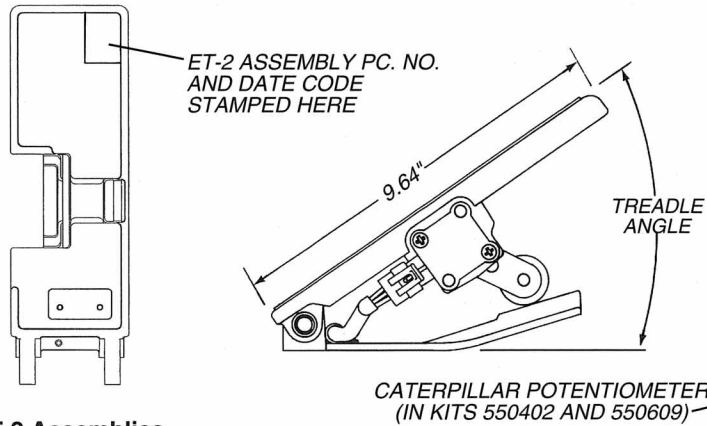
On vehicles with electronically controlled diesel engines, the ET-2 Electronic Treadle provides graduated throttle control by sending an electrical signal to the fuel control system in proportion to pedal travel.

FOR SERVICE/MAINTENANCE INFORMATION, SEE SD-10-4106

Weight - Approx. 3.5 lbs.

Device Code - 4106

VMRS No. - 44-007-047



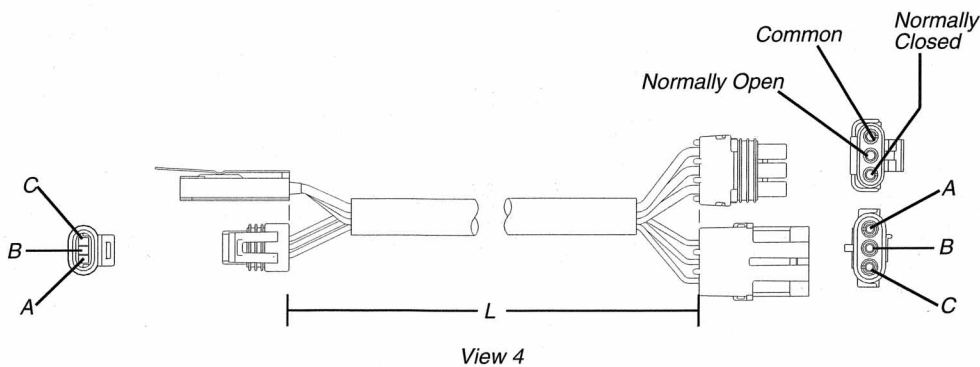
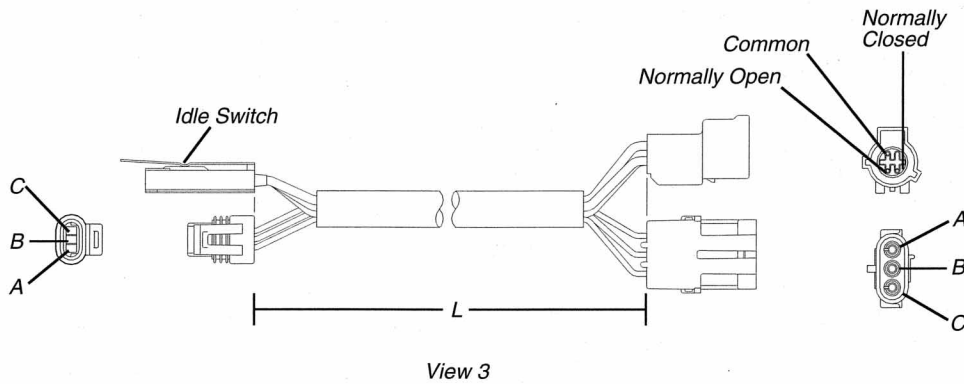
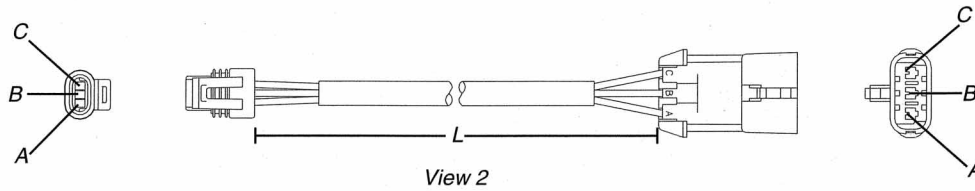
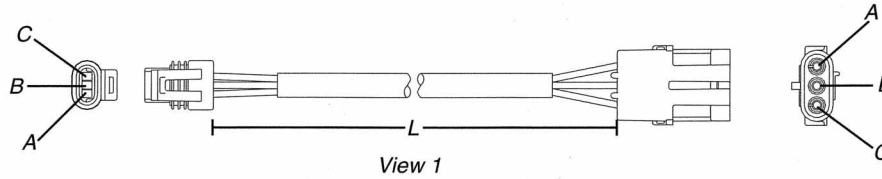
ET-2 Assemblies

O.E. Assembly Pc. No.	Service Replacement Pc. No. (Note 1)	Customer I.D.	Engine	Treadle Angle	Cable Assembly	Potentiometer Kit	Major Rebuild Kit	Mounting Base View
550200	065151	—	CUMMINS CELECT	35	550478	550391	550543	5
550227	065271	MACK 4QB47	MACK V-MAC	35	550226	550390	550394	5
550233	065272	—	DETROIT DDEC	35	550265	550389	550394	5 & 1
550281	065320	PACCAR 1606169	DETROIT DDEC	30	550265	550389	550394	4
550305	065290	FORD F1HT9735AA	CUMMINS CELECT	35	550396	550391	550543	5
550308	065291	FORD FOHS9735AA	DETROIT DDEC	35	550265	550389	550394	5
550344	065308	MACK 4QB47-P2	MACK V-MAC	35	550342	550390	550394	6
550345	065272	MACK 4QB51	DETROIT DDEC	35	550265	550389	550394	5
550378	065419	—	DETROIT DDEC	45	550265	550389	550394	3
550379	065321	PACCAR 1606068	CAT PEEC	30	Included w/Pot. Kit	550402	550403	4
550380	065322	MACK 4QB48	CAT PEEC	35	Included w/Pot. Kit	550402	550403	5
550464	065332	PIERCE 424627	DETROIT DDEC	45	550265	550389	550394	7
550465	065338	—	CAT PEEC	45	Included w/Pot. Kit	550402	550403	7
550482	065381	PACCAR 1606444	CUMMINS CELECT	30	550420	550391	550543	4
550483	065380	MACK 4QB49M	CUMMINS CELECT	35	550420	550391	550543	5
550537	065420	—	CAT PEEC	45	Included w/Pot. Kit	550402	550403	3
550539	065421	—	CUMMINS CELECT	45	550420	550391	550543	3
550546	065320	—	DETROIT DDEC	30	550438	550389	550394	4
550547	065272	—	DETROIT DDEC	35	550438	550389	550394	5
550548	065321	—	CAT PEEC	30	Included w/Pot. Kit	550402	550403	4
550549	065322	—	CAT PEEC	35	Included w/Pot. Kit	550402	550403	5
550551	065431	—	CUMMINS CELECT	30	550524	550391	550543	4
550553	065432	—	CUMMINS CELECT	35	550524	550391	550543	5
550556	065434	MCI/TMC 4L1561	DETROIT DDEC	35	550265	550389	550394	8
550604	065272	OSHKOSH 2021650	DETROIT DDEC	35	550265	550389	550394	5 & 1
550615	065483	PACCAR 160527	'94 CAT PEEC	30	Included w/Pot. Kit	550609	550403	4
550616	065484	—	'94 CAT PEEC	35	Included w/Pot. Kit	550609	550403	5
550695	065332	PIERCE	CUMMINS CELECT	45	550420	550391	550543	7

Note 1 - Service replacement units are supplied without treadle cover and cable assembly.

Cable Assemblies

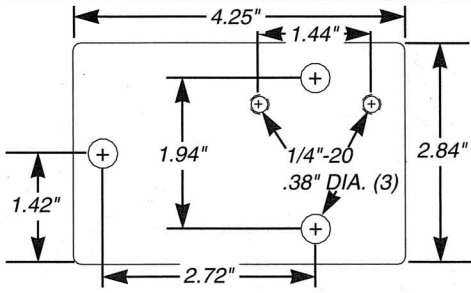
Cable Assy. Pc. No.	View	L"	Pins		
			A	B	C
550226	2	30.0 (+/- .5)	Input (Orange)	Output (Green)	Ground (Black)
550265	1	30.0 (+/- .5)	Ground (Black)	Output (Green)	Input (Orange)
550342	2	36.0 (+/- .5)	Input (Orange)	Output (Green)	Ground (Black)
550396	3	30.0 (+/- .2)	Input (Orange)	Output (Green)	Ground (Black)
550420	4	30 (+/- 2)	Ground (Black)	Output (Green)	Input (Orange)
550438	2	34.0 (+/- .5)	Ground (White)	Output (Black)	Input (Red)
550478	4	30.0 (+/- 2)	Input (Orange)	Output (Green)	Ground (Black)
550524	4	34 (+/- 2)	Ground (Black)	Output (Green)	Input (Orange)



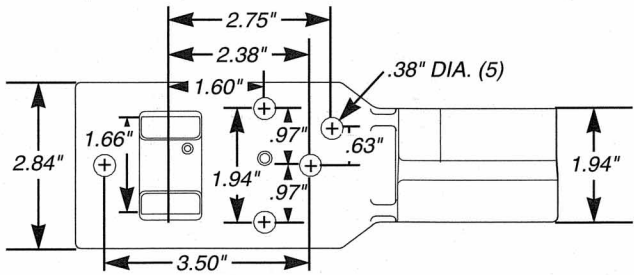
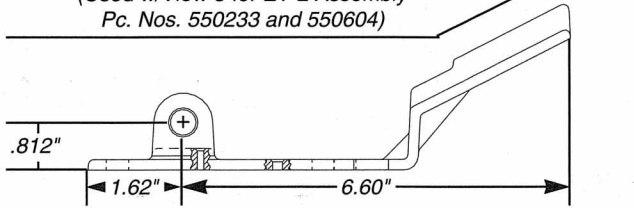
MOUNTING BASE VIEWS

ET-2
ELECTRONIC
TREADLE

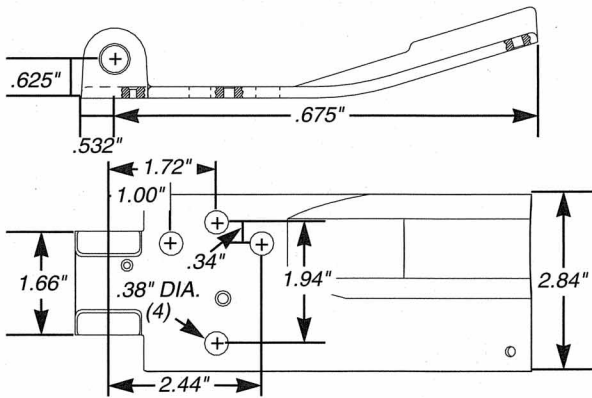
CATALOG
15-A-3



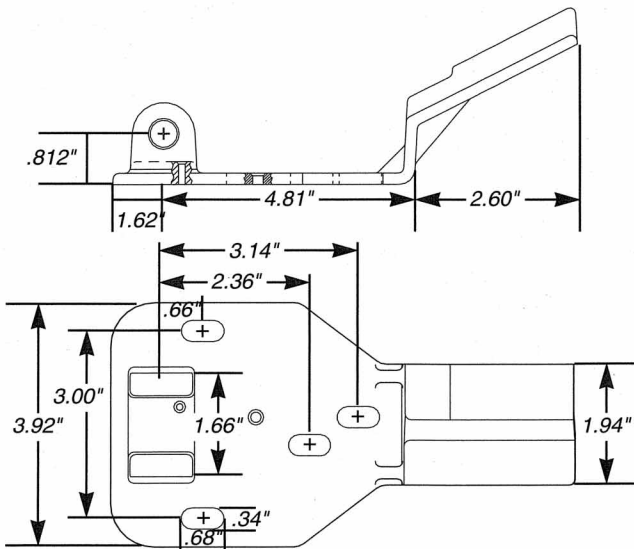
Mounting Base View 1
(Used w/View 5 for ET-2 Assembly
Pc. Nos. 550233 and 550604)



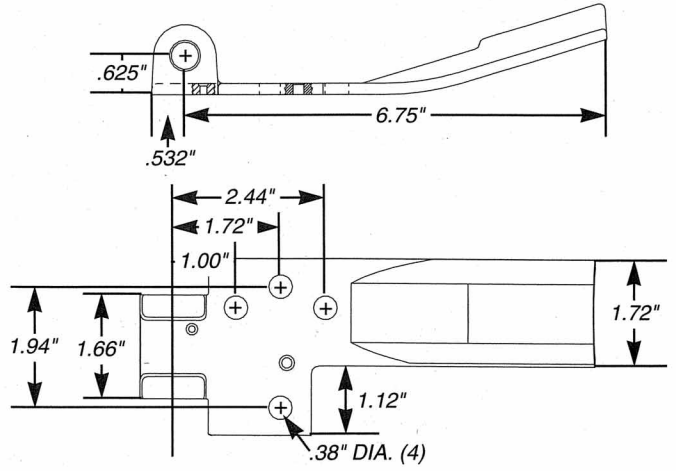
Mounting Base View 3



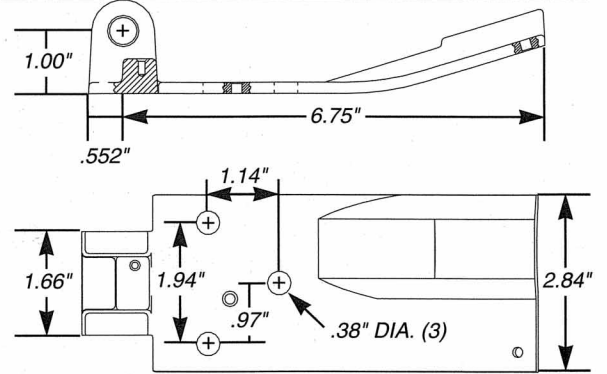
Mounting Base View 5



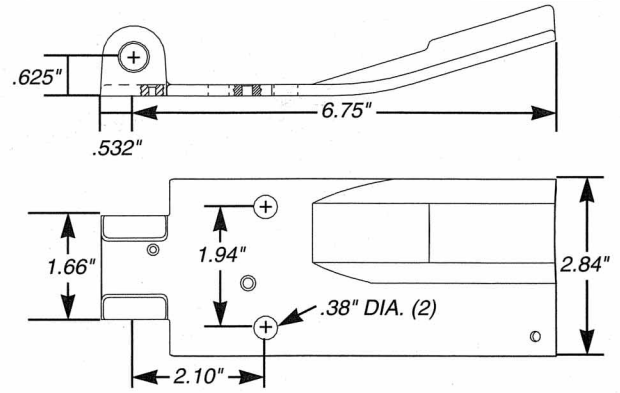
Mounting Base View 7



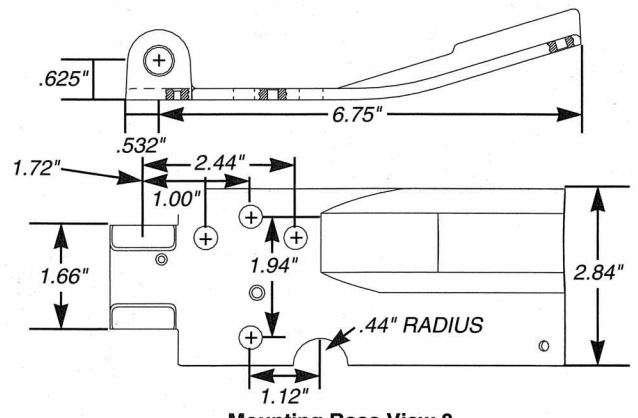
Mounting Base View 2 (Alt. Ford Base)



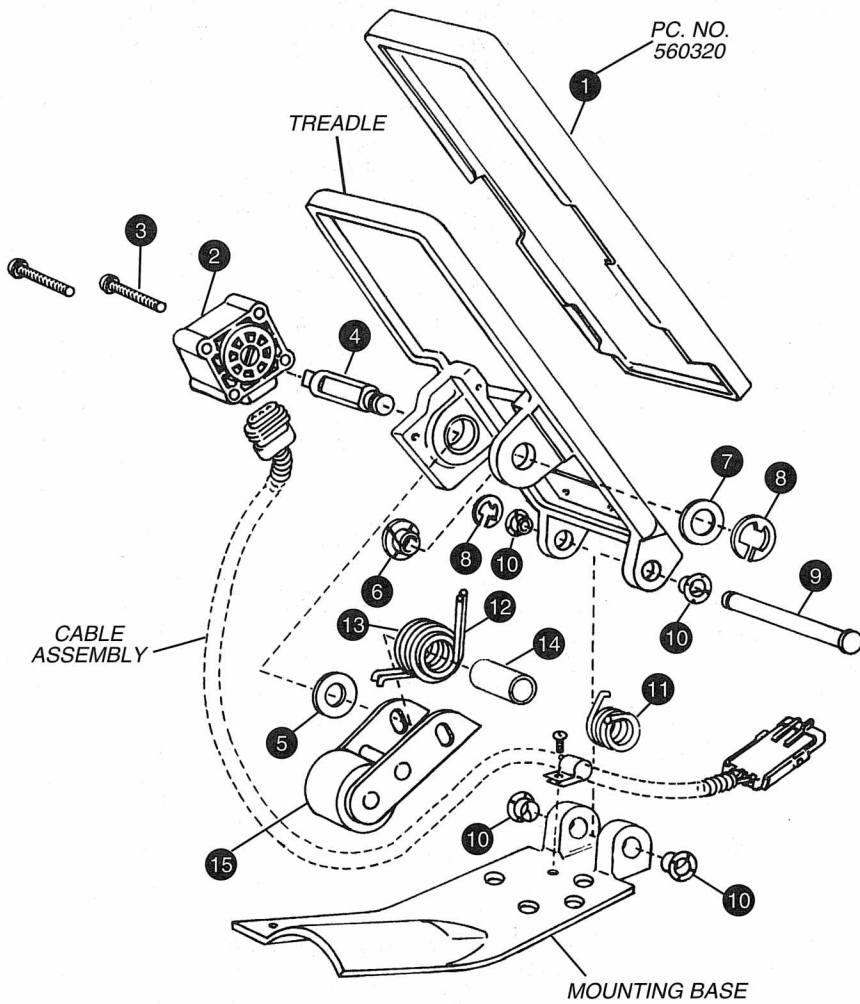
Mounting Base View 4



Mounting Base View 6



Mounting Base View 8



POTENTIOMETER KITS CONSIST OF:

Key No.	Qty.	Description
2	1	Potentiometer
3	2	Sems Screws

PIVOT PIN SPRING KIT 550392
CONSISTS OF:

Key No.	Qty.	Description
8	1	Snap Ring
10	4	Nyliner Bearing (White)
11	1	Pivot Spring

LEVER SHAFT SPRING KIT 550393
CONSISTS OF:

Key No.	Qty.	Description
—	1	Pivot Pin Spring Kit
5	1	Nylon Washer (.520" I.D.)
6	1	Nyler Bearing (Black)
7	1	Nylon Washer (.390" I.D.)
8	1	Snap Ring
12	1	Inner Spring
13	1	Outer Spring
14	1	Spring Support

MAJOR REBUILD KITS
CONSIST OF:

Key No.	Qty.	Description
—	1	Lever Shaft Spring Kit
1	1	Treadle Cover
4	1	Lever Shaft
9	1	Pivot Pin
15	1	Roller Assembly