

# AIR/HYDRAULIC DEVICES

HR-1

CATALOG  
11-C-01

## DESCRIPTION

The HR-1 Hydraulic Relay Valve is designed for use on hydraulic braked straight trucks that incorporate a separate and independent spring actuated parking brake system. It functions as a control point that reduces and directs hydraulic pump pressure to and from spring actuated parking brakes.

WEIGHT: 2.375 LBS.

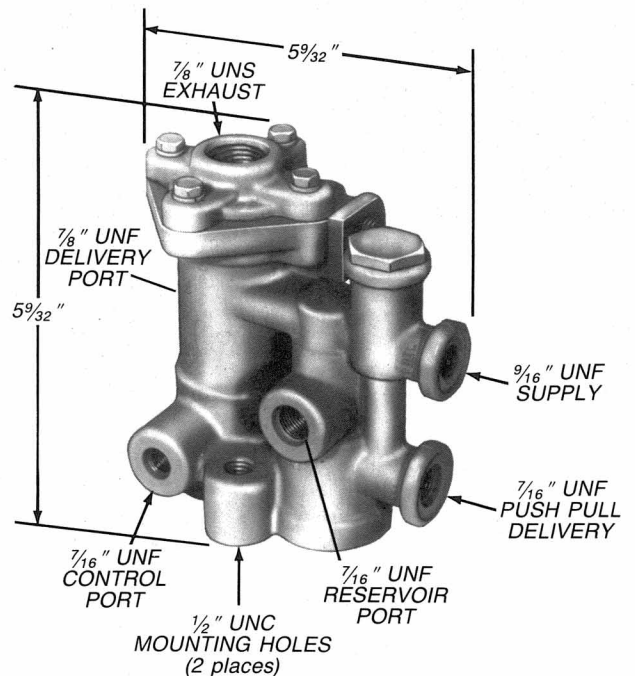
VMRS. NO.: 13-010-015

DEVICE CODE: 4550

HR-1 RELAY VALVE PC. NO.	SERVICE PC. NO.	FORD PC. NO.
*065039	065060	E4HZ-2A-449-A
*102997	065060	E4HT-2A-449-AA E4HT-2A-449-AD DE4HT-2A-449-AC DE4HT-2A-449-AD
104245	065060	E5HT-2A-449-CA E5HT-2A-449-CB

\*Obsolete

★ The HPP-1 Control Valve and a button & pin kit is used in conjunction with the HR-1 (see below).



# AIR/HYDRAULIC DEVICES

HPP-1

## DESCRIPTION

The HPP-1 Hydraulic Push Pull Control Valve is a manually operated, on-off control valve. It is non-automatic and will remain in the position it is manually placed in, regardless of delivery or supply pressure.

The HPP-1 is used to control parking and emergency brakes.

WEIGHT: .60 LBS.

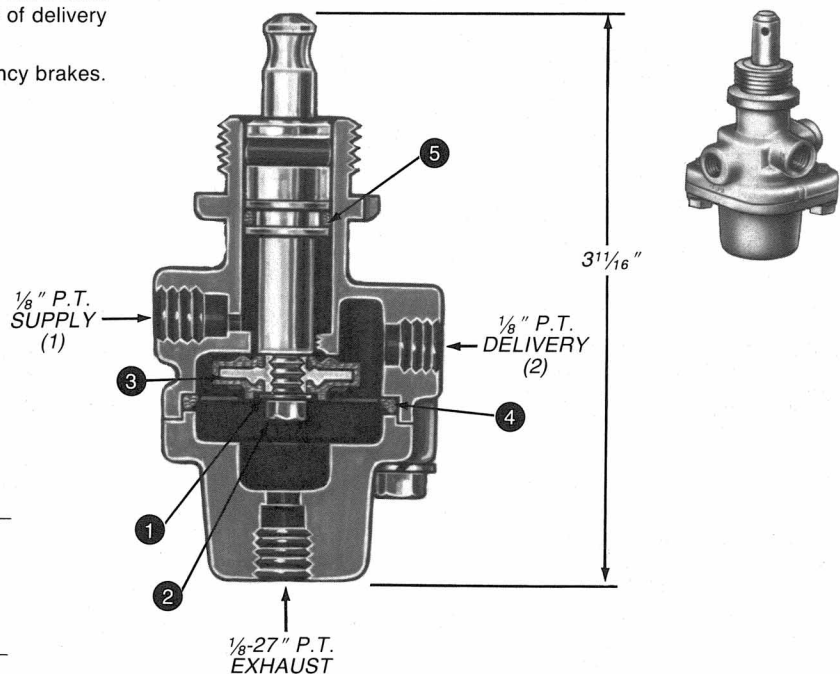
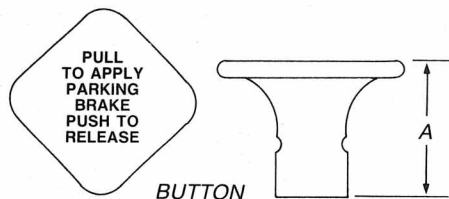
VMRS. NO.: 13-010-104

DEVICE CODE: 3624

### Parts List/General Information

Maintenance Kit 104542 consists of:

KEY	NO. DESCRIPTION	QUANTITY
1	Special Washer	1
2	Machine Screw	1
3	Inlet & Exh. Valve	1
4	Sealing Ring	1
5	O-Ring	1



BUTTON & PIN KIT PC. NO.	BUTTON	FORD PC. NO.	A	PIN PC. NO.
101851	248502	E0HT-22-781-AA	1 1/8"	238379
102087	296741	E4HT-2A-848-BA	1 1/2"	238379

HPP-1 OE PC. NO.	SERVICE PC. NO.	AUTOMATIC RELEASE PRESSURE
104541	065077	10 PSI