

TYPE 36 ROTOCHAMBER

All units on this page use brake fluid.

The AH-4 Air Hydraulic Intensifier is a device used to convert air pressure to hydraulic pressure. It is a combination of two components; a specially designed Rotochamber and Hydraulic Master Cylinder.

The AH-4 is used to provide pressure to hydraulic disc brakes on air braked vehicles. The units are used on both on-highway and off-highway vehicles.

For complete service/maintenance information, see Service Data Sheet SD-11-1.

Maintenance Kits for Master Cylinders:
For Brake Fluid — Pc. No. 289286
For Mineral Oil — Pc. No. 289287

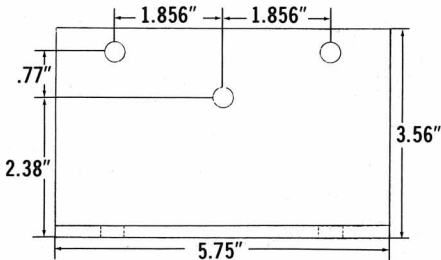
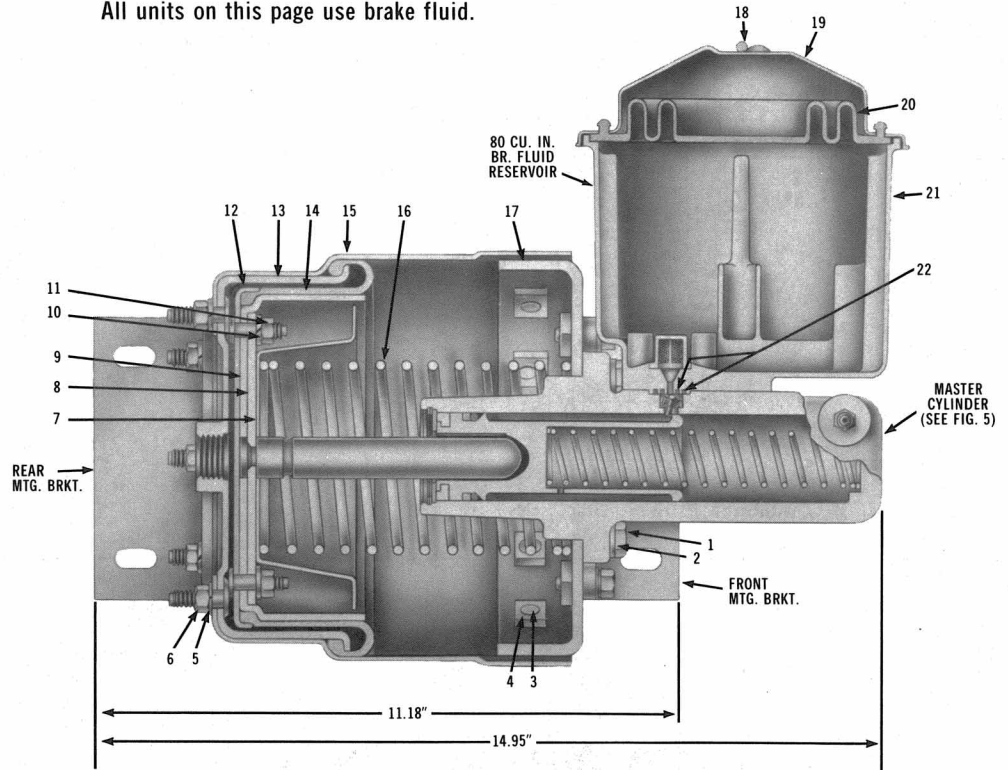
Power Ratio — 17:1
Max. Displacement — 6 cu. in.

Weight — Remote Res. — Approx. 32 Lbs.
Integral Res. — Approx. 37 Lbs.

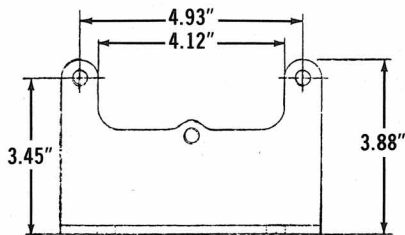
VMRS No. 13-006

Note: Detail part numbers may differ depending on type of fluid (mineral oil or brake fluid) used, and should not be interchanged.

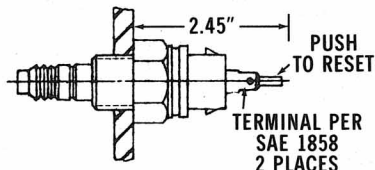
For Intensifier with Type 50 Rotochamber, see Catalog 11-B-1.



MOUNTING BRACKET PC. NO. 290690 (REAR)



MOUNTING BRACKET PC. NO. 290691 (FRONT)



STROKE WARNING SWITCH

COMMON SERVICE PARTS							
NO.	PC. NO.	QTY.	DESCRIPTION	NO.	PC. NO.	QTY.	DESCRIPTION
1	291833	3	CAP SCREW 5/16"	13	286759	1	OUTER DIAPHRAGM CLAMP
2	201318	3	LOCK WASHER 5/16"	14	231534	1	DIAPHRAGM
3	231826	8	CAP SCREW 3/8"	15	290958	1	BODY
4	201504	8	LOCK WASHER 3/8"	16	231540	1	SPRING
5	202982	8	LOCK WASHER 5/16"	17	286760	1	COVER COMPLETE
6	204214	8	HEX NUT 5/16"	18	290931	1	BAIL
7	290688	1	SPRING GUIDE	19	290930	1	RESERVOIR
8	286758	1	PUSH ROD COMPLETE	20	290935	1	DIAPHRAGM
9	231536	1	DIAPHRAGM GUIDE	21	287157	1	RESERVOIR BODY COMPLETE
10	202981	8	LOCK WASHER 1/4"	22	292214	1	SEAL (BRAKE FLUID)
11	203105	8	HEX NUT 1/4"		292939	1	SEAL (MINERAL OIL)
12	277830	1	INNER DIAPHRAGM CLAMP				

SUB ASSY. AND DETAIL REFERENCE

AH-4 HYD. INTENSIFIER ASSY. PC. NO.	TYPE 36 ROTO-CHAMBER ASSY.	MASTER CYL. ASSY. (SEE FIG. 5)	WARNING SWITCH	BOOT (ON WARNING SW.)	DELIVERY PORT (SEE FIG. 4)		BRACKET LOCATION		J.E.M. INSTALLATION IDENTIFICATION		
					LEFT	RIGHT	LEFT	RIGHT	FORD PC. NO.	MAK	HARNISCH-FEGER
INTEGRAL RESERVOIR											
288856	286757	286746	286747	NONE		X		X	D6HT-2B571-CA		
A289273	289274	286746	287131	290959		X		X		X	X
REMOTE RESERVOIR											
B286761	286757	286755	287131	290959	X		X	X		X	
B287071	286757	287069	287131	290959		X	X			X	
C288857	286757	287069	NONE	NONE		X	X		D6HT-2B571-DA		
B289384	286757	286746	286747	NONE		X	X			X	

A — SEE FIG. 3 BACK OF PAGE
B — SEE FIG. 1 BACK OF PAGE
C — SEE FIG. 2 BACK OF PAGE

TYPE 36 ROTOCHAMBER

REMOTE RESERVOIR VERSIONS

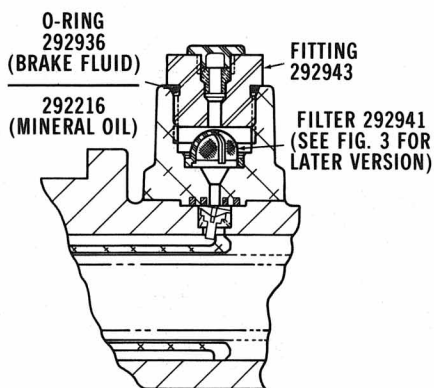


FIG. 2
ADAPTER WITH 1/4" FLARED
TUBE SEAT

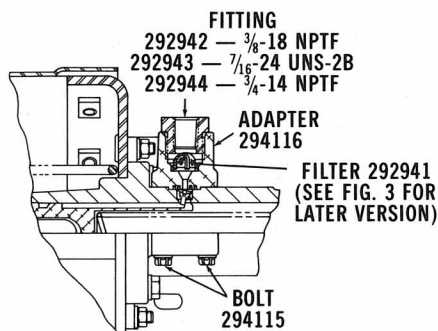


FIG. 1
3/8" NPT ADAPTER FOR CONNECTING
REMOTE RESERVOIR

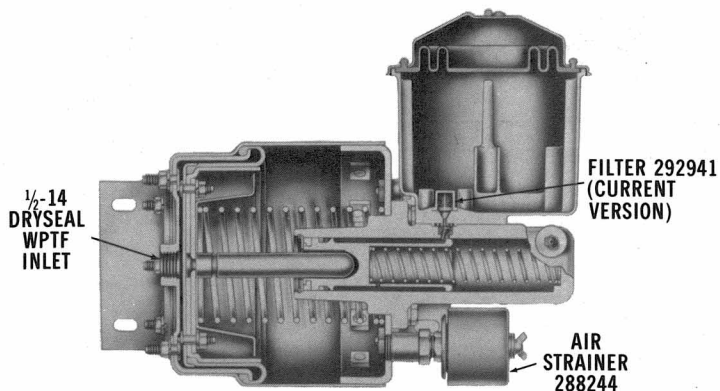


FIG. 3
DUST RESISTANT VERSION
WITH AIR STRAINER

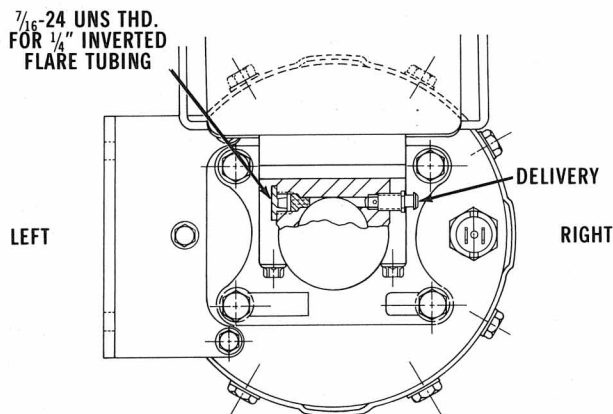


FIG. 4
LEFT HAND MOUNTING BRACKET
& RIGHT HAND HYDRAULIC DELIVERY

MAINTENANCE KITS FOR MASTER CYLINDERS

MASTER CYLINDERS USING BRAKE FLUID

PC. NO. 289286

NO.	PC. NO.	QTY.	DESCRIPTION
1	289283	1	PISTON ASSY.
2	292214	1	SEAL
3	292933	1	POPPET
4	292934	1	SPRING
5	292936	1	O-RING
6	292937	1	WASHER
7	292938	1	RETAINING RING

MASTER CYLINDERS USING MINERAL OIL

PC. NO. 289287

NO.	PC. NO.	QTY.	DESCRIPTION
1	289280	1	PISTON ASSY.
2	292939	1	SEAL
3	292933	1	POPPET
4	292934	1	SPRING
5	292216	1	O-RING
6	292937	1	WASHER
7	292938	1	RETAINING RING

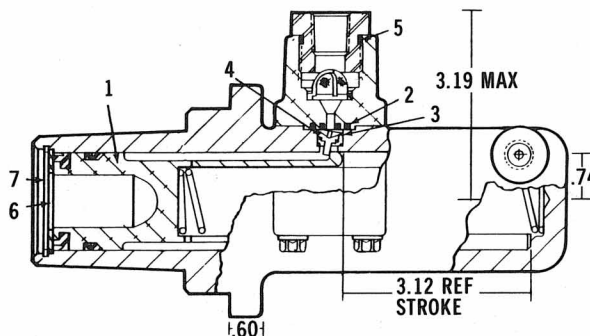


FIG. 5
MASTER CYLINDER