

AIR DRYER

AD-3

CATALOG
08-A-3

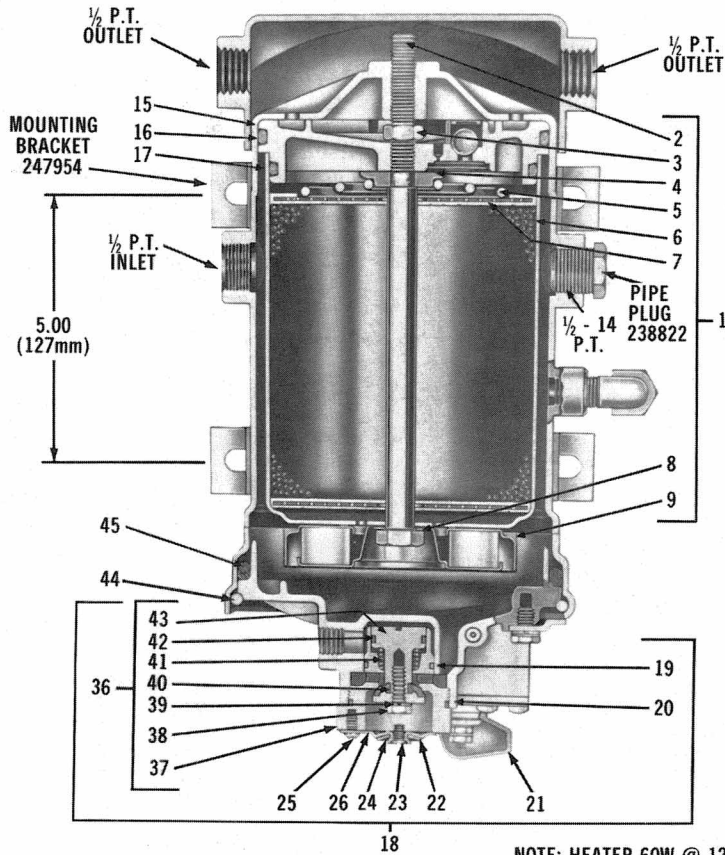
The AD-3 Air Dryer is a desiccant type, inline filtration system that removes contaminants and provides dry air for the air brake system. It incorporates an automatic governor controlled drain valve. The AD-3 requires a separate externally connected purge reservoir and check valve. The shorter stature of the AD-3 provides greater mounting versatility on the vehicle. It can be used on highway vehicles with a 25 CFM (or less) compressor where normal loaded time is not more than 30 seconds, and unloaded is greater than 30 seconds.

WEIGHT - Air dryer 20 lbs.
Air dryer kit 26 lbs.26lbs
VMRS. NO. - 13-010-033
DEVICE CODE IS 2406

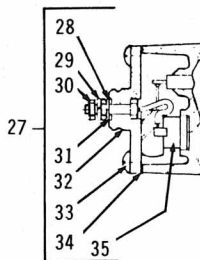
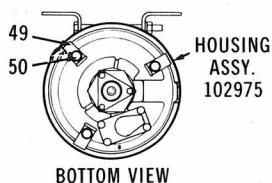
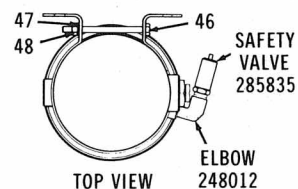
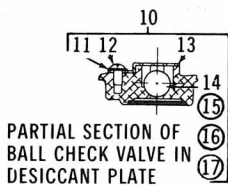
SERVICE / MAINTENANCE INFORMATION MAINTENANCE KITS:

PC. NO.	DESCRIPTION
102657	Thermostat Maintenance kit
286718	Desiccant Cartridge Refill Kit
287053	Purge Valve Maintenance Kit
287313	Complete Desiccant Cartridge Refill Kit Plus Items 3, 14, 16, 17 & 45
288918	End Cover Maintenance Kit

* PC. NO. 101900 IS REMFR. EXCH. FOR DESICCANT CARTRIDGE KIT.



NOTE: HEATER 60W @ 12 VDC.



AIR DRYER SERVICE PARTS

NO.	PC. NO.	QUAN.	DESCRIPTION
1*	102973	1	DESICCANT CARTRIDGE ASSY.
2		1	CARTRIDGE BOLT
3	AC	1	LOCK NUT
4		1	SPRING SEAT
5		1	CONICAL SPRING
6		1	CARTRIDGE SHELL
7		2	PERFORATED PLATE COMPL.
8		1	WASHER
9	A	1	OIL SEPARATOR FILTER
10	283677	1	DESICCANT PLATE COMPL.
11		1	LOCK WASHER
12		1	SCREW
13		1	VALVE COVER
14	AC	1	BALL VALVE
15		1	DESICCANT SEALING PLATE
16	AC	1	O-RING
17	AC	1	O-RING
18	102976	1	END COVER ASSY.
19	B	1	O-RING
20	B	1	O-RING
21	B	1	BOOT
22		1	DIAPHRAGM WASHER
23		1	SCREW
24	B	1	DIAPHRAGM
25		3	SCREW
26		1	EXHAUST ADAPTER
27		1	END COVER-THERMOSTAT ASSY.
28	D	1	O-RING
29		1	LOCK WASHER
30		2	NUT
31		1	WASHER
32	D	1	THERMOSTAT COVER
33		4	SCREW
34	D	1	GASKET
35		1	THERMOSTAT
36	286873	1	PURGE VALVE ASSY.
37		1	PURGE VALVE HOUSING
38		1	SCREW
39		1	LOCK WASHER
40	B	1	PURGE VALVE COMPL.
41	B	1	SPRING
42	B	1	O-RING
43		1	PURGE VALVE PISTON
44	247770	1	RETAINING RING
45	AC	1	O-RING
46	247728	2	CAP SCREW
47	204214	2	NUT
48	202982	2	LOCK WASHER
49	247955	3	RETAINING CLIP
50	291931	3	CAP SCREW

A - FURNISHED IN MAINTENANCE KIT 286718
B - FURNISHED IN MAINTENANCE KIT 287053
C - FURNISHED IN MAINTENANCE KIT 287313
D - FURNISHED IN MAINTENANCE KIT 288918

MAY 1987