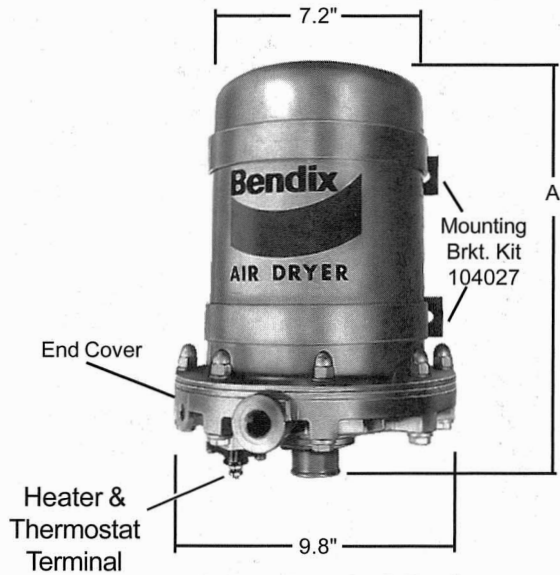


The AD-4 Air Dryer is a desiccant type, inline filtration system that removes contaminants and provides dry air for the air brake system. It incorporates an automatic drain valve which is controlled by the governor. It can be used on highway vehicles with a 25 cfm (or less) compressor where normal loaded time is not more than 30 seconds, and unloaded is greater than 30 seconds. If these loaded times are exceeded, additional purge volume may be required.

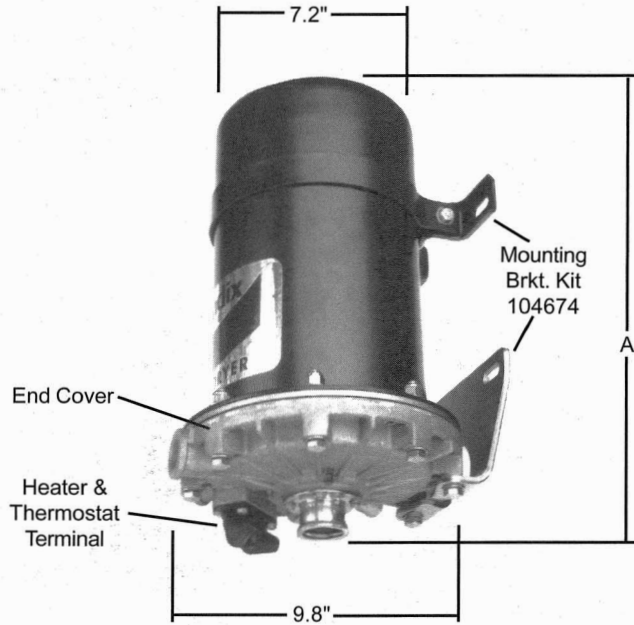
Two versions of the AD-4 are available. The standard unit with 200 cu. in. of purge volume and the transit coach version which contains 300 cu. in. of purge volume. The transit coach model eliminates the need for external ping tanks and connections.

For service/maintenance information, see Service Data Sheet SD-08-2407.

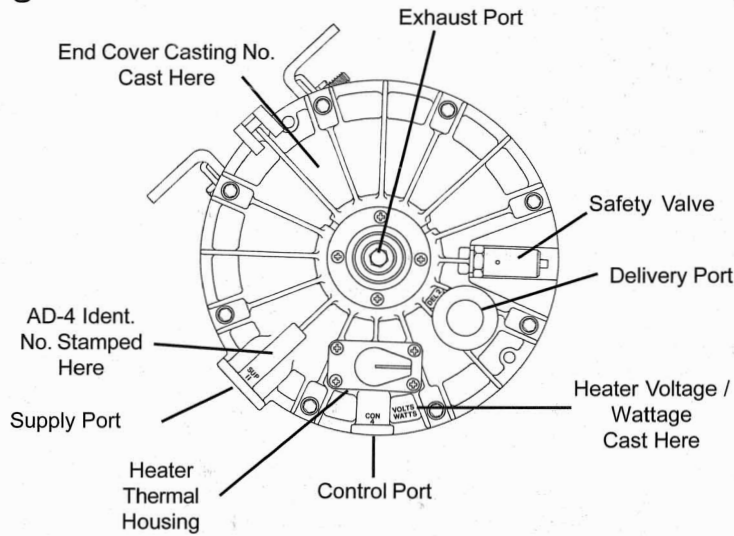
WEIGHT - 28 LBS.
VMRS. NO. - 13-010-033
DEVICE CODE IS 2407



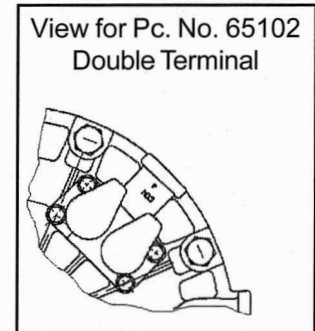
Standard AD-4
Fig. 1



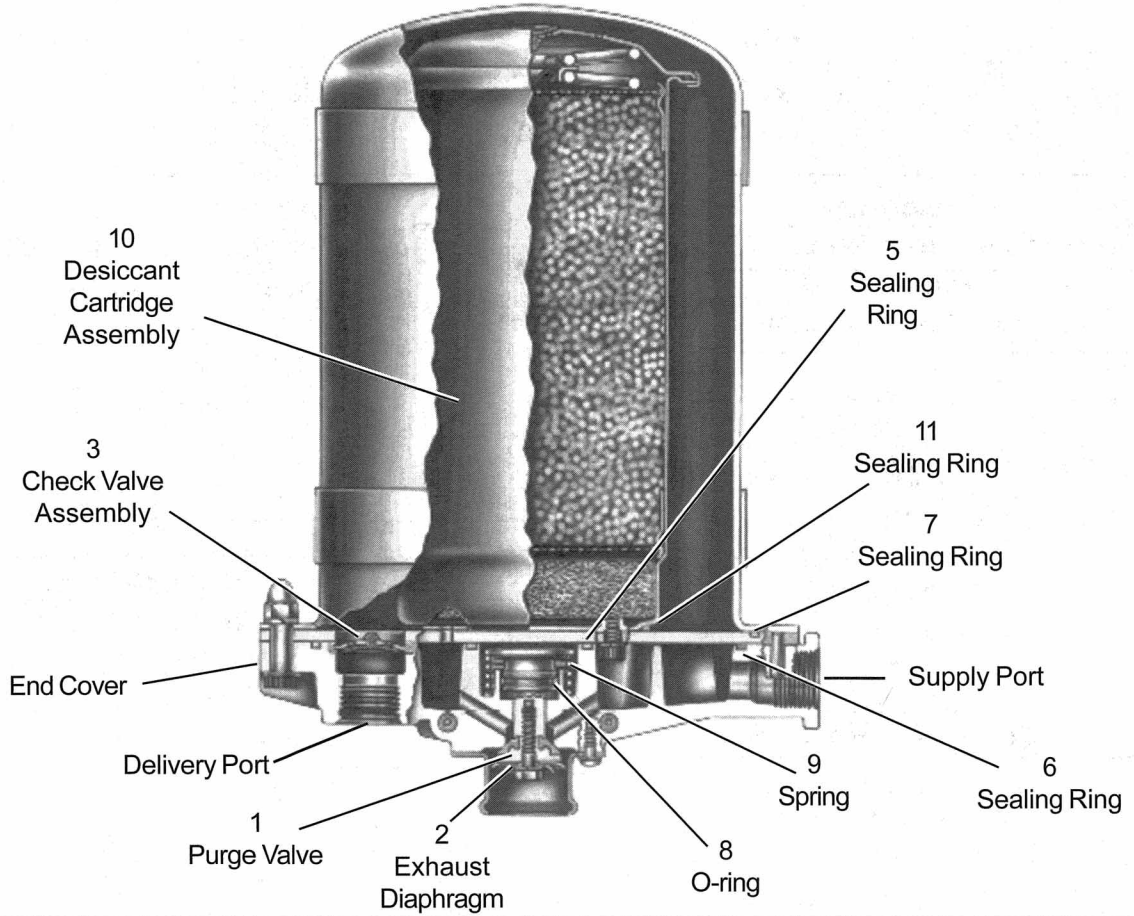
Transit Coach AD-4
Fig. 2



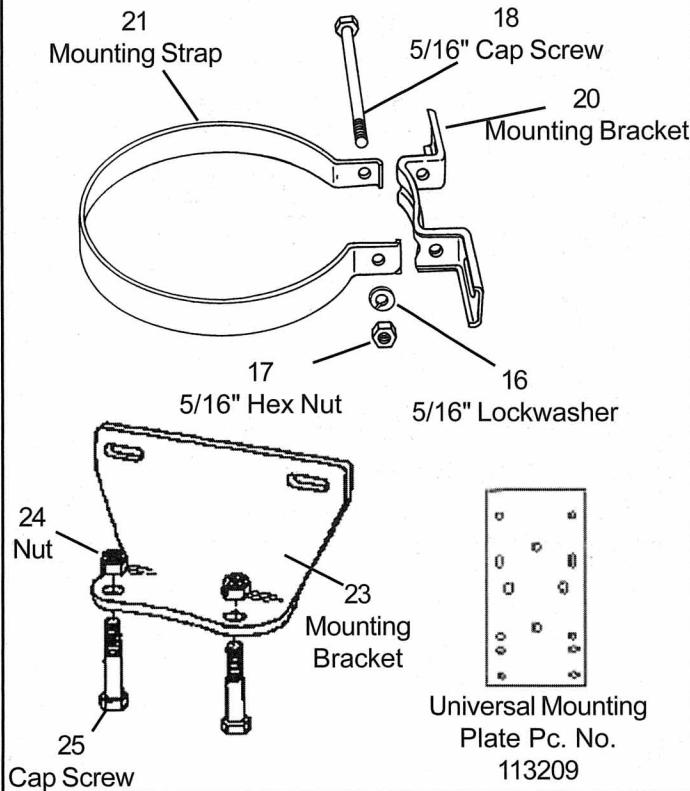
End Cover



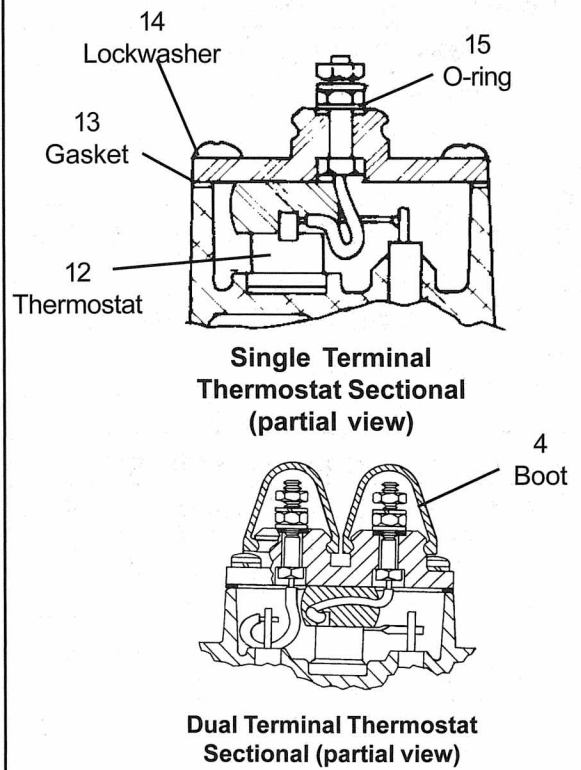
AD-4 Serv. Pc. No.	End Cover Pc. No.	Casting Pc.No. (Ref.)	Volts	Watts (P.T.)	Terminal (P.T.)	Supply Port (P.T.)	Delivery Port	Control Port	Mounting Brkt. Kit (Included)	'A'	Fig.
65041	065044	T-296381	12	60	single	1/2	1/2	1/4	104027	13.8	1
65102	-	-	12	60	double	3/4	3/4	1/4	104674	16.2	2



Mounting Brackets



Thermostat Terminals



Maintenance Kits

Contents of all maintenance kits are keyed to sectional Views and details on the previous page.

Key	Description	Quantity
Purge Valve Replacement Kit 103818		
1	Purge Valve	1
2	Exhaust Diaphragm	1

Seal Kit 103879		
3	Check Valve Assembly	1
4	Boot	2
5	Sealing Ring	1
6	Sealing Ring	1
7	Sealing Ring	1

End Cover Kit 103980		
-	Purge Valve Kit 103818	1
-	Seal Kit 103879	1
8	O-Ring	1
9	Piston Spring	1

Major Maintenance Kit 103817		
10	Desiccant Cartridge	1
-	End Cover Kit 103980	1
11	Sealing Ring	1

Reman. Desiccant Cartridge Kit 104358		
10	Desiccant Cartridge	1
-	Seal Kit 103879	1
11	Sealing Ring	1

Desiccant Cartridge Kit 103981		
10	Reman. Desiccant Cartridge	1
-	Seal Kit 103879	1
11	Sealing Ring	1

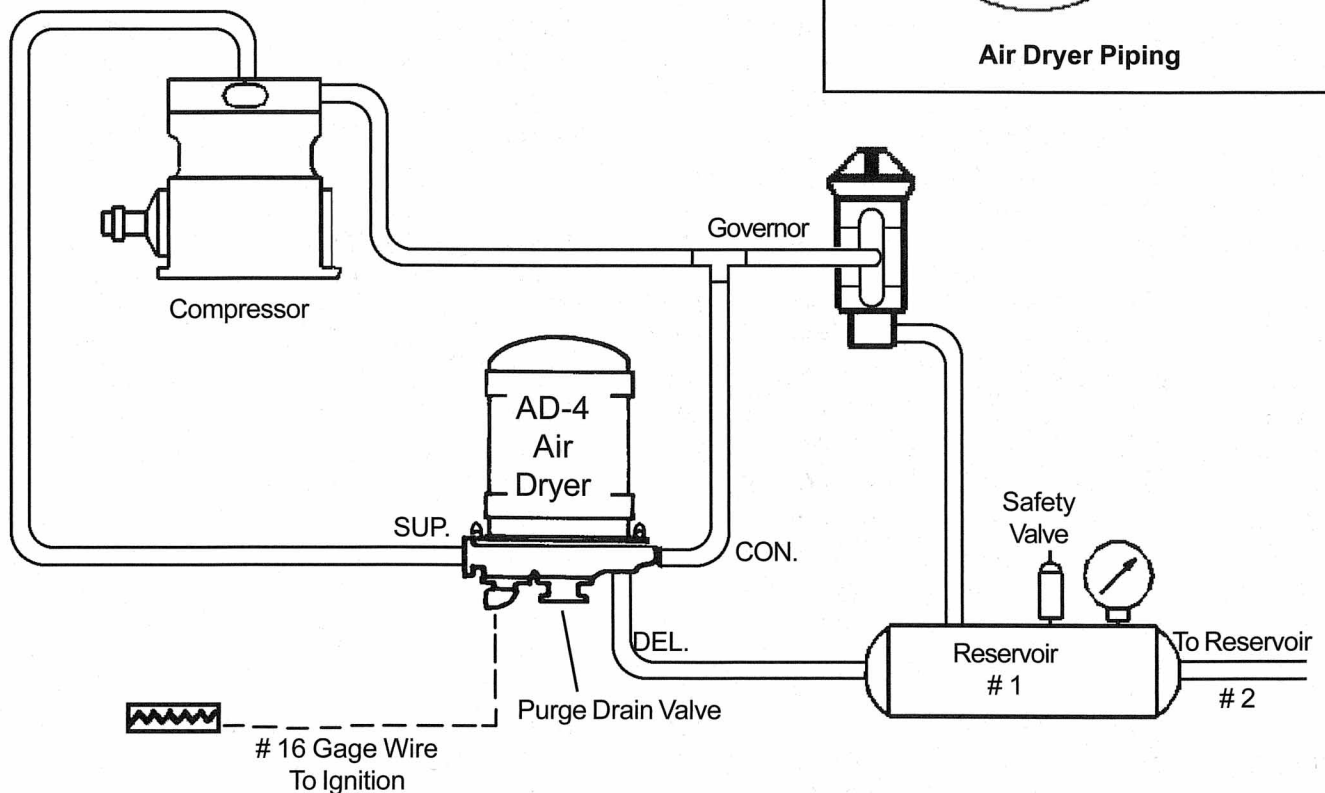
Key	Description	Quantity
Thermostat Maintenance Kit (Single Terminal) 102657		
12	Thermostat	1
13	Gasket	1
14	Lockwasher	4
4	Boot	1
15	O-Ring	1

Thermostat Maintenance Kit (Double Terminal) 103982		
Thermostat Kit (Single) 102657		
15	O-Ring	1
4	Boot	1

Mounting Bracket Kit 104027		
16	5/16 Lockwasher	2
17	5/16 Nut	2
18	5/16 Cap Screw	2
19	Mounting Bracket Hook (3in.)	1
20	Mounting Bracket	2
21	Mounting Bracket Strap	1
22	Mounting Bracket Hook (4in.)	1

Mounting Bracket Kit 104674		
16	5/16 Lockwasher	1
24	3/8 Nut	2
17	5/16 Nut	1
18	5/16 Cap Screw	1
20	Mounting Bracket	1
21	Mounting Bracket Strap	1
23	Mounting Bracket	1
25	3/8 Cap Screw	2

Typical Installation For The AD-4



AD-4 to AD-4 Service and AD-9 Changeover

AD-4 Pc. No.	AD-4 Service Pc. No.	AD-9 Service Pc.No.	AD-4 Pc. No.	AD-4 Service Pc. No.	AD-9 Service Pc.No.	AD-4 Pc. No.	AD-4 Service Pc. No.	AD-9 Service Pc.No.
65041	65041	65225	65141	N/A	65225	103961	N/A	N/A
65042	N/A	N/A	65142	N/A	N/A	104204	N/A	65226
65057	N/A	65226	65144	N/A	65228	104205	N/A	65226
65089	N/A	65227	65152	N/A	65406	104212	N/A	65226
65097	N/A	65224	103386	N/A	65224	104244	N/A	65226
65102	65102	65228	103387	N/A	65224	104249	N/A	65225
65111	N/A	65225	103388	65041	65225	104250	65041	65225
65112	N/A	N/A	103389	N/A	65225	104257	65041	65225
65114	N/A	65224	103390	N/A	N/A	104320	65041	65225
65117	N/A	N/A	103391	N/A	N/A	104321	N/A	65226
65127	N/A	65226	103951	N/A	N/A	104326	65041	65225
65129	N/A	65453	103959	N/A	65224	104377	65041	65225
65133	N/A	65225	103960	N/A	65225	104420	65041	65225

AD-4 Pc. No.	AD-4 Service Pc. No.	AD-9 Service Pc.No.	AD-4 Pc. No.	AD-4 Service Pc. No.	AD-9 Service Pc.No.	AD-4 Pc. No.	AD-4 Service Pc. No.	AD-9 Service Pc.No.
104423	N/A	65226	106706	N/A	65225	107490	N/A	65226
104438	N/A	65225	106707	N/A	N/A	107522	N/A	65226
104443	65041	65225	106708	N/A	65225	107742	65102	65228
104539	N/A	N/A	106709	N/A	65225	107750	N/A	65228
104540	N/A	N/A	106712	N/A	65453	107763	N/A	65225
104550	65041	65225	106713	N/A	65453	107764	N/A	65225
104567	N/A	65224	106714	N/A	65453	107916	N/A	65225
104581	N/A	65224	106715	N/A	65377	107965	N/A	65224
104664	N/A	65227	106716	N/A	65225	107966	N/A	65224
104665	N/A	65227	106736	N/A	65225	108316	65041	65225
104734	N/A	65225	106737	N/A	65225	108317	N/A	65225
104737	N/A	65227	106737	N/A	65225	108347	N/A	65453
104959	N/A	65228	106738	N/A	N/A	108348	N/A	65453
106124	N/A	N/A	106739	N/A	65225	108701	N/A	N/A
106125	N/A	65453	106739	N/A	65225	108702	N/A	N/A
106146	N/A	65224	106743	N/A	65225	108703	N/A	N/A
106147	N/A	65224	106744	N/A	65225			
106152	N/A	65227	106744	N/A	65225			
106153	65102	65228	106750	N/A	65226			
106251	N/A	N/A	106750	N/A	65226			
106252	N/A	N/A	106760	N/A	65226			
106254	N/A	65225	106775	N/A	65225			
106365	N/A	65225	106779	N/A	65225			
106386	N/A	65226	106829	N/A	65226			
106445	N/A	65226	106830	N/A	65226			
106446	N/A	65226	106860	N/A	65377			
106447	N/A	65226	106861	N/A	N/A			
106449	N/A	65226	106862	N/A	65377			
106455	N/A	65226	106872	N/A	65226			
106470	65041	65225	106917	N/A	65225			
106483	N/A	65224	106918	N/A	65225			
106484	N/A	65224	106919	N/A	65225			
106485	N/A	65225	106920	N/A	65228			
106691	N/A	65224	106946	N/A	65228			
106692	N/A	65225	106947	65102	65228			
106693	N/A	N/A	106948	N/A	65225			
106694	N/A	65225	106949	N/A	65225			
106695	N/A	65225	106986	65041	65225			
106696	N/A	65225	106987	N/A	65225			
106697	N/A	65225	107131	N/A	65226			
106698	N/A	N/A	107132	N/A	65226			
106699	N/A	65224	107193	N/A	65226			
106700	N/A	65227	107229	N/A	65226			
106701	N/A	65227	107235	65041	65225			
106702	N/A	65224	107286	N/A	65225			
106703	N/A	65227	107287	N/A	65377			
106704	N/A	65228	107288	N/A	65225			
106705	N/A	N/A	107289	N/A	65225			