

STOP LIGHT SWITCH

SL-3

CATALOG
06-D-3

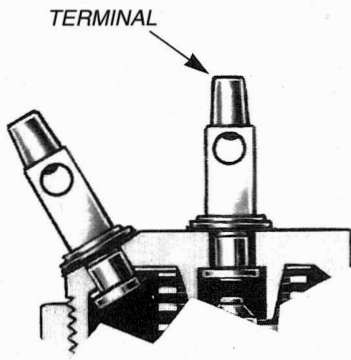
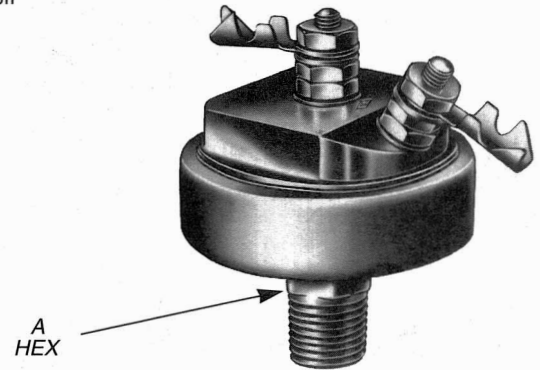
The Stop Light Switch is an Electra-Pneumatic switch. Operating in conjunction with the vehicle stop lights and service brake valve, it completes an electrical circuit each time a brake application is made.

Weight - 0.5 lbs.

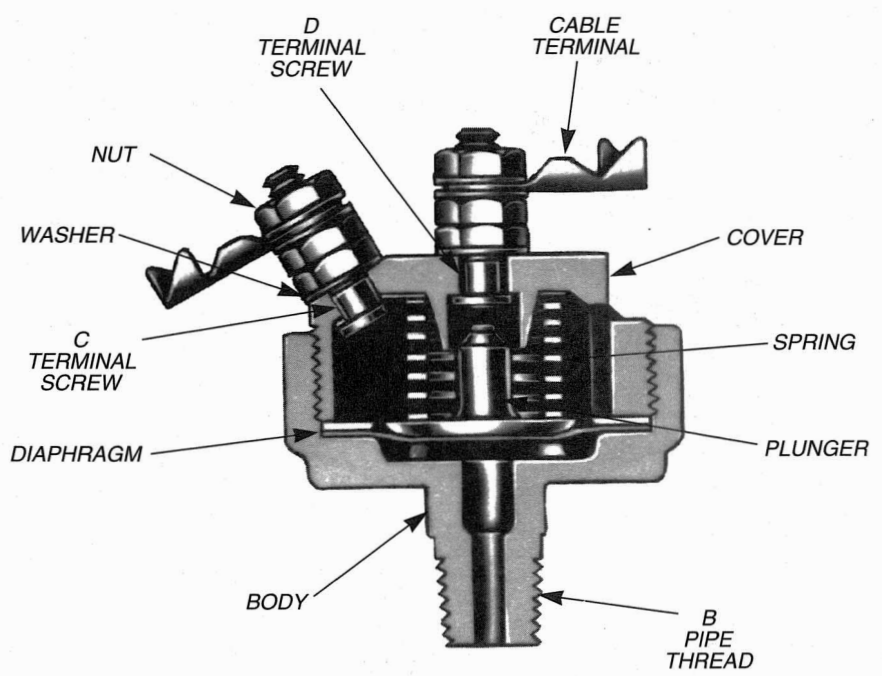
VMRS No. - 34-002-008

Device Code - 1800

The SL-3 is **non-serviceable** and is **not** available remanufactured exchange.



Partial View
Fig. 1



O.E. PIECE NO.	SERVICE PIECE NO.	DIMENSIONAL DATA				CABLE TERMINAL	TERMINAL	NUT
		A HEX	PTB RT.	C THD.	D THD.			
226262	226262	9/16	1/4	#10-32	#10-32	Yes	—	Yes
226263	226263	9/16	1/4	—	—	No	See Fig. 1	No
226411	226411	9/16	1/4	#10-32	#10-32	No	—	Yes
227699	227699	11/16	3/8	#10-32	#10-32	Yes	—	Yes
276963	226411	9/16	1/4	#10-32	#10-32	No	—	Yes
280057	226262	9/16	1/4	#10-32	#10-32	Yes	—	Yes