

The LP-2 and 3 Low Pressure Indicators are pressure sensitive, electric-pneumatic switches that are designed to give an automatic warning to the driver in the event air pressure in the service brake system is below a safe minimum for normal operations. The low pressure indicator generally activates a dash mounted light and buzzer.

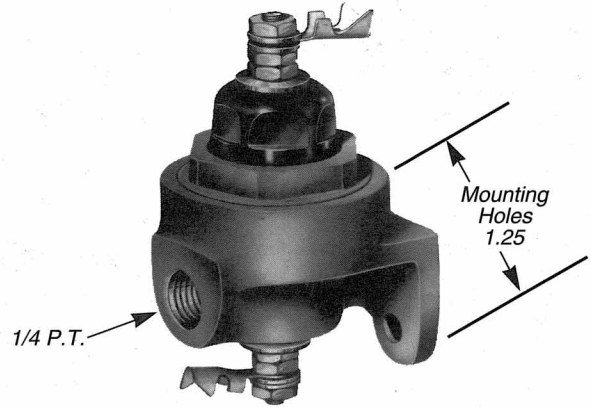
For installation and maintenance information, see Instruction and Service Data Sheet, SD-06-2.

Weight - .68 lbs.

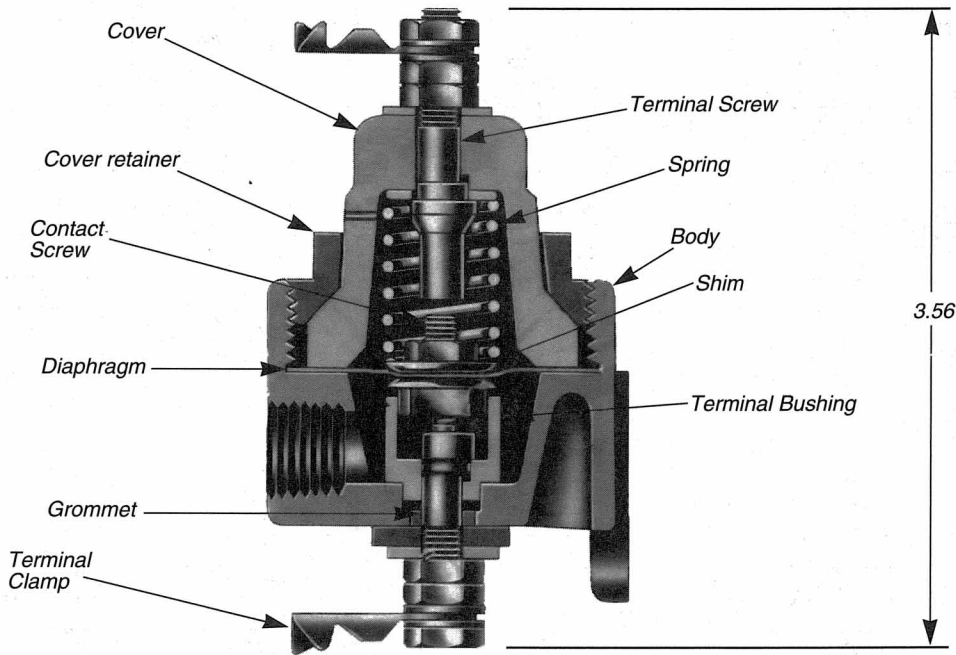
VMRS No. - 13-001-028

Device Code - 1600

The LP-2 is **not** available Remanufactured Exchange. Detail parts and kits **are not** available for repair.



LP-2  
EXTERIOR



Cross Section

Assembly Piece No.	Cut-Out Pressure PSI	Terminal Clamp	Comments
288408	54-66	No	Weatherproof
101803	57-69	Yes	—
223578	60-65	Yes	—
223870		No	—
224044	64-76	No	—