

TRAILER EMERGENCY STOP LIGHT SWITCH

TE-1

CATALOG
06-E-1

The Trailer Emergency Stop Light Switch is an electro-pneumatic switch and lights the trailer stop lights if pressure in the tractor emergency line is reduced to approximately 60 P.S.I. for any reason.

For installation and maintenance instructions, see Instruction and Service Data Sheet, SD-06-8.

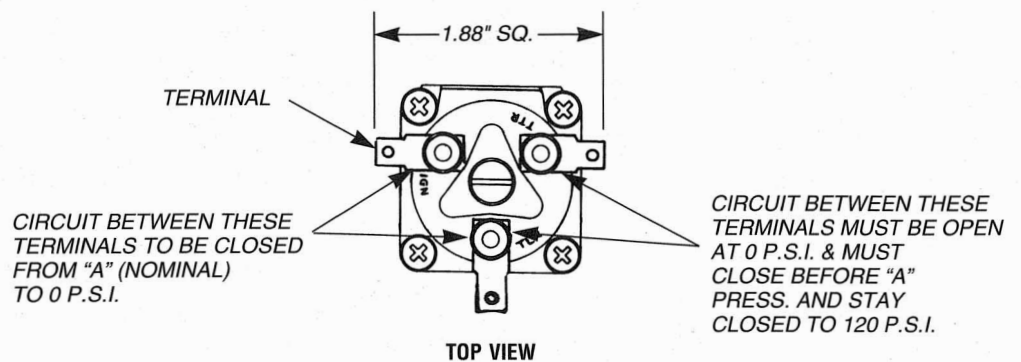
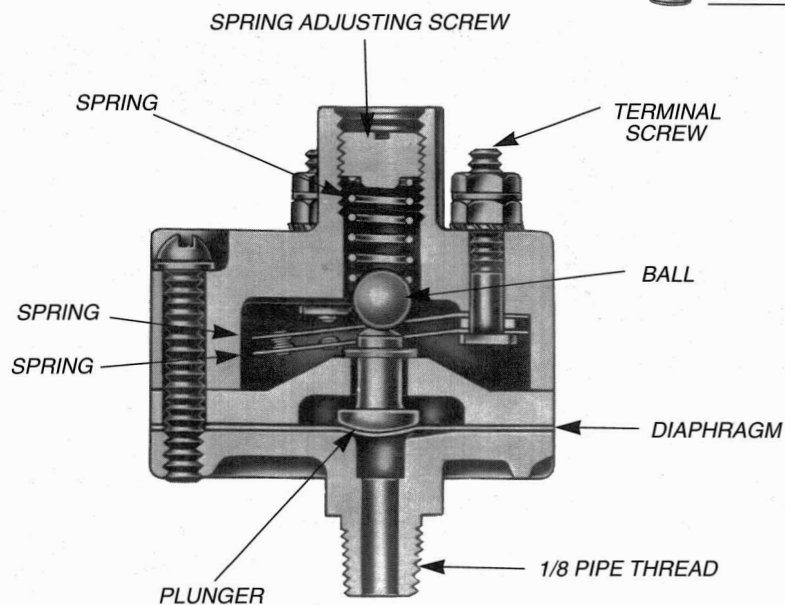
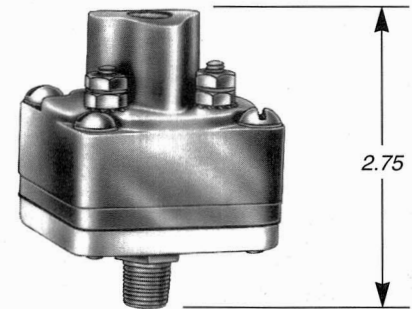
Weight - 0.5 lbs.

VMRS No. - 34-002-008

Device Code - 1801

Note: The TE-1 is **non-serviceable** & must be replaced with a complete assembly.

The TE-1 is **not** available remanufactured exchange.



O.E. PIECE NO.	SERVICE PIECE NO.	A PRESS. (P.S.I.)	TERMINAL (3)	COMMENTS
228477	228477	60	No	—
275025	275025	60	Yes	—
276779	276779	60	No	—
276780	276779	60	No	Mack
285645	285645	75	No	Terex