

# LOW PRESSURE INDICATOR

LP-3

CATALOG  
06-B-1

The LP-2 and 3 Low Pressure Indicators are pressure sensitive, electric-pneumatic switches that are designed to give an automatic warning to the driver in the event air pressure in the service brake system is below a safe minimum for normal operations. The low pressure indicator generally activates a dash mounted light and buzzer.

For installation and maintenance information, see Instruction and Service Data Sheet, SD-06-2.

Weight - .12 lbs.

VMRS No. - 13-001-028

Device Code - 1600

The LP-3 is **not** available Remanufactured Exchange. Service Parts and/or Kits **are not** available.

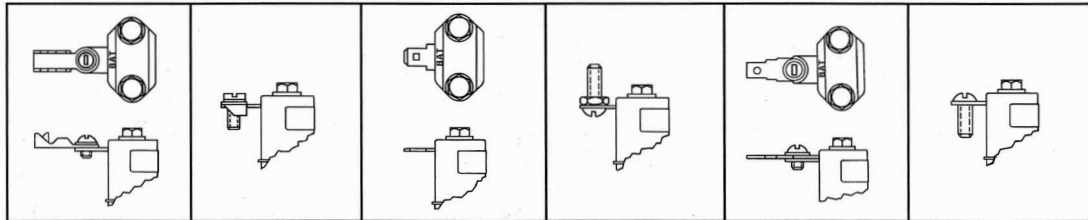
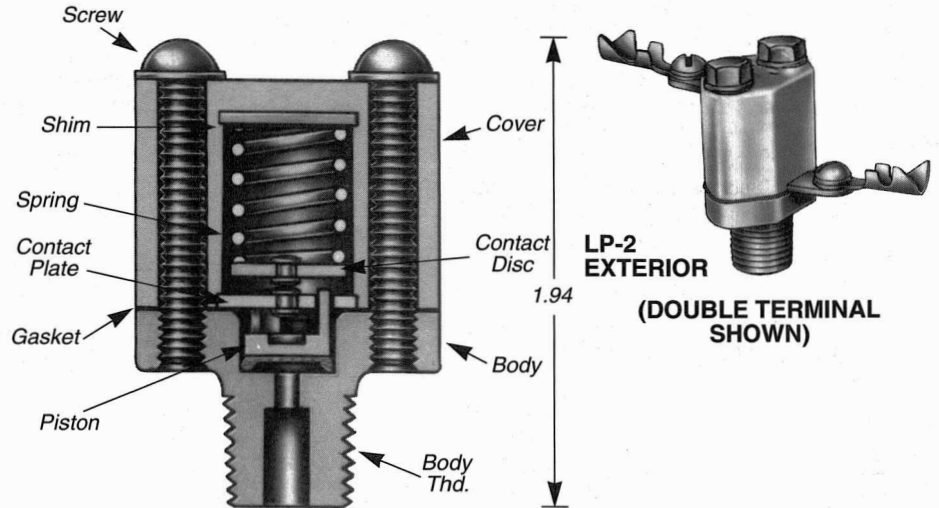


FIG. A

FIG. B

FIG. C

FIG. D

FIG. E

FIG. F

## DOUBLE TERMINAL

Assembly Piece No.	Contacts Close (PSI)	Body Thd. Size	Terminal/Clamp Type (See Fig.)	Terminal Screw
102099		1/8	A	Yes
276185	12±2	1/4	A	Yes
284874	15±3	1/4	F	Yes
108541	25±3	1/4	F	Yes
276599	30±3	1/4	E	Yes
277155	50±5	1/4	A	Yes
108480	60±6	1/8	C	No
228750		1/4	A	Yes
275024		1/4	E	Yes
276201		1/4	A	Yes
277725		1/4	F	No
280743		1/4	C	No
282998		1/8	D	Yes
283029		1/4	F	Yes
284794		1/8	F	Yes
107540	66±6	1/8	F	Yes
281679		1/8	D	Yes
281943		1/8	D	Yes
288042		1/8	F	Yes
288522		1/4	F	No
101670	70±6	1/4	A	Yes
104547		1/4	C	No
107662		1/8	F	Yes
280337		1/4	F	No
284147		1/8	F	No
284833		1/4	F	Yes
286666		1/4	A	Yes
288004		1/4	C	No
281735	90±6	1/4	F	Yes

## SINGLE TERMINAL

Assembly Piece No.	Contacts Close (PSI)	Body Thd. Size	Terminal/Clamp Type (See Fig.)	Terminal Screw
278391	60±6	1/4	B	Yes
279164		1/4	F	Yes
279416		1/4	B	Yes
282052		1/8	E	Yes
283030		1/4	E	Yes
283793		1/4	C	No
283834		1/4	F	Yes
283949		1/4	C	No
103079	66±6	1/4	C	No
104246		1/4	C	No
280530	70±6	1/4	B	Yes
286244		1/4	F	Yes
287192		1/4	C	No
101573	75±6	1/4	F	Yes
279472		1/4	F	Yes
289397		1/8	E	Yes
103080	80±6	1/4	C	No
280686		1/4	F	Yes
286512	85±6	1/4	B	Yes

## DOUBLE TERMINAL

Assembly Piece No.	Contacts Open	Body Thd. Size	Terminal Type	Terminal Screw
287824	60±5	1/4	C	No
275083	75±6	1/4	E	Yes
283708		1/4	F	No
283098	82±6	1/4	E	Yes
286685	85±6	1/4	F	Yes