

The Zeph-Air horn is an air operated, two trumpet, dual tone warning device of low air consumption. It can be controlled with any one of the several styles of horn valves listed in this catalog.

For installation and maintenance information, see Instruction and Service Data Sheet, SD-06-1.

**Weight - 4.35 lbs.**

**VMRS No. - 54-001-017**

**Device Code - 3701**

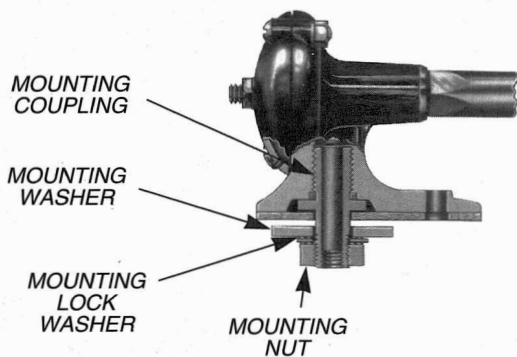
Air horns are not available Remanufactured Exchange.

### Air Horn Kits

• Kits include Horn Valve, Tubing & Fittings

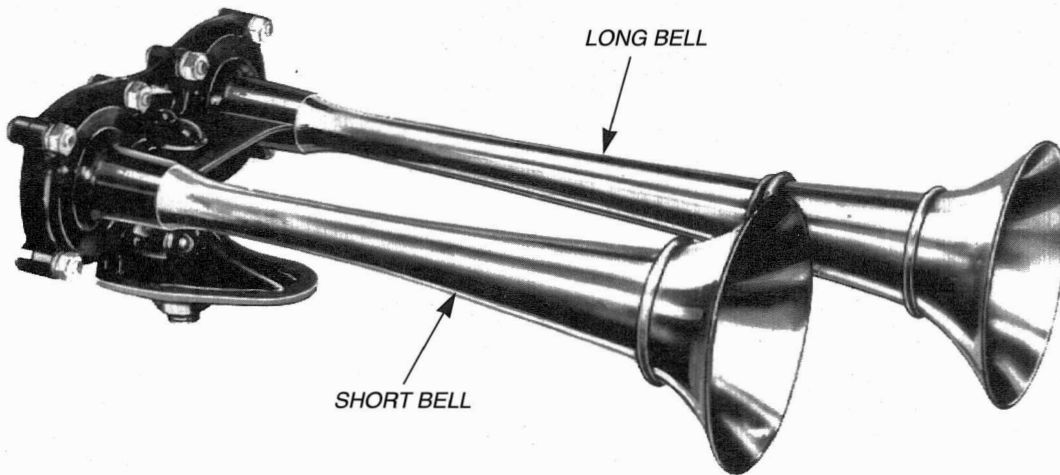
Air Horn Kits	Application Description
207945	Includes Hand Operated Horn Valve 228013
207946	Includes Foot Operated Horn Valve 228672

Refer to Catalog page 96-A-6 for kits



**NOTE:**

Bells of obsolete horns **are not** interchangeable with bells of active horns. Obsolete horn assy's. had 3/4-28 thds. New horn assy's. have 3/4-10 thds.



OBSOLETE CHANGEOVER	
OBSOLETE HORN ASSY.	SUPERCEDED BY
222205	101492
223585	101493
228278	101492
228279	101493
229650	102056
276156	101496
276158	101497
278349	101498
279192	101495
280089	102057

PH-2 AIR HORN PC. NO.	MOUNTING COUPLING PC. NO.	LONG BELL PC. NO.	SHORT BELL PC. NO.	POSITION OF LONG & SHORT BELLS	MOUNTING WASHER PC. NO.	MOUNTING LOCK WASHER PC. NO.	MOUNTING NUT PC. NO.	BELL FINISH
101492	239674	293515	293518	As Shown	231436	201777	204781	Chrome
101493	239674	293516	293519	As Shown	231436	201777	204781	Black
101495	239674	293515	293518	As Shown	—	201777	204781	Chrome
*101496	—	293515	293518	As Shown	—	—	—	Chrome
*101497	—	293515	293518	Opposite	—	—	—	Chrome
*101498	239674	293515	293518	As Shown	231436	201777	204781	Chrome
102056	239674	293516	293519	As Shown	231436	201777	204781	Unpainted
102057	239674	293516	293519	Opposite	231436	201777	204781	Black
*102058	239674	293515	293518	As Shown	231436	201777	204781	Chrome
*106943	298551	293515	293518	Opposite	—	—	—	Chrome

\*Cust. Identified