

The PG-1 Air Gauge senses air pressure, gives a reading in lbs. per sq. in. (P.S.I.). It tells how tightly the air is packed within a certain area. It does not include the volume or amount of air under pressure available.

In a dual brake system, where two separate reservoirs supply two separate braking circuits, it is recommended that two gauges be used.

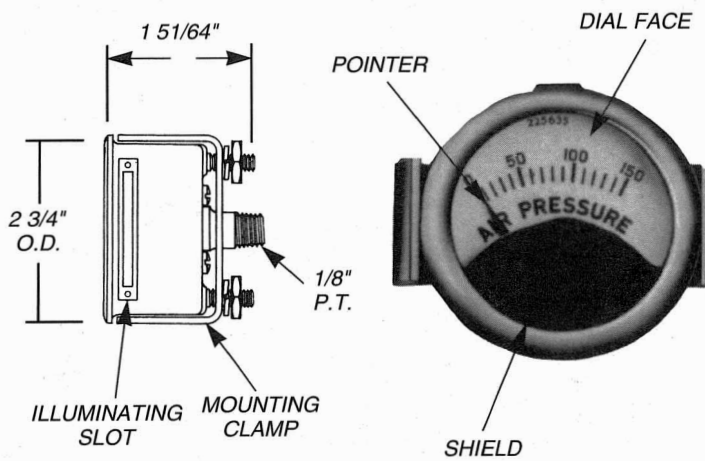
**Weight - 0.35 lbs.**

**VMRS No. - 13-001-007**

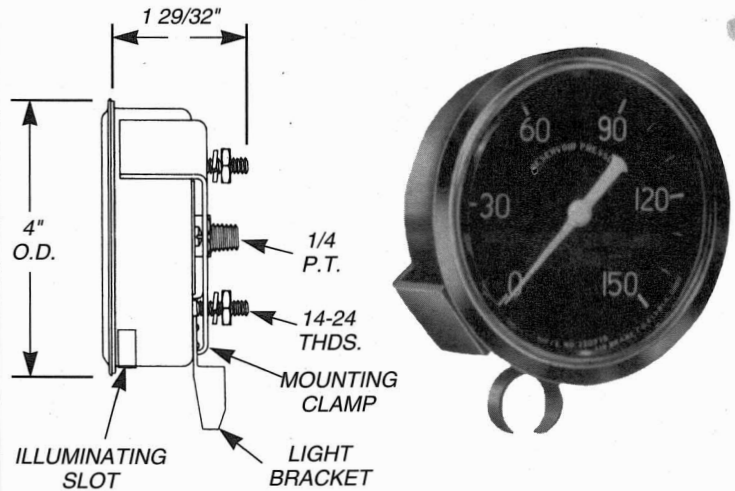
**Device Code - 1502**

The PG-1 is **non-serviceable** & must be replaced with a complete assembly.

The PG-1 is **not** available remanufactured exchange.



**PRESSURE GAUGES — DASH MOUNTED  
WITH ILLUMINATING SLOTS**  
2 1/4" Outside Diameter - Pressure Graduations 0 to 150 Lbs.



**PRESSURE GAUGES — DASH MOUNTED  
WITH ILLUMINATING SLOTS AND LIGHT BRACKET**  
4" Outside Diameter - Pressure Graduations 0 to 150 Lbs.

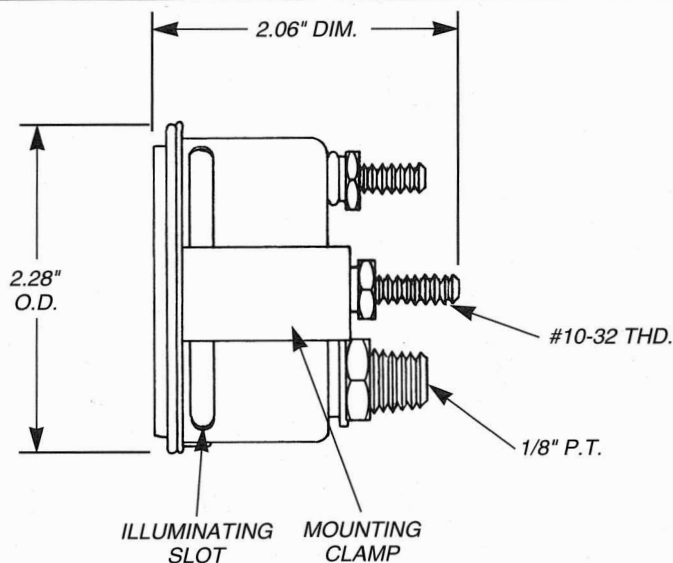
DOES NOT COMPLY WITH FMVSS #121

PRESSURE GAUGE PC. NO.	DIAL FACE COLOR	POINTER COLOR	LETTER COLOR	SHIELD COLOR
225635	ALUMINUM	RED	BLACK	BLACK

DOES NOT COMPLY WITH FMVSS #121

PG-1 PRESSURE GAUGE PC. NO.	DIAL FACE COLOR	POINTER COLOR	LETTER COLOR	SEE NOTE
216070	WHITE	BLACK	BLACK	A
220379	BLACK	WHITE	WHITE	—

A — LESS ILLUMINATING SLOTS — LESS LIGHT BRACKET.



**TYPE PG-1  
PRESSURE GAUGE — DASH MOUNTED  
WITH ILLUMINATING SLOTS**  
2.28" Outside Diameter - Pressure Graduations 0 to 200 Lbs.  
Pc. No. 281265  
COMPLIES WITH FMVSS #121 ONLY WHEN  
USED IN AIR BR. SYS. WITH COMPR. CUT-OUT  
PRESS. OF 115 P.S.I. OR MORE