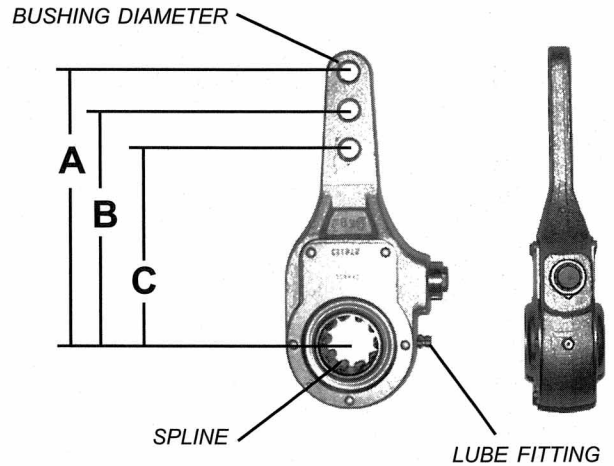


The Slack Adjuster is the link between the Air Brake System and the Mechanical Cam Type Foundation Brakes. It transforms and multiplies the lineal force of the brake chamber into a torque which applies the foundation brakes.

Slack Adjusters are equipped with an adjusting mechanism consisting of a worm and worm gear that provides a means of adjusting for brake lining wear.

While Straight Arm Slack Adjusters are most common, various arm configurations are available.

For Installation and Maintenance Information, see SD-05-1.



SELECTING A SLACK ADJUSTER

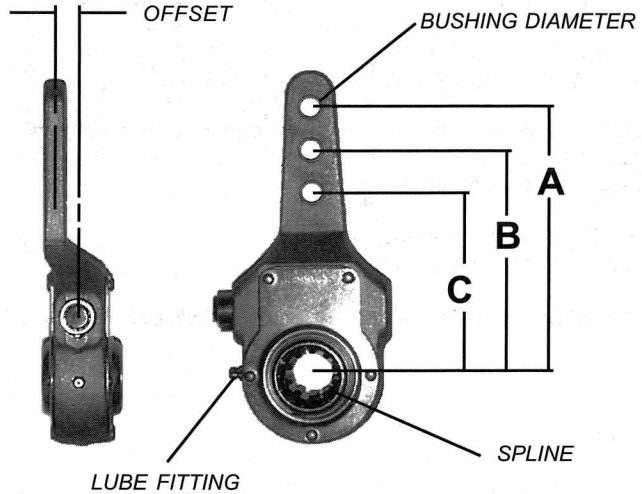
1. Determine if straight or offset arm. If offset determine if RH or LH is needed.
2. Identify spline size (diameter and number of teeth).
3. Select model needed.
4. Determine the arm hole used (if slack contains more than one).
5. Identify bushing diameter.

Piece No.	SAE Torque Rating-lbs	Spline	Teeth	Arm Length (In.)			Bushing Dia.	Lube Fitting	Fitting Direction
				A	B	C			
278302	26,000	1 1/4"	10	5.5	4.5	-	0.5	Straight	Straight
278303	26,000			6.0	5.0	-			
278305	26,000			7.0	6.0	5.0			
278312	26,000	1 1/2"	10	6.0	5.0	-	0.5	Straight	Straight
278323	26,000			7.0	6.0	5.0			
278326	26,000			6.5	5.5	4.5			
279316	26,000			5.5	4.5	-			
278008	30,000			6.5	5.5	-			
278010	30,000			6.0	5.0	-			
278045	30,000			7.0	6.0	5.0			
279634	30,000			7.75	6.75	-			
101827	26,000	1 1/2"	10	6.0	-	-	0.625	90 Deg.	Left
277959	26,000			6.5	5.5	-		Straight	Straight
102110	30,000			6.5	5.5	-		90 Deg.	Down
278016	30,000			6.5	5.5	-		Straight	Straight
278017	30,000			6.0	5.0	-		Straight	Straight
278035	30,000			7.5	5.5	-		Straight	Straight
103345	26,000	1 1/2"	28	6.0	5.0	-	0.5	90 Deg.	Down
286965	26,000			6.0	5.0	-		Straight	Straight
288753	26,000			6.5	5.5	-		Straight	Straight
289858	26,000			5.5	-	-		Straight	Straight
287899	30,000			6.5	5.5	-		Straight	Straight
101133	26,000	1 1/2"	28	6.0	5.0	-	0.625	Straight	Straight
101134	26,000			6.5	5.5	-		Straight	Straight
101220	26,000			5.5	-	-		Straight	Straight
101289	26,000			6.5	5.5	-		90 Deg.	Right
101290	26,000			6.0	5.0	-		90 Deg.	Right
102106	26,000			5.5	-	-		90 Deg.	Left
101214	30,000			6.5	5.5	-		Straight	Straight
101215	30,000			6.0	5.0	-		Straight	Straight
101216	30,000			7.0	-	-		Straight	Straight
283411	26,000			1 5/8"	37	6.0		-	-

LEFT HAND (LH) SHOWN -
RIGHT HAND (RH) OPPOSITE

**SELECTING A
SLACK ADJUSTER**

1. Determine if straight or offset arm. If offset determine if RH or LH is needed.
2. Identify spline size (diameter and number of teeth).
3. Select model needed.
4. Determine the arm hole used (if slack contains more than one).
5. Identify bushing diameter.



Piece No.	SAE Torque Rating-lbs	Spline	Teeth	Arm Length (In.)			Bushing Dia.	Lube Fitting	Offset	Handed
				A	B	C				
278288	26,000	1 1/4"	10	6.0	5.0	4.0	0.5	Straight	0.625	RH
278289				6.0	5.0	4.0				LH
278294				5.5	4.5	-				RH
278295				5.5	4.5	-				LH
286631				5.5	-	-				RH
286632				5.5	-	-				LH
278252	26,000	1 1/2"	10	5.5	4.5	-	0.5	Straight	0.625	RH
278253				5.5	4.5	-				LH
279300				5.25	-	-				RH
279301				5.25	-	-				LH
279946				7.0	6.0	-				RH
279947				7.0	6.0	-				LH
280424				6.0	5.0	4.0				RH
280425				6.0	5.0	4.0				LH
282560				6.5	5.5	-				RH
282561				6.5	5.5	-				LH
101821	20,000	1 1/2"	10	5.5	-	-	0.5	Straight	1.5	RH
101822				5.5	-	-				LH
279308				5.75	-	-				RH
279309				5.75	-	-				LH
279350				7.0	-	-				RH
279351				7.0	-	-				LH
288539				6.5	5.5	-				RH
288540				6.5	5.5	-				LH
288541				6.0	5.0	-				RH
288542				6.0	5.0	-				LH
101413	20,000	1 1/2"	28	5.5	-	-	0.5	Straight	1.5	LH
101414				5.5	-	-				RH
287896				6.5	5.5	-				RH
287897				6.5	5.5	-				LH