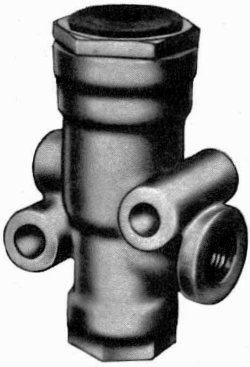
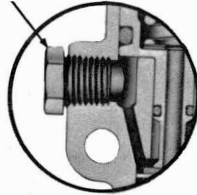


TYPE TR-3 INVERSION VALVE

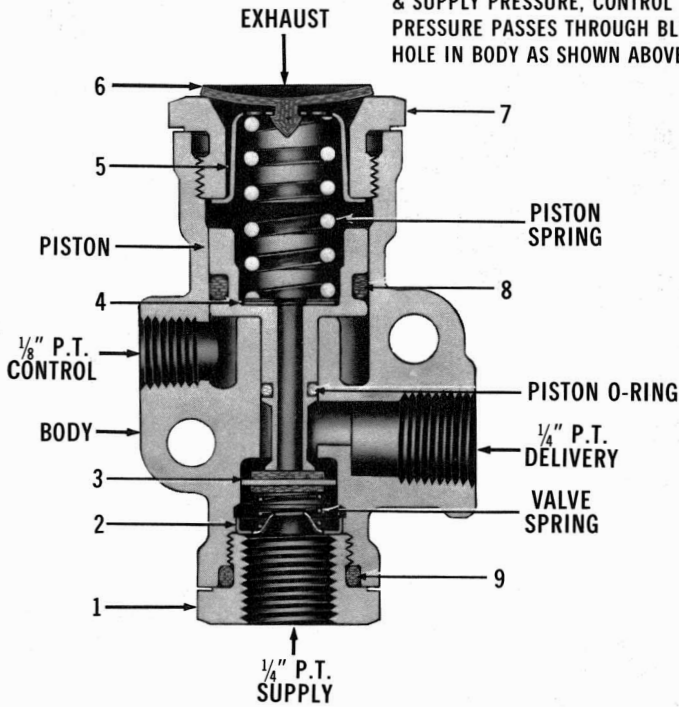
CATALOG **03-A-16B**



PIPE PLUG
232999



PC. NO. 286093 HAS CONTROL PORT PLUGGED. WITH COMMON CONTROL & SUPPLY PRESSURE, CONTROL PRESSURE PASSES THROUGH BLEED HOLE IN BODY AS SHOWN ABOVE.



THE TR-3 INVERSION VALVE IS AN AIR OPERATED CONTROL VALVE. UNLIKE OTHER VALVES, IT IS NORMALLY OPEN. IT IS CLOSED BY USING AIR PRESSURE FROM ANOTHER SOURCE. THESE VALVES ARE PRIMARILY USED IN EMERGENCY OR PARKING BRAKE SYSTEMS AND OPERATE WITH AIR FROM A RESERVOIR ISOLATED BY A CHECK VALVE, FROM THE AIR BRAKE SYSTEM. THEY CAN ALSO BE USED IN INTERLOCKING AND SEQUENCING APPLICATIONS, WHERE OPERATION OF COMPONENTS MUST TAKE PLACE IN A SPECIFIC SEQUENCE.

FOR SERVICE/MAINTENANCE, SEE SERVICE DATA SHEET SD-03-65.

WEIGHT - .6 LBS.
VMRS. NO. 13-010-047
DEVICE CODE IS 4650.

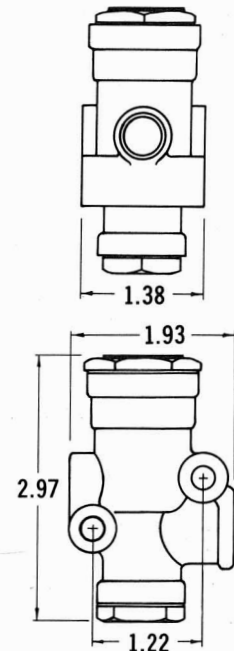
COMMON SERVICE PARTS

NO.	PC. NO.	QUAN.	DESCRIPTION
1	202620	1	CAP
2	243646	1	VALVE STOP
3	249534	1	VALVE
4	245419	AS REQD.	SHIM WASHER .016"
	245420	AS REQD.	SHIM WASHER .032"
5	245258	1	DIAPHRAGM RETAINER
6	244669	1	DIAPHRAGM
7	245259	1	EXHAUST NUT
8	235063	1	PISTON O-RING
9	214747	1	O-RING

WITH COMMON CONTROL & SUPPLY PRESSURE INLET OPENS AT "A" P.S.I. DESCENDING PRESSURE AND EXHAUST OPENS AT "B" P.S.I. ASCENDING PRESSURE.

SUB. ASSY. AND DETAIL REFERENCE

TR-3 INVERSION VALVE PC. NO.	FOR SERVICE OR REMFR. EXCH. USE PC. NO.	CUSTOMER IDENTIFICATION	PISTON SPRING PC. NO.	BODY PC. NO.	VALVE SPRING PC. NO.	PISTON PC. NO.	PISTON O-RING PC. NO.	A P.S.I.	B P.S.I.
101450	101450	NONE	245879	293484	241205	293483	240542	25	40
A 101781	101781	NONE	293953	245407	241205	245257	240540	14	16
A 101836	101781	IHC-507543-C91	293953	245407	241205	245257	240540	14	16
280758	280758	NONE	245408	245407	241205	245257	240540	45	60
281053	280758	CAT-6D-1039	245408	245407	241205	245257	240540	45	60
281318	281318	NONE	245408	245407	245696	245257	240540	35	70
281459	281459	NONE	245879	245407	241205	245257	240540	25	40
281927	281927	CAT-8S-3356	245408	245407	241205	246274	240540	45	65
284146	284146	NONE	245408	245407	241205	245257	240540	50	60
B 286093	286093	CAT-9D-341	245408	245711	241205	245257	240540	45	60
288586	288586	NONE	245408	245407	241205	245257	240540	75	90
289288	289288	NONE	245879	245407	241205	245257	240540	42	52



A-OMIT ITEM 4.
B-SEE PARTIAL VIEW