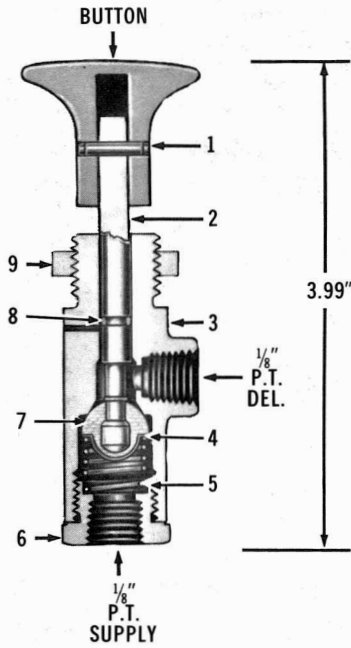


RD-2 PUSH VALVE

CATALOG 03-A-10B



VMRS NO. 03-010-007

RD-2 NOT AVAILABLE IN REMFR. EXCH.

SUB ASSY. AND DETAIL REFERENCE

RD-2 PUSH VALVE PC. NO.	CUSTOMER IDENTIFICATION	FOR SERVICE USE PC. NO.	BUTTON PC. NO.
277000*	NONE	277000	241830
278346	MACK 20QE287PI	277000	241830
278963	NONE	278963	243816
281109	NONE	281109	245516
285743	NONE	285743	249846

*THIS VALVE USED WITH DV-1 BELOW

COMMON SERVICE PARTS

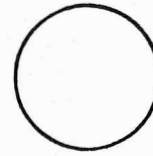
NO.	PC. NO.	QUAN.	DESCRIPTION
1	241556	1	SPIROL PIN
2	241829	1	STEM
3	241828	1	BODY
4	238687	1	SPRING SEAT
5	235729	1	SPRING
6	234840	1	CAP NUT
7	238686	1	INLET VALVE
8	234305	1	GROMMET, 9/32" O.D.
9	234333	1	NUT



BUTTON 241830



BUTTON 243816

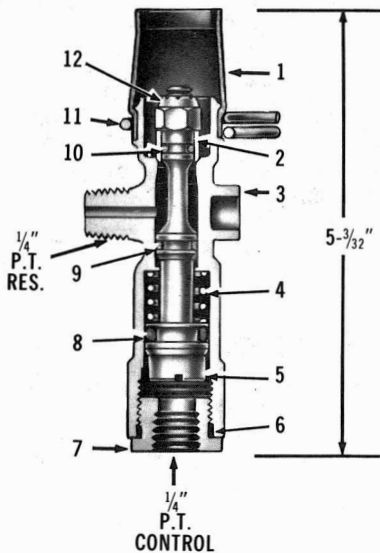


BUTTON 245516



BUTTON 249846

TYPE DV-1 REMOTE CONTROL DRAIN VALVE



VMRS NO. 03-010-007

DV-1 NOT AVAILABLE IN REMFR. EXCH.

DV-1 REMOTE CONTROL DRAIN VALVE

PC. NO. 277120

NO.	PC. NO.	QUAN.	DESCRIPTION	NO.	PC. NO.	QUAN.	DESCRIPTION
1	241855	1	BOOT	7	241853	1	CAP NUT
2	241854	1	VALVE	8	242393	1	GROMMET .625
3	241850	1	BODY	9	240543	1	GROMMET 1/2"
4	241851	1	SPRING	10	240542	1	GROMMET 3/8"
5	241852	1	PLUNGER	11	241856	1	HOSE CLAMP
6	231551	1	O-RING 15/16" O.D.	12	230402	1	E.S.N.A. NUT