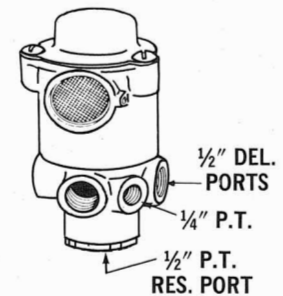
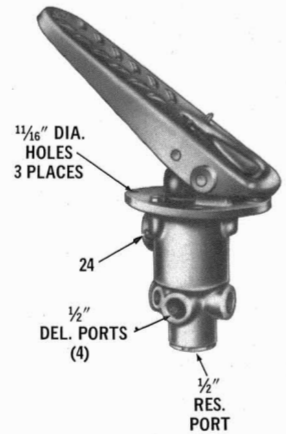
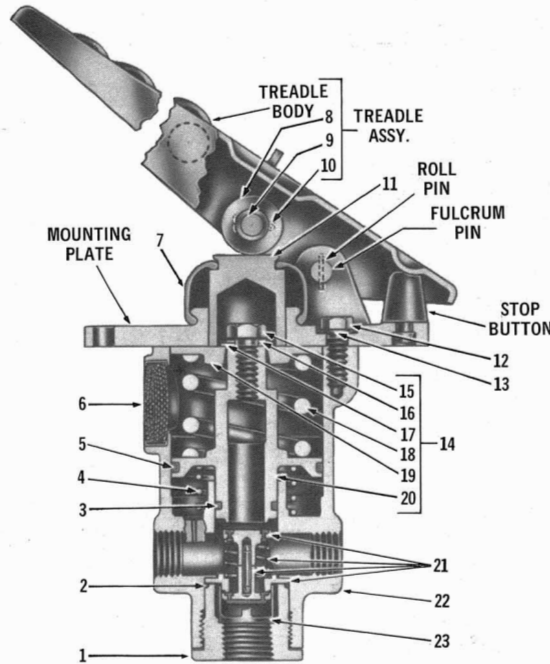


BRAKE VALVE TYPE E-1

The Type E-1 Brake Valve is a graduating, directional control valve generally used to control all the service brakes on a vehicle. The most popular configuration utilizes a pedal. However, other types of actuating means are available.

The single circuit brake valve such as the Type E-1 is used in the single circuit system.

For installation and maintenance information, see Type E-1 Maintenance Pamphlet.



REMFR. EXCH.
BR. VALVE
228429

TYPE E-1 BRAKE VALVE O.E. PC. NO.	REMFR. EXCH.* PC. NO.	REFERENCE DETAILS					
		TREADLE ASSY. PC. NO.	TREADLE BODY PC. NO.	FULCRUM PIN PC. NO.	ROLL PIN PC. NO.	STOP BUTTON PC. NO.	MOUNTING PLATE PC. NO.
226836	228429	226834	226835	238888	235212	236980	236979
A228125	228429	NONE	NONE	NONE	NONE	236980	236979
A228853	228429	NONE	NONE	NONE	NONE	235916	236979
229937	228429	229938	229939	238888	235212	236980	236979
A283296	228429	NONE	NONE	NONE	NONE	NONE	243305

A—Omit Items 8, 9 & 10.

*—Reference View Of Remfr. Exch. Br. Valve 228429.

MAJOR MAINTENANCE KIT 289322

NO.	QTY. REQ.	DESCRIPTION
1	1	Inlet Nut
4	1	Piston Return Spring
6	1	Filter Screen
14	1	Piston & Spring Ass'y
15	1	Cap Screw
16	1	Shake Proof Lk. Washer
17	1	Washer
18	1	Graduating Spring
19	1	Graduating Spring Seat
20	1	Piston
23	1	Inlet Valve Guide
24	2	Tapping Screw

Note: Item 22 (Body) Not Serviceable

MINOR MAINTENANCE KIT 229426

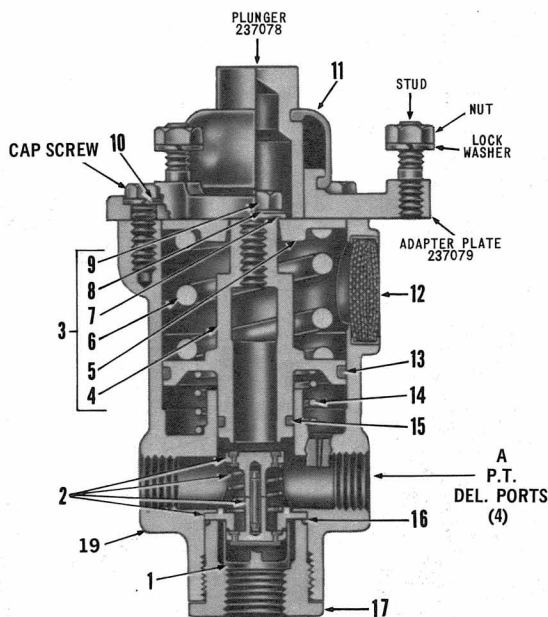
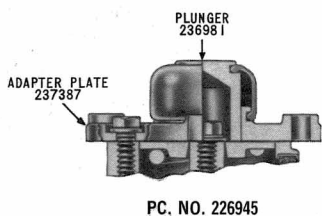
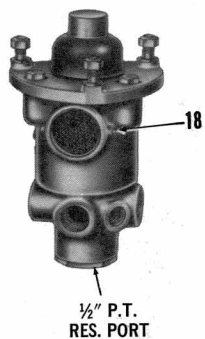
NO.	QTY. REQ.	DESCRIPTION
2	1	O-Ring
3	1	O-Ring
5	1	O-Ring
7	1	Boot
21	1	Inlet & Exhaust Valve Ass'y

FOLLOWING PC. NOS. AVAILABLE ONLY IN MIN. QTYS. SEE PRICE LIST FOR QTYS.

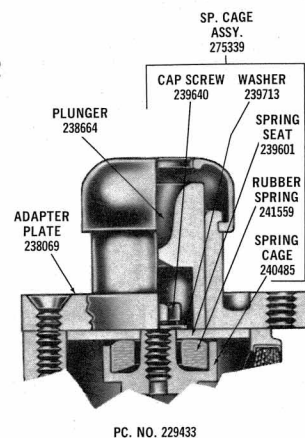
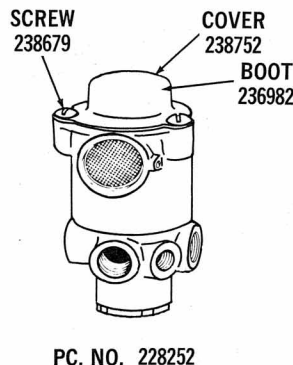
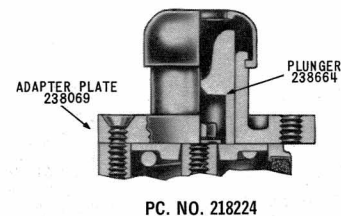
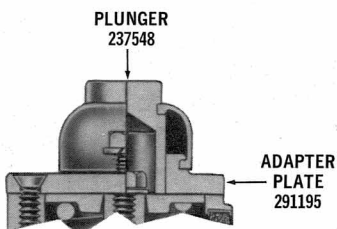
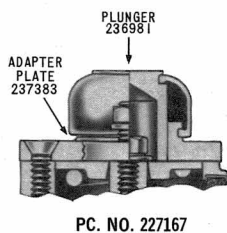
NO.	PC. NO.	QTY. REQ.	DESCRIPTION
8	236288	1	Roller
9	238474	1	Roller Pin
10	210492	1	Cotter Pin
11	236981	1	Plunger
12	202979	3	Cap Screw
13	202982	3	Lock Washer

Additional Pc. Nos. Listed on this page
Are Available in Min. Qtys. per Price List.

**BRAKE VALVE
TYPE E-1**



PC. NO. 226944



TYPE E-1 BRAKE VALVE O. E. PC. NO.	REMFR. EXCH.* PC. NO.	REFERENCE DETAILS								
		BODY PC. NO.	ADAPTER PLATE PC. NO.	PLUNGER PC. NO.	STUD PC. NO.	NUT PC. NO.	LOCK WASHER PC. NO.	CAP SCREW PC. NO.	A P.T. DEL. PORTS	
226944	228429	236969	237079	237078	202999	203145	202982	202979	1/2	
226945	228429	236969	237387	236981	NONE	NONE	NONE	202979	1/2	
A227167	228429	236969	241195	236981	211341*	203004	202983	236391	1/2	
B227259	228429	236969	291195	237548	NONE	NONE	202983	236391	1/2	
A228224	228430	238152	238069	238664	NONE	NONE	NONE	238153	3/8	
AC228852	228429	236969	NONE	NONE	NONE	NONE	NONE	NONE	1/2	
AD229433	275342	238152	238069	238664	NONE	NONE	NONE	238153	3/8	

A—Omit Item 10.
B—Uses Cap Screw 210897 Instead of Stud & Nut.

C—Includes Pipe Plug, 234568.
D—Replace Items 3 Thru 9 With Parts Shown In Partial View.
*Two (2) Only.

REMFR. EXCH. BR. VALVES
228429—1/2" DEL. PORTS
228430—3/8" DEL. PORTS
275342—3/8" DEL. PORTS
(RUBBER SPRING)

MAJOR MAINTENANCE KIT 289322

NO.	QTY. REQ.	DESCRIPTION
1	1	Inlet Valve Guide
3	1	Piston & Spring Ass'y
4	1	Piston
5	1	Graduating Spring Seat
6	1	Graduating Spring
7	1	Washer
8	1	Shakeproof Lock Washer
9	1	Cap Screw
12	1	Filter Screen
14	1	Piston Return Spring
17	1	Inlet Nut
18	2	Tapping Screw

Note: Item 19 (Body) not Serviceable

MINOR MAINTENANCE KIT 229426

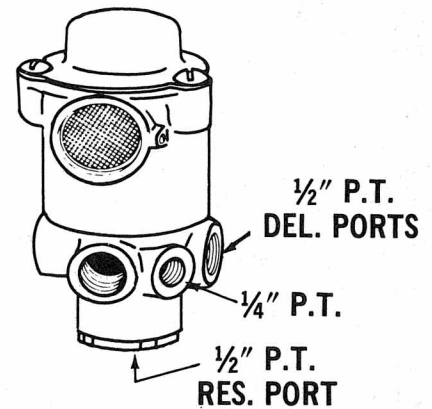
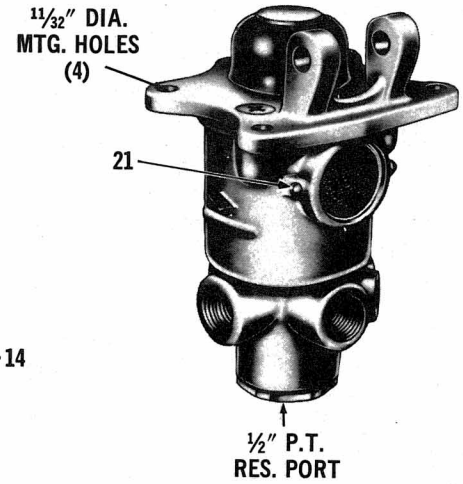
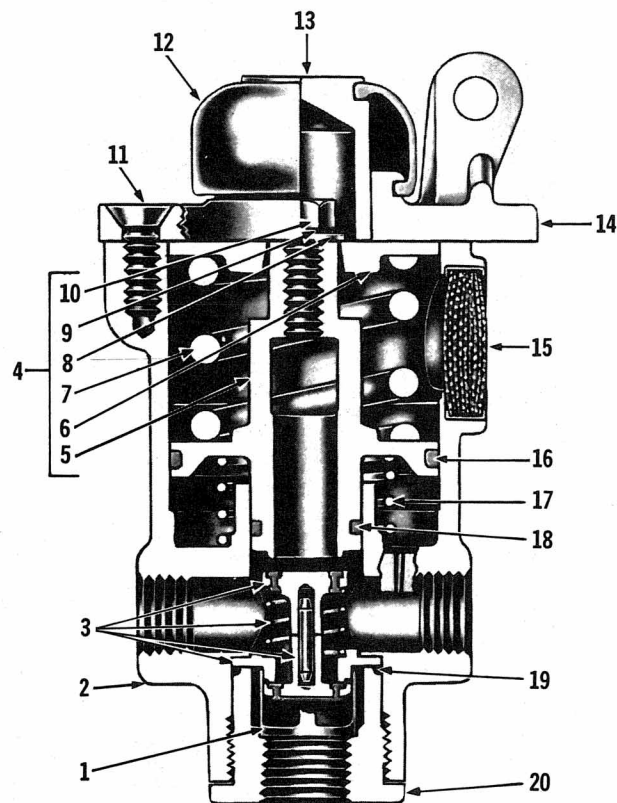
NO.	QTY. REQ.	DESCRIPTION
2	1	Inlet & Exhaust Valve Ass'y
11	1	Boot
13	1	O-Ring
15	1	O-Ring
16	1	O-Ring

**FOLLOWING PC. NOS. AVAILABLE ONLY
IN MIN. QTY. SEE PRICE LIST FOR QTY.**

NO.	PC. NO.	QTY. REQ.	DESCRIPTION
10	202982	3	Lockwasher

Additional Pc. Nos. Listed on this page
Are Available in Min. Qty. per Price List

**BRAKE VALVES
TYPE E-1**



***REMFR. EXCH.
BR. VALVE
PC. NO. 228429**

TYPE E-1 BRAKE VALVE O. E. PC. NO.	REMFR. EXCH.* PC. NO.
227818	228429

MAJOR MAINTENANCE KIT 289322

NO.	QTY. REQ.	DESCRIPTION
1	1	Inlet Valve Guide
4	1	Piston & Spring Ass'y
5	1	Piston
6	1	Graduating Spring Seat
7	1	Graduating Spring
8	1	Washer
9	1	Shakeproof Lockwasher
10	1	Cap Screw
15	1	Filter Screen
17	1	Piston Return Spring
20	1	Inlet Nut
21	2	Tapping Screw

Note: Item 2 (Body) Not Serviceable

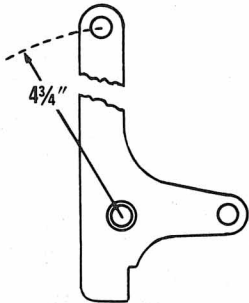
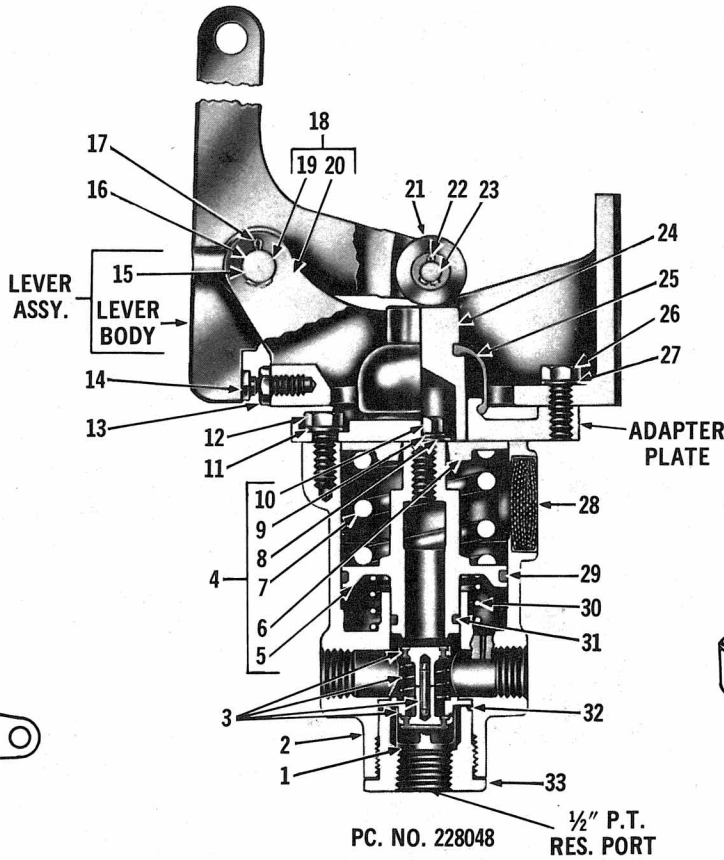
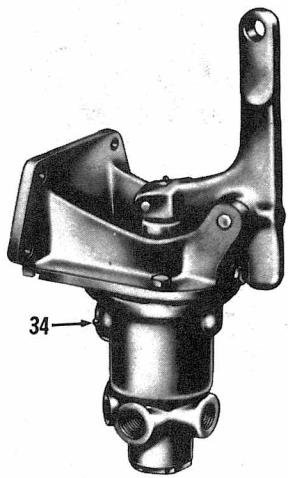
MINOR MAINTENANCE KIT 229426

NO.	QTY. REQ.	DESCRIPTION
3	1	Inlet & Exhaust Valve Ass'y
12	1	Boot
16	1	O-Ring
18	1	O-Ring
19	1	O-Ring

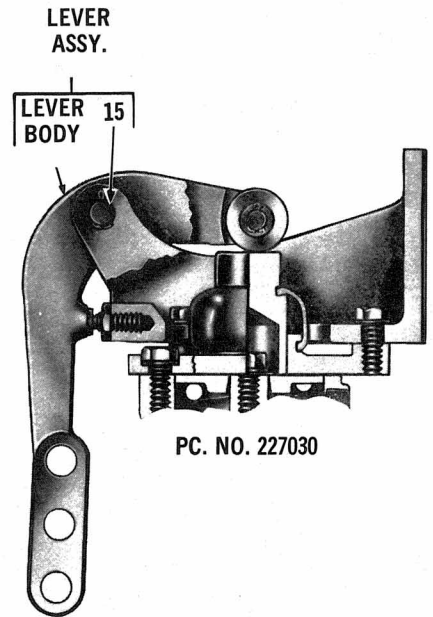
**FOLLOWING PC. NOS. AVAILABLE ONLY
IN MIN. QTY. SEE PRICE LIST FOR QTY.**

NO.	PC. NO.	QTY. REQ.	DESCRIPTION
11	236391	3	Cap Screw
13	236981	1	Plunger
14	238105	1	Mounting Plate

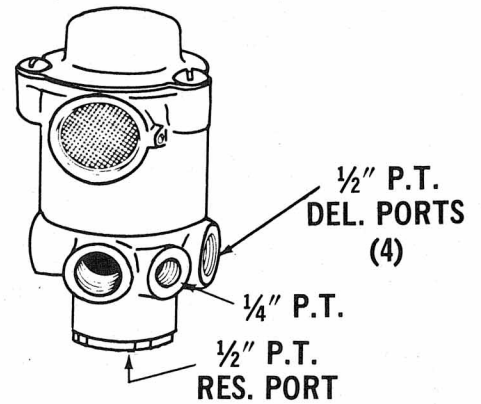
Additional Pc. Nos. listed on this page
Are Available in Min. Qty. per Price List.



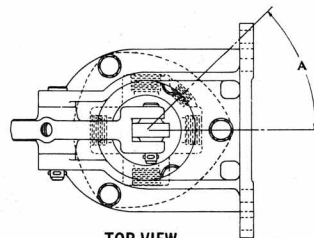
LEVER BODY



PC. NO. 227030



*REMFR. EXCH.
BR. VALVE
PC. NO. 228429



TOP VIEW

TYPE E-1 BRAKE VALVE O. E. PC. NO.	REMFR. EXCH.* PC. NO.	REFERENCE DETAILS		
		LEVER ASSY. PC. NO.	LEVER BODY PC. NO.	ADAPTER PLATE PC. NO.
227030	228429	222091	231230	237221
228048	228429	223258	231731	237221

MAJOR MAINTENANCE KIT 289322

NO.	QTY. REQ.	DESCRIPTION
1	1	Inlet Valve Guide
4	1	Piston & Spring Ass'y
5	1	Piston
6	1	Graduating Spring Seat
7	1	Graduating Spring
8	1	Washer
9	1	Shakeproof Lock Washer
10	1	Cap Screw
28	1	Filter Screen
30	1	Piston Return Spring
33	1	Inlet Nut
34	1	Tapping Screw

Note: Item 2 (Body) Not Serviceable

MINOR MAINTENANCE KIT 229426

NO.	QTY. REQ.	DESCRIPTION
3	1	Inlet & Exhaust Valve Ass'y
25	1	Boot
29	1	O-Ring
31	1	O-Ring
32	1	O-Ring

**FOLLOWING PC. NOS. AVAILABLE ONLY
IN MIN. QTY. SEE PRICE LIST QTY.**

NO.	PC. NO.	QTY. REQ.	DESCRIPTION
11	202982	3	Lockwasher
12	202979	3	Cap Screw
13	230903	1	Locknut
14	232419	1	Adjusting Screw
15	211332	2	Bushing
16	238547	1	Pin
17	210492	1	Cotter Pin
18	222090	1	Mounting Bracket Ass'y
19	210636	2	Bushing
20	231231	1	Mounting Bracket Body
21	211026	1	Roller
22	231664	1	Cotter Pin
23	238479	1	Pin
24	237078	1	Plunger
26	203414	3	Cap Screw
27	203505	3	Lockwasher

Additional Pc. Nos. Listed on this page
Are Available in Min. Qty. per Price List.