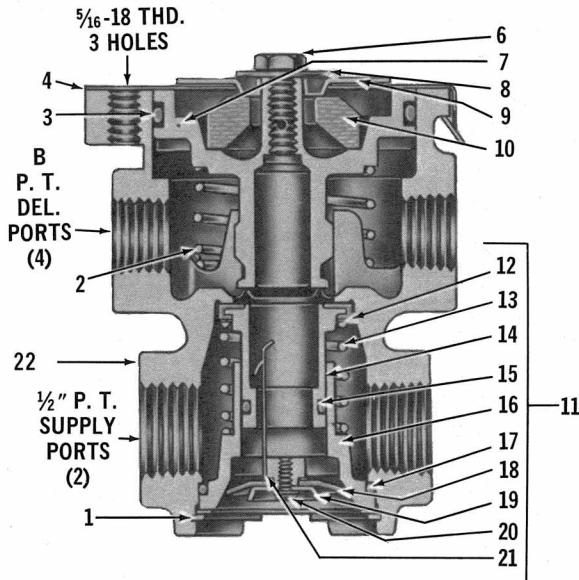
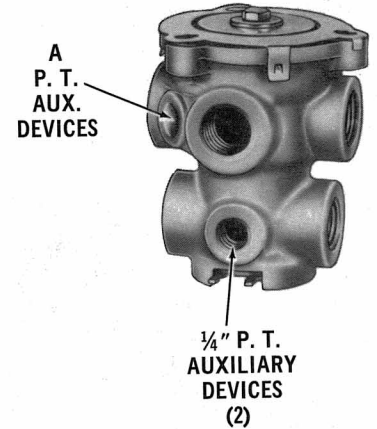


The brake valve is a graduating directional control valve and is generally used to control all the service brakes on a vehicle. The most popular configuration utilizes a pedal. However, other types of actuating means are available.

The single circuit valve such as the E-3 is used in single circuit systems.

For installation and maintenance information, see Instruction and Service Data Sheet SD-33.



**E-3 BRAKE VALVE  
(BASIC)**

### SERVICE/REMANUFACTURED E-3 BRAKE VALVES (BASIC)

E-3 BRAKE VALVE PC. NO.	A PIPE THD. (AUX. DEVICES)	B PIPE THD. (DELIVERY)
277863	—	1/2"
278998	1/4"	1/2"
279040	—	3/8"

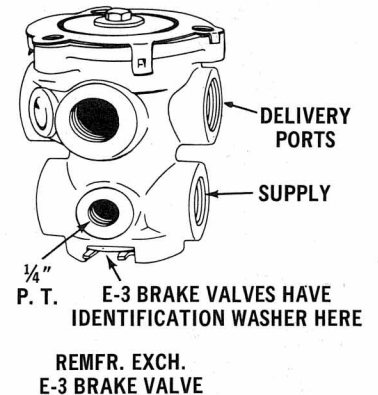
### MAJOR MAINTENANCE KIT 289329

NO.	QTY. REQ.	DESCRIPTION
2	1	Piston Return Spring
4	1	Retainer
6	1	Hex Head Cap Screw
7	1	Piston
8	1	Special Washer
9	1	Spring Seat

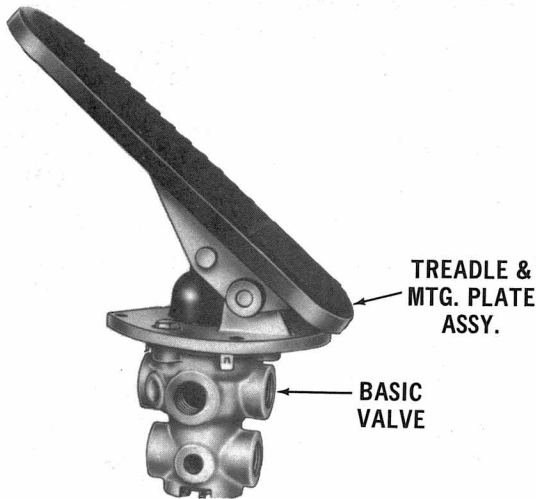
### MINOR MAINTENANCE KIT 276119

NO.	QTY. REQ.	DESCRIPTION
1	1	Retaining Ring
3	1	O-Ring
10	1	Rubber Spring
11	1	Inlet-Exhaust Valve Ass'y
12	1	Valve Retainer
13	1	Valve Spring
14	1	Inlet-Exhaust Valve
15	1	O-Ring
16	1	Exhaust Check Valve Seat
17	1	O-Ring
18	1	Diaphragm
19	1	Diaphragm Washer
20	1	Pan Head Screw
21	1	Inlet Vlv. Preload Spring

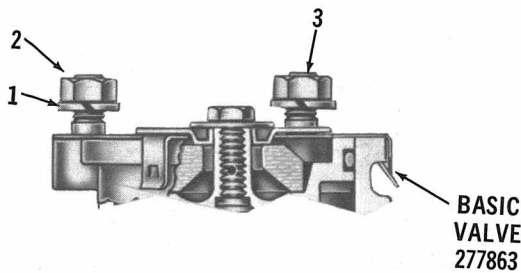
Note: Item 22 (Body) Not Serviceable  
Additional Pc. Nos. Listed on this Page  
Are Available in Min. Qtys. per Price List.



**E-3 BRAKE VALVE  
(TREADLE TYPE)  
CONVERSION LIST**



SEE PG. 1 FOR BASIC VALVE DETAILS;  
PG. 3 FOR TREADLE & MTG. PLATE DETAILS.



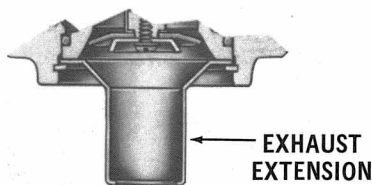
**PARTIAL VIEW SHOWING  
E-3 BRAKE VALVE  
PC. NO. 278654**

NO.	PC. NO.	QUAN.	DESCRIPTION
1	202982	3	Lock Washer
2	203145	3	Nut
3	212292	1	Stud

O. E. BRAKE VALVE PC. NO.	SERVICE/ REMFR. (BASIC) PC. NO.	TREADLE & MTG. PLATE ASSY. PC. NO.
275242	277863	279751
276182	277863	275732A
276333	277863	See Note
276769	277863	275732A
276802	277863	280370B
277863	277863	None
278352	277863	280038
278654	277863C	None
278655	277863	279752
278953	277863D	None
278997	277863	275732A
278998	278998	None
279014	277863	281433
279040	279040	None
279076	277863	280870
279273	277863	288570
279322	279040	279751
279363	279040	279752
279364	277863	288570
279637	277863	279751
279820	277863D	288570
279857	277863	See Note
279873	277863C	None
279886	278998	280038
280760	277863	281421
280761	277863	281422
281149	277863	281671
281219	277863	276412A
281287	277863	288852
281875	279040	See Note
281959	277863	275747A
282038	277863	283716AE
283483	277863	See Note
283853	277863	280370B
285565	277863	279751
285679	277863	280038
286047	277863	285825
287429	277863	288852

- A—Add Three (3) Screw, 243046.
- B—Add Three (3) Screw, 203821 & Three (3) L.W., 202982.
- C—Add Three (3) L.W., 202982, Three (3) Nut, 303145 & Three (3) Stud, 212292. (See Partial View)
- D—Add Exhaust Extension, 239676. (See Partial View)
- E—Add Treadle Assy., 228282.

**NOTE:** Treadle & Mtg. Plate Assemblies Not Available For These E-3 Brake Valves. Purchase Details Separately As Listed in Schedule Below:



**PARTIAL VIEW SHOWING  
EXHAUST EXTENSION**

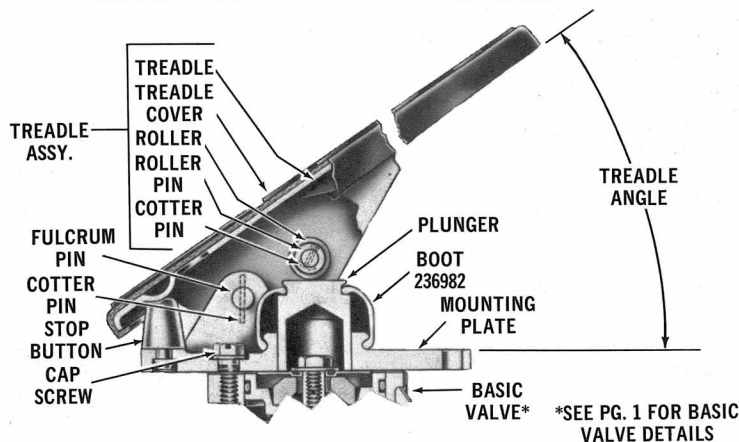
**TREADLE & MOUNTING PLATE DETAILS**

E-3 BRAKE VALVE PC. NO.	TREADLE ASSY. PC. NO.	MTG. PLATE PC. NO.	PLUNGER PC. NO.	STOP BUTTON PC. NO.	FULCRUM PIN PC. NO.	ROLL PIN OR COTTER PIN PC. NO.	CAP SCREW PC. NO.	LOCK WASHER PC. NO.	BOOT PC. NO.
276233	276322	236979	236981	236980	238438	210492	202979	202982	236982
279857	279955	244589	237074	236980	238438	210492	236391	—	236224
281875	281873	245721	244875	236980	238888	235212	204239	202982	236982
283483	281824	240189	237548	236196*	238438	210492	203821	202982	236982

\*Add Nut 230250

**All Pc. Nos. Listed on this Page  
Are Available in Min. Qty. per Price List.**

TREADLE & MOUNTING PLATE ASSEMBLIES

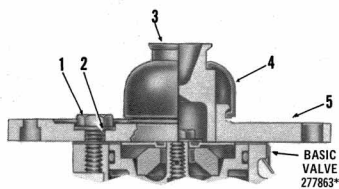


REFERENCE DETAILS

TREADLE & MOUNTING PLATE ASSEMBLY PC. NO.	MTG. PLATE PC. NO.	FULCRUM PIN PC. NO.	ROLL PIN OR COTTER PIN PC. NO.	TREADLE ASSY. PC. NO.	TREADLE PC. NO.	ROLLER PC. NO.	ROLLER PIN PC. NO.	COTTER PIN PC. NO.	TREADLE ANGLE	PLUNGER PC. NO.	STOP BUTTON PC. NO.	CAP SCREW PC. NO.	LOCK WASHER PC. NO.
275732	236979	238888	235212	229938	229939A	236288	238474	210492	41°	237074	240137	243046*	—
275747	236979	238888	210067	275566	226835	239124	238474	210492	41°	236981	240137	243046*	—
276412	241500	238888	210067	279280	278456	239124	238474	210492	50°	241501	236980	243046*	—
279751	236979	238888	210067	228484	228281	238806	238474	210492	27°	236981	236980	202979	202982
279752	236979	238888	210067	275407	275460A	238806	238474	210492	27°	236981	236980	243046	—
280038	236979	238888	210067	226834	226835	236288	238474	210492	34°	236981	236980	202979	202982
280370	240189	238888	235212	276805	229939A	238806	238474	210492	27°	237548	239512B	203821*	202982*
280870	245720	238888	210067	226834	226835	236288	238474	210492	34°	242094	236980	203821	202982
281421	245721	238888	210067	229938	229939A	236288	238474	210492	34°	244875	236980	204239	202982
281422	245721	238888	210067	275407	275460A	238806	238474	210492	27°	244875	236980	204239	202982
281433	236979	—	—	—	—	—	—	—	—	236981	236980	202979	202982
281671	236979	238888	235212	281670	279277	238806	238474	210492	27°	236981	236980	202979	202982
283716	243807	238888	210067	—	—	—	—	—	—	235814	239512B	243046*	—
285825	243807	238888	235212	283659	275460A	238670	238474	210492	17°	235814	239512B	202979	202982
288570	236979	238888	210067	229938	229939A	236288	238474	210492	34°	236981	236980	202979	202982
288852	241500	238888	235212	281309	229939A	239124	238474	210492	50°	241501	236980	202979	202982

A—Add Treadle Cover, 240069  
B—Add Nut, 230250

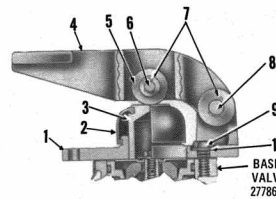
\*Cap Screw & L.W. Are Not Supplied With Treadle & Mtg. Plate Assy. They Must Be Ordered Separately.



E-3 BRAKE VALVE  
PC. NO. 275263

NO.	PC. NO.	QUAN.	DESCRIPTION
1	202979	3	Cap Screw
2	202982	3	Lock Washer
3	240447	1	Plunger
4	236982	1	Boot
5	240446	1	Mounting Plate

\*See Pg. 1 for Basic Valve details.



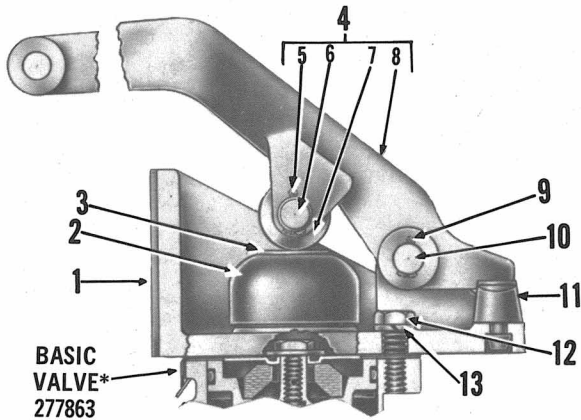
E-3 BRAKE VALVE  
PC. NO. 275296

NO.	PC. NO.	QUAN.	DESCRIPTION
1	240443	1	Mounting Plate
2	236982	1	Boot
3	236981	1	Plunger
4	240444	1	Lever
5	211025	1	Roller
6	238479	1	Roller Pin
7	210492	2	Cotter Pin
8	240445	1	Fulcrum Pin
9	202979	3	Cap Screw
10	202982	3	Lock Washer

\*See Pg. 1 for Basic Valve details.

**NOTE:**  
**USE 275296**  
**AS SERV. REPL.**  
**FOR 276181**

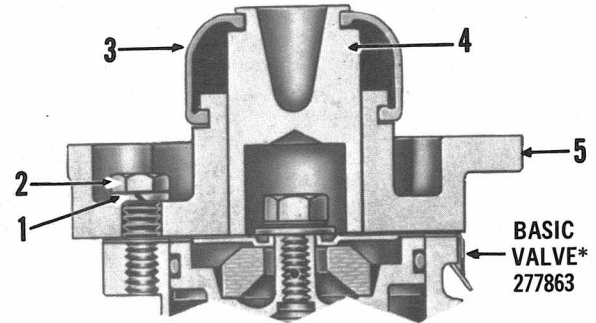
All Pc. Nos. Listed on this Page  
Are Available in Min. Qtys. per Price List.



**E-3 BRAKE VALVE  
PC. NO. 276334**

NO.	PC. NO.	QUAN.	DESCRIPTION
1	240383	1	Mounting Plate
2	236982	1	Boot
3	236981	1	Plunger
4	276327	1	Lever Assembly
5	231664	1	Cotter Pin
6	238477	1	Roller Pin
7	211026	1	Roller
8	240384	1	Lever
9	210492	1	Cotter Pin
10	238547	1	Fulcrum Pin
11	240137	1	Stop Button
12	203414	3	Cap Screw
13	202982	3	Lock Washer

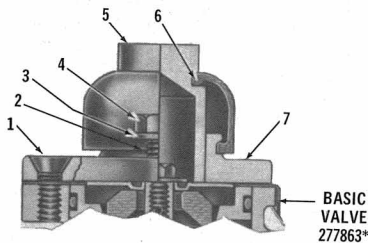
\*See Pg. 1 for Basic Valve details.



**E-3 BRAKE VALVE  
PC. NO. 277892**

NO.	PC. NO.	QUAN.	DESCRIPTION
1	202982	3	Lock Washer
2	203414	3	Cap Screw
3	236982	1	Boot
4	237666	1	Plunger
5	239079	1	Mounting Plate

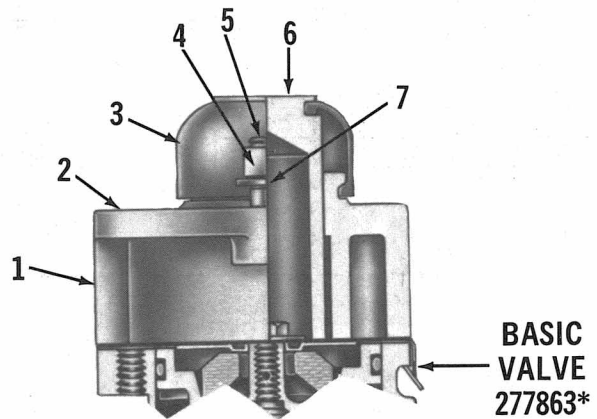
\*See Pg. 1 for Basic Valve details.



**E-3 BRAKE VALVE  
PC. NO. 278809**

NO.	PC. NO.	QUAN.	DESCRIPTION
1	236391	3	Machine Screw
2	211341	2	Stud
3	202983	2	Lock Washer
4	203004	2	Nut
5	236981	1	Plunger
6	236982	1	Boot
7	291195	1	Mounting Plate

\*See Pg. 1 for Basic Valve details.



**NOTE: USE 280081  
AS SERV. REPL.  
FOR 279872**

**E-3 BRAKE VALVE  
PC. NO. 280081**

NO.	PC. NO.	QUAN.	DESCRIPTION
1	240394	1	Mounting Plate
2	240393	3	Screw
3	236982	1	Boot
4	203004	3	Nut
5	211341	3	Stud
6	240395	1	Plunger
7	202983	3	Lock Washer

\*See Pg. 1 for Basic Valve details.