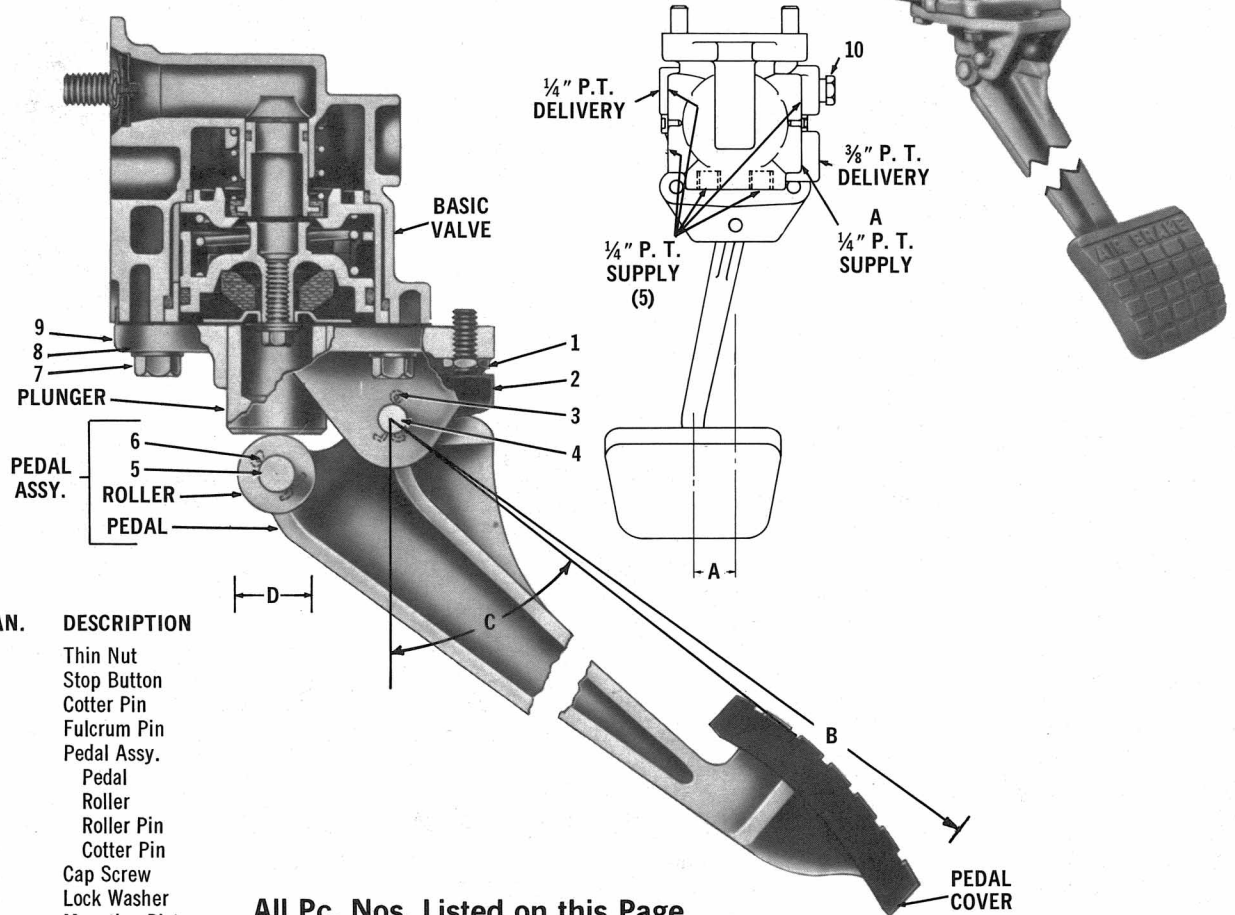


The Brake Valve is a graduating directional control valve and is generally used to control all the service brakes on a vehicle. The Type E-5 utilizes a pedal.

The single circuit brake valve such as the E-5 is used in single circuit systems.

For installation and maintenance information, see Instruction and Service Data Sheet SD-44.



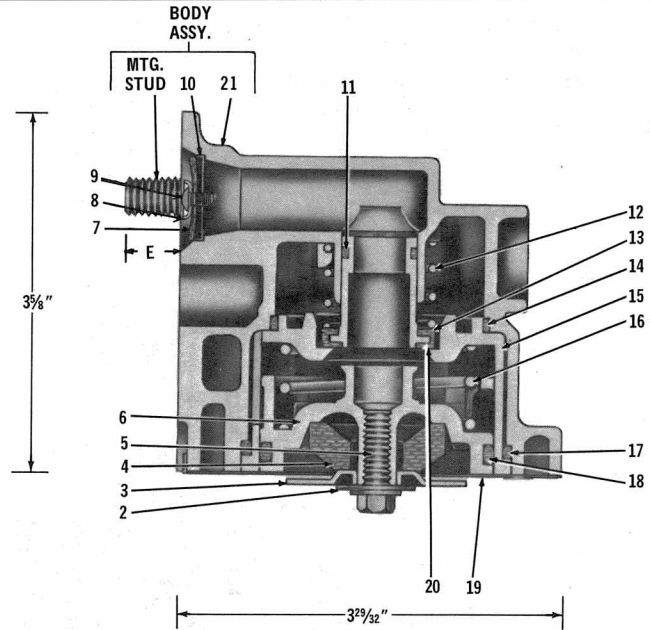
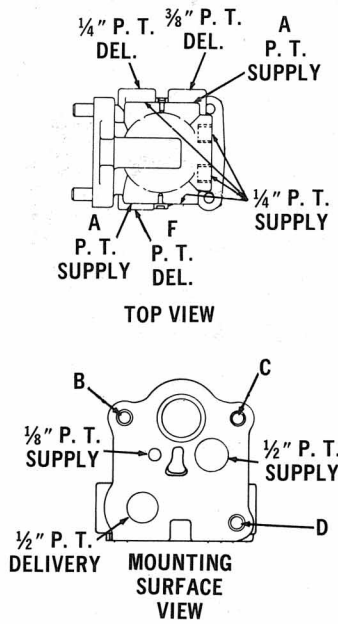
NO.	PC. NO.	QUAN.	DESCRIPTION
1	230250	1	Thin Nut
2	239512	1	Stop Button
3	210492	1	Cotter Pin
4	240445	1	Fulcrum Pin
See Schedule		1	Pedal Assy.
See Schedule		1	Pedal
See Schedule		1	Roller
5	200981	1	Roller Pin
6	210492	1	Cotter Pin
7	203414	3	Cap Screw
8	237648	3	Lock Washer
9	244679	1	Mounting Plate
10	230111	1	Pipe Plug, 1/4"

**All Pc. Nos. Listed on this Page
Are Available in Min. Qtys. per Price List.**

E-5 BRAKE VALVE WITH SUSPENDED PEDAL PC. NO.	REFERENCE DETAILS										
	REMF. EXCH.* PC. NO.	BASIC VALVE PC. NO.	PEDAL ASSY. PC. NO.	PEDAL PC. NO.	ROLLER PC. NO.	D ROLLER DIA.	PEDAL COVER PC. NO.	A DIM'N.	B RADIUS	C DEGREES	PLUNGER PC. NO.
279951	279950	279950	280381	244681	246045	1.06	244682	0—Straight Pedal	10.75	52	244680
280034	279950	279950	280382	244776	246045	1.06	244682	3.25—Offset Left	10.75	52	244680
280646	279950	279950	280594	245117	246045	1.06	244682	.94—Offset Left	10.75	52	244680
280688	281004	281004	281748	246156	245118	1.00	246279	0—Straight Pedal	9.69	48	244680
280863	281069	281069	280862	245385	245118	1.00	244682	.50—Offset Right	10.82	69	244680
281159	281069	281069	281172	245550	245118	1.00	244682	.88—Offset Right	8.62	50	244680
281645	281069	281069	281829	246204	245118	1.00	244682	.50—Offset Right	11.54	63	244680
281931	281004	281004	281930	246277	245118	1.00	246279	.75—Offset Right	9.69	48	244680
282045	282084	282084	282088	244681	244954	.88	244682	0—Straight Pedal	10.75	41	246452
282393	282084	282084	280382	244776	246045	1.06	244682	3.25—Offset Left	10.75	52	244680
283013	285148	285148	280382	244776	246045	1.06	244682	3.25—Offset Left	10.75	52	244680
286198	286197	286197	282088	244681	244944	.88	244682	0—Straight Pedal	10.75	48	244680
286202	286197	286197	286203	244681	245118	1.00	244682	0—Straight Pedal	10.75	64	290204

*See Back Of Page For Remfr. Exch. Valves.

**See Back Of Page For Basic Valve Details.



BASIC E-5 BRAKE VALVE O. E. PC. NO.	REMFR. EXCH. PC. NO.	REFERENCE DETAILS									
		BODY ASSY. PC. NO.	A P.T.	MTG. STUDS				E DIM'N.	THD. SIZE MTG. STUDS	F P.T.	H P.T.
				B PC. NO.	C PC. NO.	D PC. NO.					
279950	279950	279959	NONE	210936	NONE	210936	5/8	3/8-24	1/4	1/4	
281004	281004	281003	1/4	210936	NONE	NONE	5/8	3/8-24	1/4	1/4	
281069	281069	281074	NONE	245443	NONE	245443	3/4	3/8-16	1/4	1/4	
282084	282084	282087	NONE	NONE	NONE	NONE	NONE	NONE	1/4	1/4	
A285148	285148	NONE	NONE	NONE	NONE	NONE	NONE	NONE	1/4	1/4	
286197	286197	286196	NONE	210936	210936	210936	5/8	3/8-24	1/4	1/4	

A—Omit Items 7, 8 & 9. Has 1/2" P.T. In Exhaust.

MAJOR MAINTENANCE KIT 289334

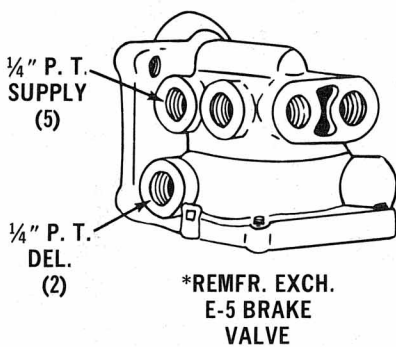
NO.	QTY. REQ.	DESCRIPTION
2	1	Special Washer
3	1	Spring Seat
5	1	Cap Screw
6	1	Piston
12	1	Valve Spring
15	1	Inlet Valve Seat
16	1	Piston Return Spring

MINOR MAINTENANCE KIT 281084

NO.	QTY. REQ.	DESCRIPTION
4	1	Rubber Spring
7	1	Diaphragm
8	1	Washer
9	1	Screw
10	1	Diaphragm Retainer
11	1	O-Ring
13	1	Valve Retainer
14	1	O-Ring
17	1	O-Ring
18	1	O-Ring
19	1	Retainer
20	1	Inlet & Exhaust Valve

Note: Item 21 (Body) Not Serviceable
Additional Pc. Nos. Listed on this Page
Are Available in Min. Qtys. per Price List.

E-5 BRAKE VALVE CONVERSION LIST



O. E. PC. NO.	REMFR. EXCH. PC. NO.
279950	279950
279951	279950
280034	279950
280646	279950
280688	281004
280863	281069
281004	281004
281069	281069
281159	281069
281473	281004

O. E. PC. NO.	REMFR. EXCH. PC. NO.
281645	281069
281899	281004
281931	281004
282045	282084
282084	282084
282369	279950
282393	282084
282443	282448
282448	282448
283013	285148

O. E. PC. NO.	REMFR. EXCH. PC. NO.
284062	282084
284064	282084
285095	285148
285148	285148
285676	281004
286045	286045
286046	286045
286049	286083
286083	286083
286084	286083

O. E. PC. NO.	REMFR. EXCH. PC. NO.
286099	286099
286100	286099
286197	286197
286198	286197
286202	286197
286927	287135
287023	287135
287135	287135
288325	286197