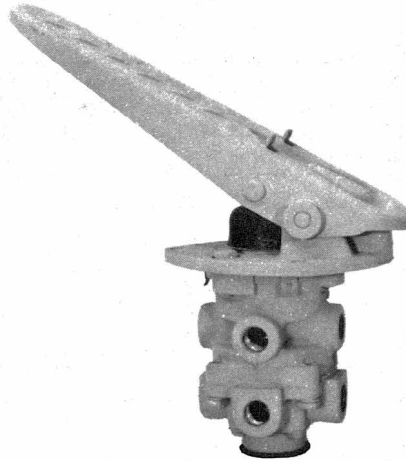


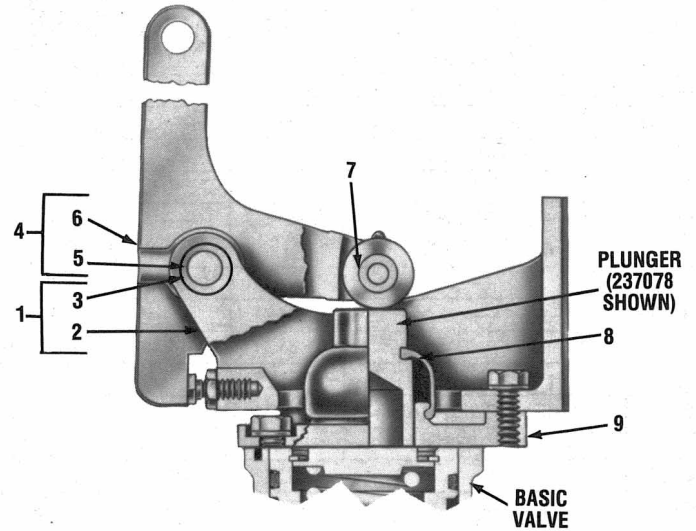
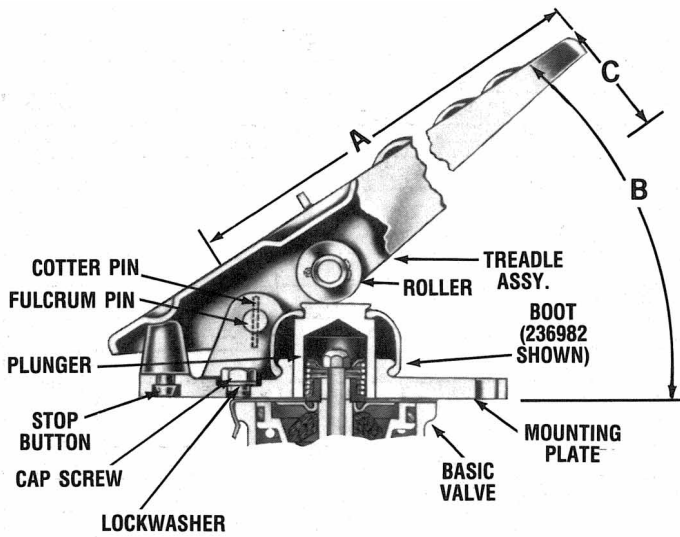
# E-6 TREADLE & LEVER ASSEMBLY

E-6  
DUAL BRAKE VALVE

CATALOG  
03-H-3



E-6 WITH TREADLE



PARTIAL VIEW OF E-6 BRAKE VALVE PC. NO. 103213

| STEEL TREADLE ASS'Y. | RUBBER COVERED TREADLE ASS'Y. | TREADLE | ROLLER | TREADLE COVER |
|----------------------|-------------------------------|---------|--------|---------------|
| 101564               |                               | 293795  | 233034 | —             |
| 226834               |                               | 226835  | 236288 | —             |
| 228282               |                               | 228281  | 238670 | —             |
| 228484               |                               | 228281  | 238806 | —             |
|                      | 229938                        | 229939  | 236288 | 240069        |
|                      | 275407                        | 275460  | 238806 | 240069        |
|                      | 281309                        | 229939  | 239124 | 240069        |
|                      | 283659                        | 275460  | 238670 | 240069        |
| 287860               |                               | 287861  | 291296 | —             |

| KEY NO. | QTY. | DESCRIPTION            | PC. NO. |
|---------|------|------------------------|---------|
| 1       | 1    | MOUNTING BRACKET ASS'Y | 222090  |
| 2       | 1    | MOUNTING BRACKET       | 231231  |
| 3       | 2    | BUSHING                | 210636  |
| 4       | 1    | LEVER ASSEMBLY         | 103246  |
| 5       | 2    | BUSHING                | 211332  |
| 6       | 1    | LEVER                  | 296259  |
| 7       | 1    | ROLLER                 | 211026  |
| 8       | 1    | BOOT                   | 236982  |
| 9       | 1    | ADAPTER PLATE          | 237221  |

| E-6<br>BRAKE<br>VALVE<br>ASS'Y | CUSTOMER<br>IDENTIFICATION<br>FOR E-6 ASSY. | BASIC<br>VALVE<br>SERVICE/<br>REMAN. | TREADLE<br>OR<br>LEVER<br>ASSY. | A<br>LENGTH | MTG.<br>PLATE | B<br>INITIAL<br>TREADLE<br>ANGLE | C<br>TOTAL<br>TREADLE<br>TRAVEL | PLUNGER | BOOT   | MTG.<br>STUD | COMMENTS        |
|--------------------------------|---|--------------------------------------|---------------------------------|-------------|---------------|----------------------------------|---------------------------------|---------|--------|--------------|-----------------|
| 101237                         | —   | 101240                               | —                               | —           | 245203        | —                                | —                               | 240526  | 236982 | —            |                 |
| 101239                         | —   | 101240                               | —                               | —           | —             | —                                | —                               | —       | —      | 293124       |                 |
| 101240                         | —   | 101240                               | —                               | —           | —             | —                                | —                               | —       | —      | —            |                 |
| 101312                         | —   | 286171                               | 228282                          | 8.88        | 243807        | 17                               | 19                              | 235814  | 236982 | —            |                 |
| 101563                         | FORD D9HT-2A270-AA                          | 289098                               | 101564                          | 7.3         | 292876        | 54                               | 20                              | 249105  | 236982 | —            | SEE PAGE 03-H-5 |
| 101825                         | —   | 286171                               | —                               | —           | 245203        | —                                | —                               | 294576  | 236982 | —            |                 |
| 101857                         | —   | 101857                               | —                               | —           | —             | —                                | —                               | —       | —      | —            |                 |
| 102944                         | VOLVO-WHITE<br>72002-3201                   | 286171                               | —                               | —           | —             | —                                | —                               | —       | —      | 296689       |                 |
| 103213                         | —   | 286171                               | 103246                          | —           | 222090        | —                                | —                               | 237078  | 236982 | —            | SEE PAGE 03-H-3 |
| 103996                         | —   | 103996                               | —                               | —           | 296953        | —                                | —                               | 296928  | —      | —            | SEE PAGE 03-H-2 |
| 104147                         | —   | 104147                               | —                               | —           | 296953        | —                                | —                               | 296928  | —      | —            | SEE PAGE 03-H-2 |
| 104264                         | KENWORTH<br>K295-302-1                      | 286171                               | —                               | —           | —             | —                                | —                               | —       | —      | 212292       |                 |
| 104308                         | FORD E6HZ-2A270-AA                          | 104308                               | —                               | —           | 296953        | —                                | —                               | 296928  | —      | —            | SEE PAGE 03-H-2 |
| 104309                         | —   | 104309                               | —                               | —           | 296953        | —                                | —                               | 296928  | —      | —            | SEE PAGE 03-H-2 |
| 104331                         | —   | 286171                               | —                               | —           | —             | —                                | —                               | —       | —      | 293124       |                 |
| 104349                         | —   | 286171                               | 275407                          | 8.97        | 236979        | 24                               | 19                              | 291765  | 236982 | —            |                 |
| 104427                         | FREIGHTLINER<br>681-431-00-05               | 286171                               | —                               | —           | —             | —                                | —                               | —       | —      | 230399       |                 |
| 104588                         | —   | 286171                               | 283659                          | 8.88        | 243807        | 17                               | 19                              | 235814  | 236982 | —            |                 |
| 286171                         | —   | 286171                               | —                               | —           | —             | —                                | —                               | —       | —      | —            |                 |
| 286173                         | —   | 286171                               | 226834                          | 8.88        | 236979        | 34                               | 20                              | 236981  | 236982 | —            |                 |
| 286516                         | I.H.C. 452950-C91                           | 286516                               | —                               | —           | —             | —                                | —                               | —       | —      | —            |                 |
| 286689                         | MACK 20QE3114R<br>20QE1276R                 | 286171                               | —                               | —           | —             | —                                | —                               | —       | —      | 212292       |                 |
| 286880                         | —   | 286171                               | 228484                          | 8.88        | 236979        | 27                               | 20                              | 236981  | 236982 | —            |                 |
| 287097                         | —   | 286171                               | 229938                          | 8.97        | 236979        | 34                               | 20                              | 236981  | 236982 | —            |                 |
| 287255                         | VOLVO-WHITE<br>72002-3601                   | 287255                               | —                               | —           | —             | —                                | —                               | —       | —      | —            |                 |
| 287289                         | —   | 286171                               | —                               | —           | —             | —                                | —                               | —       | —      | —            |                 |
| 287335                         | —   | 101857                               | —                               | —           | —             | —                                | —                               | 291128  | 292656 | —            |                 |
| 287782                         | —   | 286171                               | 228484                          | 8.88        | 236979        | 27                               | 20                              | 236981  | 236982 | —            | SEE PAGE 03-H-5 |
| 289098                         | —   | 289098                               | —                               | —           | —             | —                                | —                               | —       | —      | —            |                 |
| 289100                         | —   | 286171                               | —                               | —           | 245203        | —                                | —                               | 240526  | 236982 | —            |                 |
| 289103                         | —   | 289098                               | —                               | —           | —             | —                                | —                               | —       | —      | 230399       |                 |
| 289106                         | —   | 289098                               | 287860                          | 8.75        | 292433        | 45                               | 22                              | 242094  | 236982 | —            |                 |
| 289128                         | —   | 286171                               | 228484                          | 8.88        | 245721        | 27                               | 20                              | 244875  | 236982 | —            |                 |
| 289129                         | —   | 289098                               | 275407                          | 8.97        | 236979        | 27                               | 20                              | 236981  | 236982 | —            |                 |
| 289380                         | VOLVO-WHITE<br>72002-0009                   | 289380                               | —                               | —           | —             | —                                | —                               | —       | —      | —            |                 |
| 289478                         | —   | 289098                               | 275407                          | 8.97        | 236979        | 27                               | 20                              | 236981  | 236982 | —            |                 |
| 289505                         | —   | 289098                               | 229938                          | 8.97        | 236979        | 34                               | 20                              | 236981  | 236982 | —            |                 |
| 289595                         | I.H.C. 452950-C92                           | 286171                               | —                               | —           | —             | —                                | —                               | —       | —      | 230399       |                 |
| 289808                         | —   | 286171                               | 281309                          | 8.88        | 236979        | 41                               | 20                              | 236981  | 236982 | —            |                 |