

TYPE E-10 DUAL BRAKE VALVE

BASIC VALVE

THE E-10 DUAL BRAKE VALVE IS A GRADUATING, DIRECTIONAL CONTROL VALVE. IT IS PRIMARILY USED ON BUSES TO CONTROL THE SERVICE BRAKES. IT IS USED IN A DUAL OR SPLIT AIR BRAKE SYSTEM, AND IS ACTUALLY TWO SEPARATE AND INDEPENDENT VALVES IN THE SAME HOUSING, OPERATED BY A SINGLE ACTUATING MECHANISM.

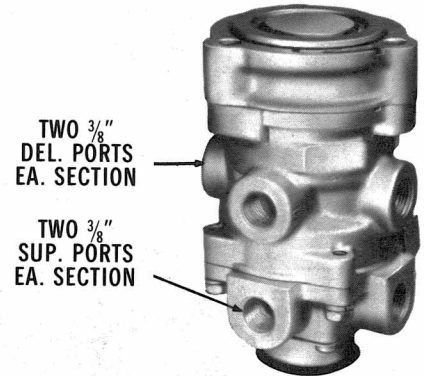
FOR SERVICE/MAINTENANCE INFORMATION, SEE SERVICE DATA SHEET SD-03-5.

MAINTENANCE KIT IS PC. NO. 102100

APPROX. WT. (BASIC VALVE)- 4.8 LBS.

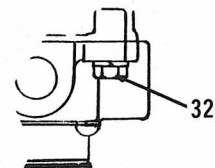
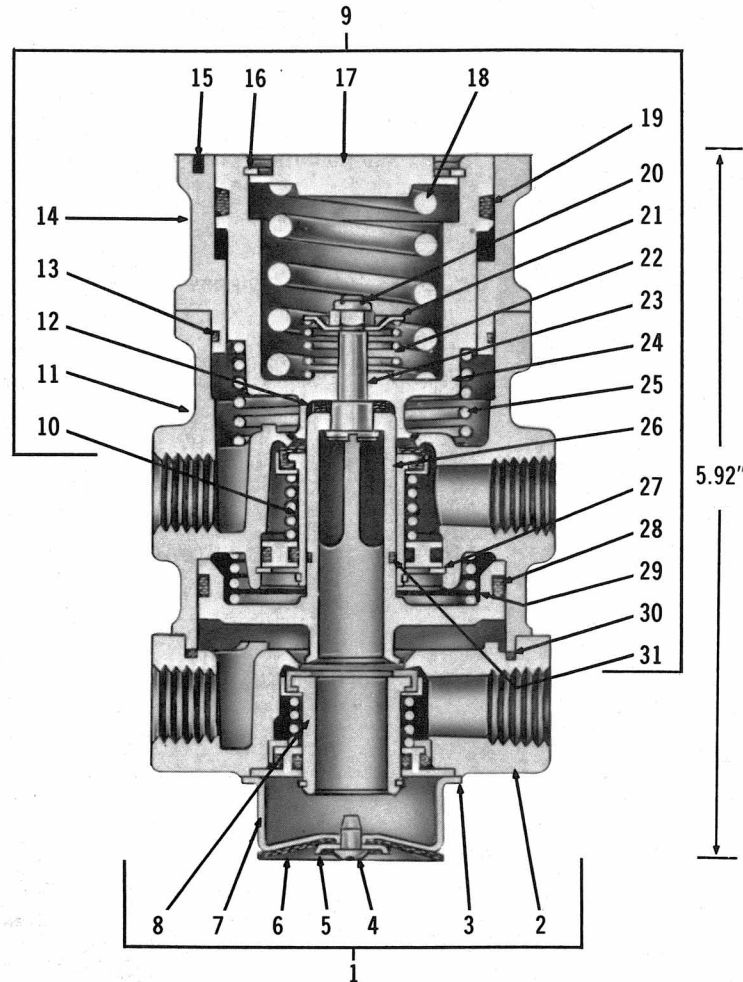
VMRS NO. 13-010-051

BASIC E-10 DUAL BRAKE VALVE
O.E. OR SERVICE
PC. NO. 101100



SERVICE PARTS			
NO.	PC. NO.	QTY.	DESCRIPTION
1	289108	1	LOWER BODY ASSY.
2	290182	1	BODY
3	292275	4	COVER SCREW
4	A	1	DIAPHRAGM SCREW
5	A	1	DIAPHRAGM WASHER
6	A	1	DIAPHRAGM
7	249313	1	EXHAUST COVER
8	A	1	INLET AND EXH. VALVE ASSY.
9	101132	1	UPPER BODY ASSY.
10	A	1	INLET AND EXH. VALVE ASSY.
11	290181	1	UPPER BODY
12	A	1	WASHER
13	A	1	O-RING
14	293234	1	ADAPTER
15	A	1	VENT FILTER
16	A	1	RETAINING RING
17	293154	1	SPRING RETAINER
18	A	1	GRADUATING SPRING
19	A	1	O-RING
20	A	1	#10 LOCKNUT
21	290189	1	SPRING GUIDE
22	A	1	STEM SPRING
23	293032	1	STEM
24	293232	1	PRIMARY PISTON
25	A	1	PISTON RETURN SPRING
26	290202	1	RELAY PISTON
27	A	1	RETAINING RING
28	A	1	O-RING
29	A	1	PISTON SPRING
30	A	1	O-RING
31	A	1	O-RING
32	291926	4	CAP SCREW

A - AVAILABLE IN MAINTENANCE KIT PC. NO. 102100.



PARTIAL VIEW

E-10 BRAKE VALVES WITH TREADLE, LEVER/BRACKET AND ADAPTER PLATE SHOWN ON BACK