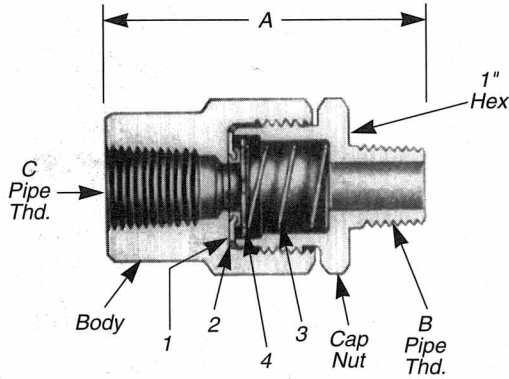


SERVICE PARTS

SINGLE CHECK VALVES

CATALOG 03-A-8

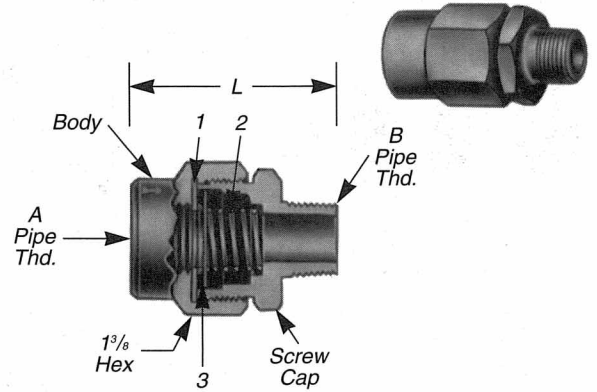


SUB ASSY. AND DETAIL REFERENCE

SC-1 SINGLE CHECK VALVE PC. NO.	FOR SERVICE USE PC. NO.	CUSTOMER IDENTIFICATION	A DIM'N.	B PIPE THD.	C PIPE THD.
229603	229603	NONE	2 ³ / ₃₂	1/4	1/4
275569	275569	NONE	1 ¹⁵ / ₁₆	1/8	1/4
281212	229603	WHITE 546233	2 ³ / ₃₂	1/4	1/4

COMMON SERVICE PARTS

NO.	PC. NO.	QUAN.	DESCRIPTION
1	236743	1	Valve Seat
2	238412	1	O-Ring
3	247919	1	Spring
4	236744	1	Valve

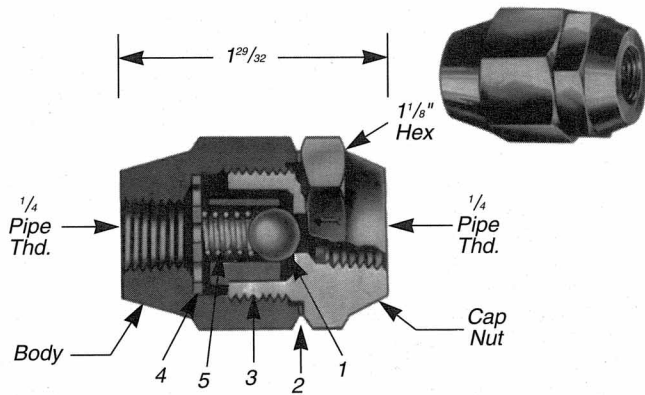


SUB ASSY. AND DETAIL REFERENCE

SC-1 SINGLE CHECK VALVE (RUBBER SEAT) PC. NO.	FOR SERVICE USE PC. NO.	CUSTOMER IDENTIFICATION	A PIPE THD.	B PIPE THD.	L DIM'N.
227870	227870	NONE	3/8	3/8	2 ¹ / ₆₄
227871	227871	NONE	1/2	1/2	2 ¹³ / ₆₄
276421	227871	WHITE 644916-A	1/2	1/2	2 ¹³ / ₆₄
288048	227871	WHITE 72803-0002	1/2	1/2	2 ¹³ / ₆₄

COMMON SERVICE PARTS

NO.	PC. NO.	QUAN.	DESCRIPTION
1	238167	1	Valve Seat
2	239263	1	Spring
3	238168	1	Disc Valve



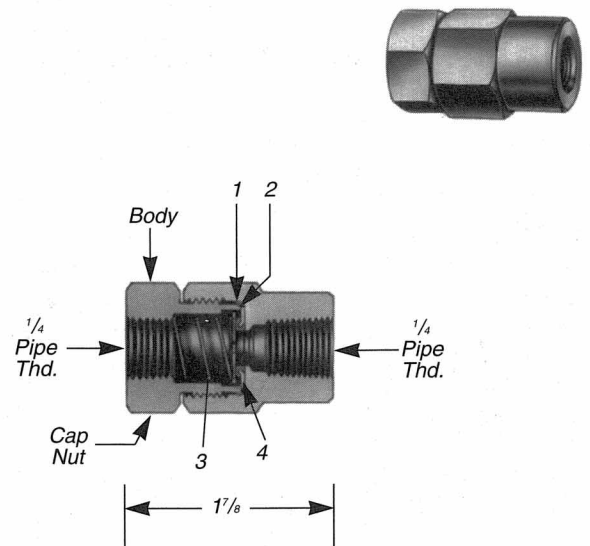
SUB ASSY. AND DETAIL REFERENCE

SC SINGLE CHECK VALVE PC. NO.	PC. NO. STAMPED ON HEX
220306	220306*
225595	NONE

*MILITARY USE ONLY

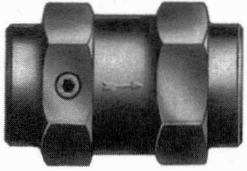
COMMON SERVICE PARTS

NO.	PC. NO.	QUAN.	DESCRIPTION
1	235434	1	Ball
2	213234	1	Gasket
3	213232	1	Ball Guide
4	213236	1	Spring Seat
5	213235	1	Spring



SC-1 SINGLE CHECK VALVE PC. NO. 226691

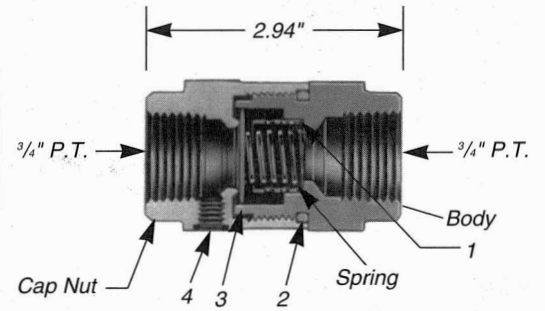
NO.	PC. NO.	QUAN.	DESCRIPTION
1	238412	1	O-Ring
2	236743	1	Valve Seat
3	247919	1	Spring
4	236744	1	Disc Valve



SUB ASSY. AND DETAIL REFERENCE

SC-2 SINGLE CHECK VALVE PC. NO.	FOR SERVICE USE PC. NO.	SPRING PC. NO.	P.S.I. DIFF.
A 102005 277657	102005 277657	233437 241259	4 .14

A - SUPERSEDES PC. NO. 223891



COMMON SERVICE PARTS

NO.	PC. NO.	QUAN.	DESCRIPTION
1	237000	1	Valve Stop Bushing
2	233955	1	Grommet
3	230935	1	Discharge Valve
4	233008	1	1/16 NPT Pipe Plug