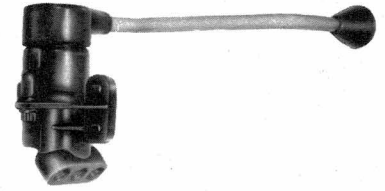
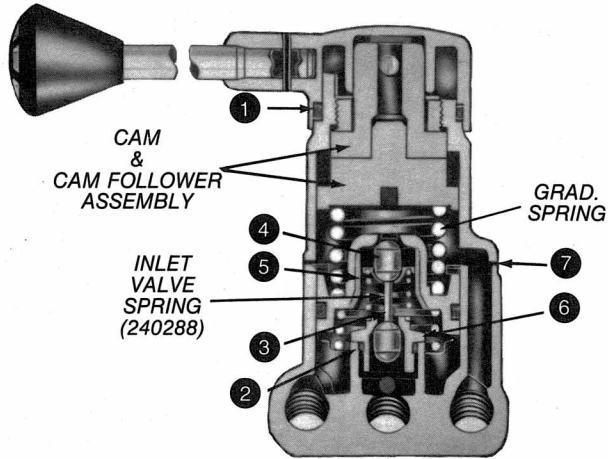


SPECIAL VALVES (FORD IDENTIFIED)

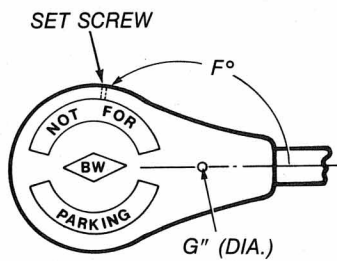
TC-2

CATALOG
03-K-05

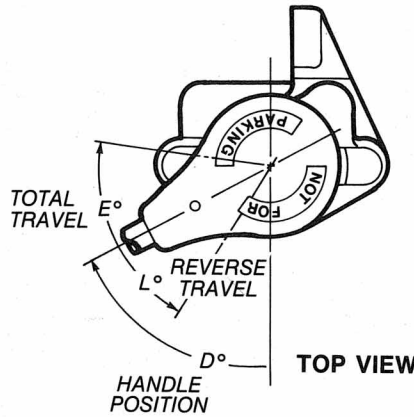


MAINTENANCE KIT IS PC. NO. 276122

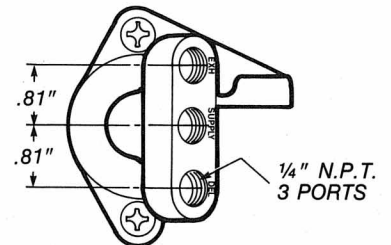
| Key No. | Qty. | Description |
|---------|------|----------------------|
| | 1 | O-Ring (Not Used) |
| | 1 | O-Ring (Not Used) |
| 1 | 1 | O-Ring |
| 2 | 1 | O-Ring |
| 3 | 1 | Stem |
| 4 | 2 | Inlet/Exhaust Valve |
| 5 | 1 | Valve Guide |
| 6 | 1 | Piston Return Spring |
| 7 | 1 | Gasket |
| | 1 | Silicone Grease Tube |



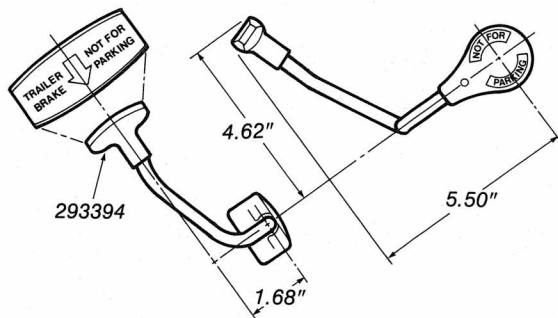
HEAD



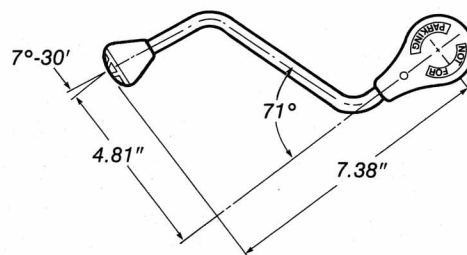
TOP VIEW



BOTTOM VIEW



HANDLE 293397



HANDLE 247019

| O.E. Pc. No. | For Service Use Basic Pc. No. | Head | G" | F° | Handle | Knob | D° | E° | L° | Pressure in PSI | | Cam & Cam Follower Assy. | Grad. Spring | Comments |
|--------------|----------------------------------|--------|------|-----|--------|--------|------|----|----|-----------------|--------------|-----------------------------|-----------------|---------------------------------|
| | | | | | | | | | | Grad. Range | Final Deliv. | | | |
| 101344 | 104086 | 293398 | .130 | 148 | 293397 | 293394 | 63.5 | — | 31 | 5-80 | 80 | 101780 | 241486 | Self-Returning & Reverse Cam |
| 102308 | 104087 | 294474 | .098 | 283 | 294473 | 246226 | 85 | 37 | — | 5-80 | 80 | 102333 | 239909 | |
| 282412 | 104020 | 247020 | .130 | 300 | 247019 | 246226 | 42 | 63 | — | 5-80 | 80 | 277588 | 241486 | |