

# TRAILER CONTROL VALVE

TC-7

CATALOG  
03-K-06

THE TC-7 TRAILER CONTROL BRAKE VALVE IS MOUNTED EITHER ON THE EXTERIOR OR INTERIOR OF THE STEERING COLUMN.

IT IS NORMALLY USED TO OPERATE THE TRAILER BRAKES INDEPENDENTLY OF THE TRACTOR BRAKES. IT MAY BE USED, HOWEVER, WHEREVER A HAND-CONTROLLED PRESSURE GRADUATION FUNCTION IS DESIRED.

THE TC-7 IS NOT DESIGNED FOR USE AS A PARKING BRAKE CONTROL AND SHOULD NEVER BE USED TO HOLD THE BRAKES APPLIED WITH VEHICLE UNATTENDED.

FOR COMPLETE SERVICE/MAINTENANCE INFORMATION, SEE SERVICE DATA SHEET SD-03-88.

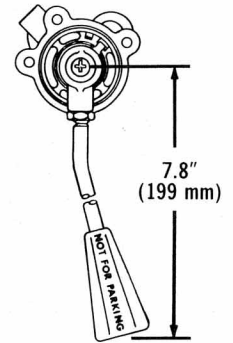
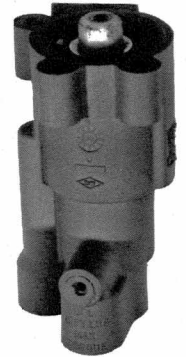
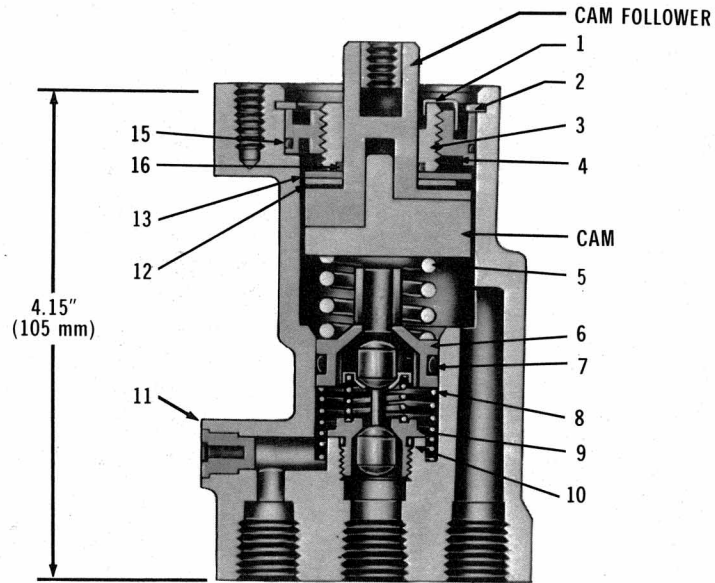
MAINTENANCE KIT IS PC. NO. 102145

WEIGHT - 1 LB. (.454 kg)

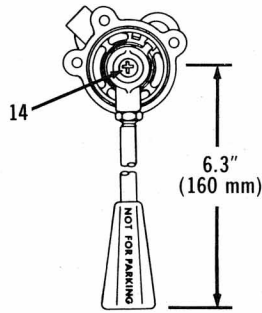
VMRS #13-010-014

DEVICE CODE - 00824

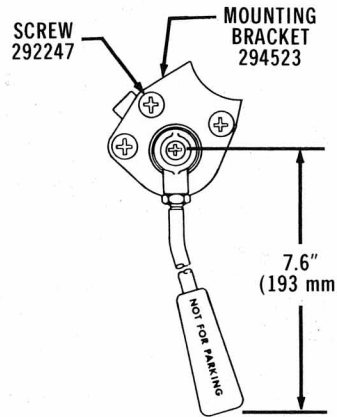
TC-7 VALVES NOT AVAILABLE IN REFR. EXCH.



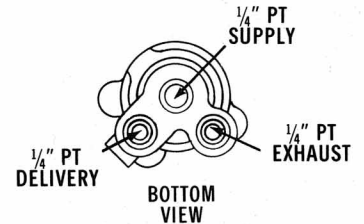
HANDLE COMPLETE  
PC. NO. 102150  
(HEX)



HANDLE COMPLETE  
PC. NO. 102709  
(HEX)



HANDLE COMPLETE  
PC. NO. 102423  
(ROUND)



### SUB ASSY. AND DETAIL REFERENCE

TC-7 BRAKE VALVE PC. NO.	CUSTOMER IDENTIFICATION	*FOR SERVICE USE BASIC PC. NO.	HANDLE COMPLETE PC. NO.	MOUNTING BRACKET PC. NO.	SCREW (3 REQD) PC. NO.	CAM FOLLOWER PC. NO.	CAM PC. NO.
101910	NONE	101860	102150	NONE	NONE	294084	294530
102388	NONE	101860	102423	294523	292247	294084	294530
102705	NONE	102707	102709	NONE	NONE	294755	294752
102706	NONE	102708	102709	NONE	NONE	294756	294752

\*BASIC VALVE ONLY - BRACKET & HANDLE (IF REQUIRED) MUST BE ORDERED SEPARATELY.

### COMMON SERVICE PARTS

NO.	PC. NO.	QUAN.	DESCRIPTION	NO.	PC. NO.	QUAN.	DESCRIPTION
1	A	1	LOCKWASHER	9	A	1	INLET & EXHAUST VALVE ASSY.
2	A	1	RETAINING RING	10	A	1	O-RING
3	294041	1	ADJUSTING RING	11	294097	1	BODY
4	294033	1	ADJUSTING RING ADAPTER	12	A	1	SEALING RING
5	294527	1	GRADUATING SPRING	13	294478	1	FRICTION WASHER
6	294525	1	PISTON	14	A	1	SCREW
7	A	1	O-RING	15	A	1	O-RING
8	A	1	SPRING	16	A	1	O-RING

A - AVAILABLE IN MAINTENANCE KIT 102145