

SR-1 SPRING BRAKE VALVE

The SR-1 Spring Brake Valve is commonly found on trucks with dual air brake systems. The function of the SR-1 is to modulate the spring brakes through application of the foot brake valve in the event of loss of rear axle service brake pressure. This action takes advantage of the drivers natural reaction to apply the foot brake valve in an emergency brake situation and eliminates the need to actuate dash mounted controls.

Spring brake release pressure is limited to 90-95 PSI by the SR-1. Normal parking functions are also controlled through the SR-1.

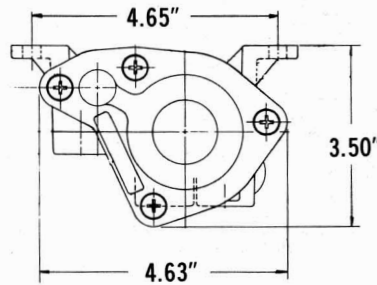
For Service/Maintenance information, see Service Data Sheet SD-03-87.

MAINTENANCE KIT PC. NO. 287072.

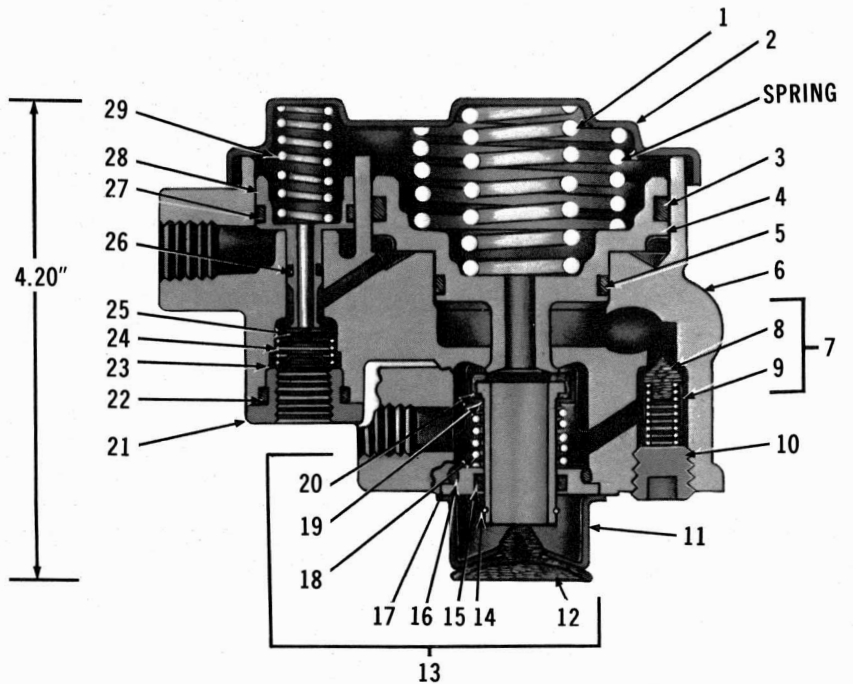
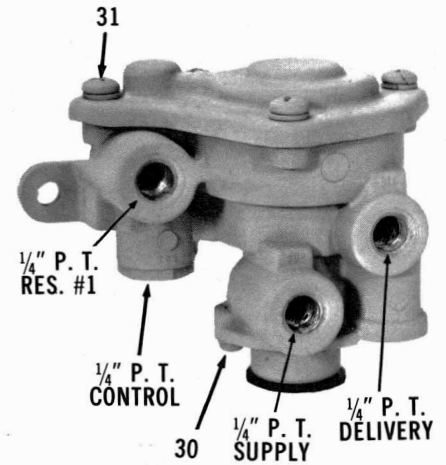
WEIGHT - 1.7 LBS.

VMRS NO. IS 13-010-048.

DEVICE CODE IS 3086.



TOP VIEW



SUB ASSY. AND DETAIL REFERENCE

SR-1 SPRING BRAKE VALVE PC. NO.	FOR SERVICE OR REMFR. EXCH USE PC. NO.	CUSTOMER IDENTIFICATION	A SPRING PC. NO.	LIMITING PRESS (P.S.I.)
286364	286364	NONE	A	95
286365	286365	NONE	NONE	60
286834	286364	MACK-20QE 3110R 20QE 1278R	A	95
286893	286364	FORD-D5HA-2B431-AA	A	95
287252	286364	WHITE-78203-0001	A	95
287278	287278	KENWORTH-K295-127	A	95
B288063	288063	IHC-459271-C92	A	95

A - Furnished in Maintenance Kit 287072.

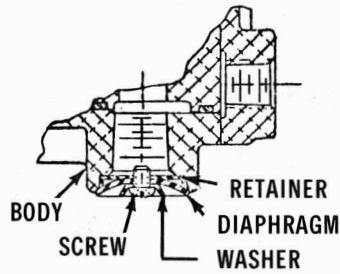
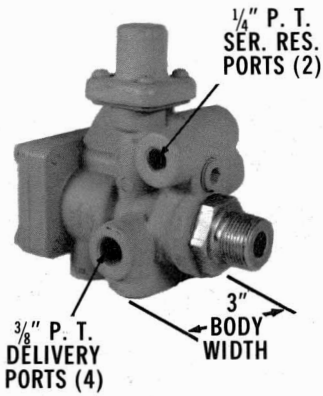
B - Maintenance Kit for this SR-1 is PC. NO. 288271.

COMMON SERVICE PARTS

NO.	PC. NO.	QUAN.	DESCRIPTION
1	A	1	Piston Spring
2	290404	1	Cover
3	A	1	O-Ring
4	290405	1	Piston
5	A	1	O-Ring
6	290399	1	Body
7	288252	1	Check Valve Assy.
8	A	1	Check Valve
9	A	1	Check Valve Spring
10	230576	1	Pipe Plug
11	243968	1	Exhaust Cover
12	A	1	Diaphragm
13	A	1	Inlet & Exhaust Valve Assy.
14	A	1	Retaining Ring
15	A	1	O-Ring
16	A	1	O-Ring
17	A	A	Valve Guide
18	A	1	Valve Spring
19	A	1	Valve Retainer
20	A	1	Inlet & Exhaust Valve
21	202620	1	Cap Nut
22	214747	1	O-Ring
23	A	1	Valve Stop
24	A	1	Valve Spring
25	A	1	Valve
26	A	1	Piston O-Ring (Small)
27	A	1	Piston O-Ring (Large)
28	245257	1	Piston
29	A	1	Piston Spring
30	291925	2	Machine Screw & L.W.
31	292247	4	Machine Screw & L.W.

A - Furnished in Maintenance Kit 287072.

SR-2 TRAILER SPRING BRAKE VALVE



PARTIAL VIEW OF EXHAUST FOR PC. NO. 287376

The SR-2 is a key valve in the "121" Trailer Air Brake System. Generally installed in the required spring brake release reservoir, it is responsible for controlling the application and release of the spring brakes both during emergency situations and normal parking. It protects and isolates the spring brake reservoir, preventing automatic brake application in the event of trailer service system failure. The SR-2 also provides the ability to release the trailer spring brakes at least once subsequent to their application.

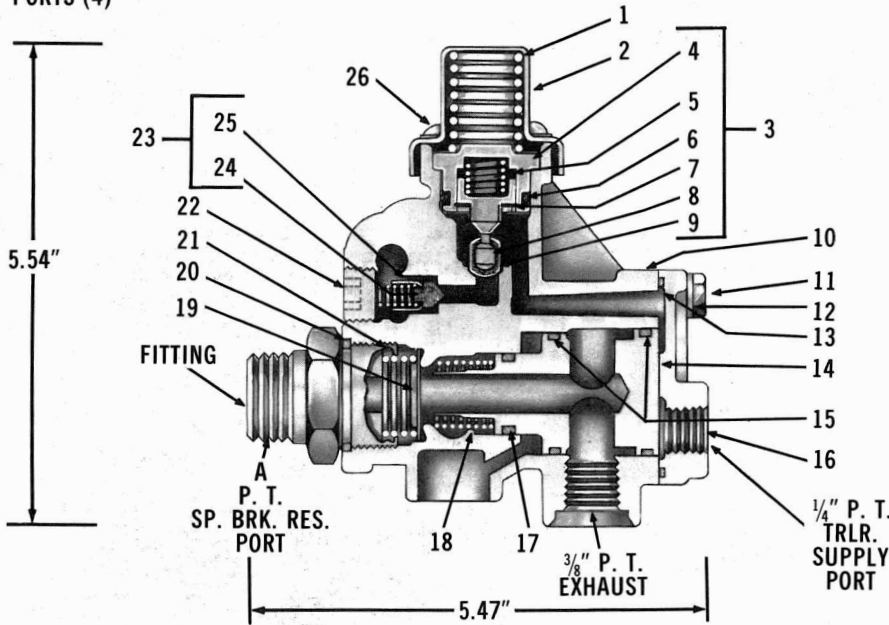
For Service/Maintenance information, see Service Data Sheet SD-03-43.

MAINTENANCE KIT PC. NO. 287691.

WEIGHT - 2.6 LBS.

VMRS NO. IS 13-010-048.

DEVICE CODE IS 4510.



COMMON SERVICE PARTS							
NO.	PC. NO.	QUAN.	DESCRIPTION	NO.	PC. NO.	QUAN.	DESCRIPTION
1	A	1	Spring	14	291156	1	Control Piston
2	290505	1	Spring Retainer	15	A	2	O-Ring
3	A	1	Piston Assy.	16	291157	1	Cover
4	A	1	Piston	17	A	1	O-Ring
5	A	1	Inlet Valve Spring	18	A	1	Spring
6	A	1	O-Ring	19	A	1	Valve (Includes Cup 238381)
7	A	1	Retaining Ring	20	A	1	O-Ring
8	A	1	Stem	21	A	1	Inlet Valve Spring
9	A	1	Inlet & Exhaust Valve	22	233057	2	Pipe Plug, 3/8"
10	291154	1	Body	23	A	2	Check Valve Assy.
11	203706	4	Cap Screw	24	A	2	Check Valve
12	202981	4	Lock Washer	25	A	2	Check Valve Spring
13	A	1	Sealing Ring	26	243683	4	Machine Screw

A - Furnished in Maintenance Kit 287691

SUB ASSY. AND DETAIL REFERENCE

SR-2 TRAILER SPRING BRAKE VALVE PC. NO.	FOR SERVICE OR REMFR. EXCH. USE PC. NO.	RETAINER PC. NO.	DIAPHRAGM PC. NO.	WASHER PC. NO.	SCREW PC. NO.	FITTING PC. NO.	A PIPE TAD SIZE
287375	287376	NONE	NONE	NONE	NONE	291159	3/4
287376	287376	246367	246368	246369	246370	291159	3/4
B288497	288497	NONE	NONE	NONE	NONE	292048	1/2

B - Add Two (2) Pipe Plug, 238807 (3/8) in two bottom del. ports.