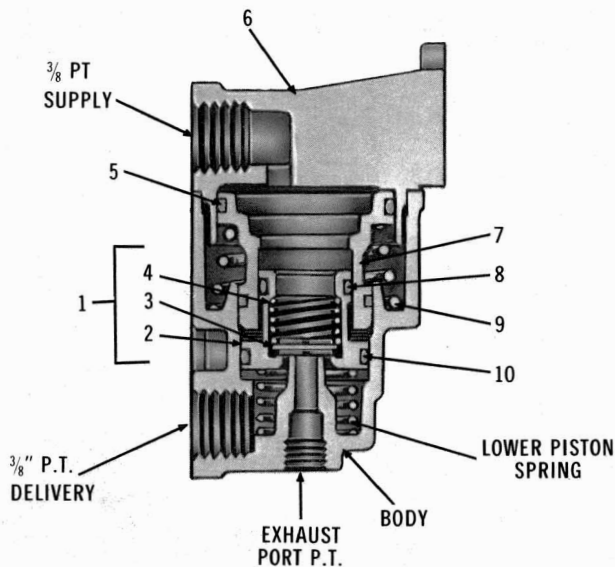
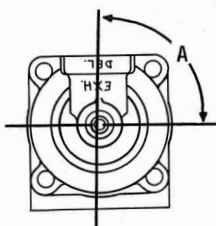
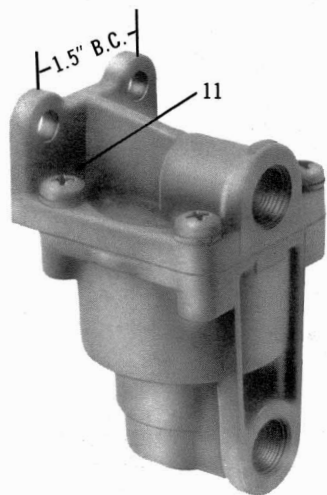


TYPE LQ-4 FRONT AXLE RATIO VALVE



The LQ-4 is a front axle ratio valve usually found installed in the front axle service delivery line between the brake valve and the brake actuators. In normal use it automatically reduces application pressure to the front axle brakes. During severe brake applications, it allows full braking pressure to be delivered.

The LQ-4 is intended for use on "121" brake systems only.

For service/maintenance information, see service data sheet SD-03-54.

Maintenance Kit for LQ-4 is Pc. No. 289500

Weight - .8 Lbs.

VMRS No. 13-010-034

DEVICE CODE IS 0951

Conversion List-
LQ-3 (OBS.) to LQ-4

LQ-3 Pc. No.	LQ-4 Pc. No.
286289	289144
286682	289145
287187	289146
287253	289147
287276	289148
287279	289149
288532	289150

COMMON SERVICE PARTS			
NO.	PC. NO.	QUAN.	DESCRIPTION
1	289143	1	LOWER PISTON ASSY.
2	292490	1	LOWER PISTON
3	A	1	VALVE
4	A	1	SPRING
5	A	1	O-RING
6	292495	1	COVER
8	A	1	O-RING
9	A	1	PISTON SPRING
10	A	1	O-RING
11	291924	4	1/4 MACH. SCREW

A - Furnished in Maintenance Kit 289500.

SUB ASSY AND DETAIL REFERENCE

LQ-4 FRONT AXLE RATIO VALVE PC. NO.	CUSTOMER IDENTIFICATION	FOR SERV. OR REMFR. EXCH. USE PC. NO.	LOWER PISTON SPRING PC. NO.	BODY PC. NO.	A DEG. DEL. PORT LOCATION	NOMINAL HOLD-OFF PRESS. (PSI)	NOMINAL EQUALIZING PRESS. (PSI)	EXHAUST PORT P.T.
101249	NONE	101249	NONE	293294	0	4	60	1/4"
289144	NONE	289144	NONE	292491	0	4	60	NONE
289145	MACK-20QE3166R OR 20QE1275R	289145	292487	292491	0	10	65	NONE
289146	NONE	289146	NONE	292491	90	4	60	NONE
B289147	WHITE-75602-0010	289147	NONE	292491	0	4	60	NONE
289148	NONE	289148	292487	292491	0	10	65	NONE
289149	KENWORTH-K295-181	289149	NONE	292491	0	4	60	NONE
289150	WHITE-75602-0009	289150	NONE	292491	0	4	60	NONE

B - Add reducer bushings, 212862 (3/8 x 1/4) in supply & del. ports.