

PUSH PULL CONTROL VALVE

RD-3

CATALOG
03-L-07

DESCRIPTION

The RD-3 push-pull control valve is a manually operated, on-off control. This valve is spring loaded to the exhaust position and requires constant manual force to remain in the open or delivery position. It is primarily used as an emergency brake release control.

FOR SERVICE/MAINTENANCE INFORMATION
SEE SERVICE DATA SHEET SD-03-61

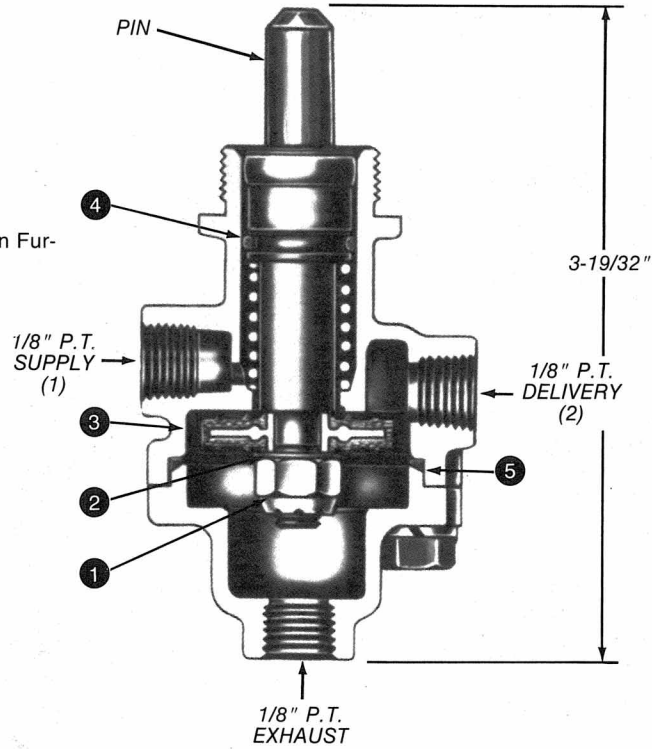
WEIGHT - 0.6 LBS.
VMRS NO. - 13-010-104
DEVICE CODE - 3605

- Available Remanufactured Exchange
- Button Not Furnished with Exchange Valve, Roll Pin Furnished (Pc. No. 238379)

Parts List/General Information

Maintenance Kit 281126 Consists of:

KEY NO.	DESCRIPTION	QUAN.
1	Hex Nut	1
2	Washer	1
3	Inlet & Exhaust Valve	1
4	O-Ring	1
5	Sealing Ring	1

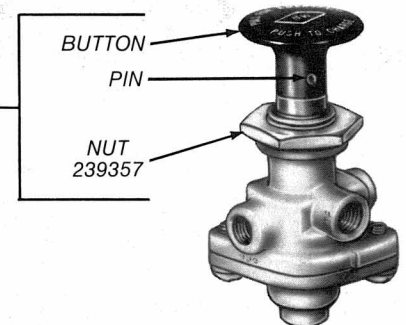


BASIC RD-3 PC. NO.
286211

O.E. TO BASIC

PIECE NO.	BASIC	*BUTTON	REMARKS
280959	286211	240920	—
281481	286211	245841	—
284286	286211	240920	Cust I.D.
284727	286211	248812	—
284784	286211	248476	—
284835	286211	245841	Cust I.D.

PLACE THESE PARTS
IN POLYBAG AND
ATTACH TO VALVE



*FOR BUTTON WORDING AND
CONFIGURATION REFER TO CATALOG
PAGE 03-L-12A