

TYPE LQ-2 LIMITING AND QUICK RELEASE VALVE

SERVICE PARTS
CATALOG **03-A-4**

The LQ-2 limiting and quick release valve serves two functions as its name implies: that of a limiting valve and a quick release valve. Generally used on the front or steering axle of a vehicle, it is controlled by a TW-1 two way control valve mounted on the dash panel in the cab. The LQ-2 will reduce front axle service applications by 50% when the TW-1 control is placed in the "slippery road" position, and will deliver full pressure when the control is placed in the "dry road" position. In addition to its limiting function, the LQ-2 releases air directly from the front axle brake chambers, speeding up brake release.

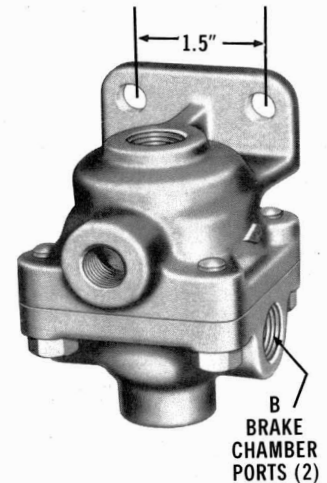
For complete service/maintenance information, see Service Data Sheet SD-03-53.

Maintenance Kit for LQ-2 is Pc. No. 282098

Weight - 1.13 Lbs.

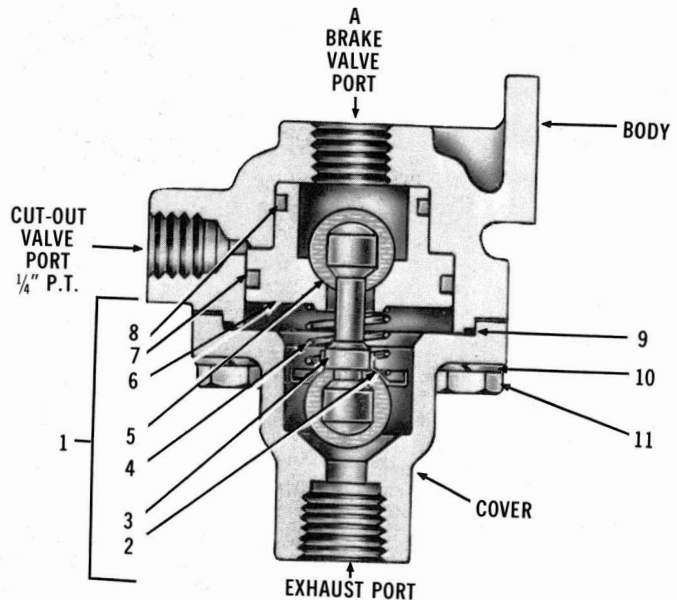
VMRS No. 13-010-008

DEVICE CODE IS 950.



COMMON SERVICE PARTS			
NO.	PC. NO.	QUAN.	DESCRIPTION
1	229508	1	INL. & EXH. VALVE ASSY.
2	239655	1	VALVE GUIDE
3	239654	1	STEM
4	A	1	VALVE SPRING
5	A	2	INL. & EXH. VALVE
6	239652	1	PISTON
7	A	1	GROMMET (LARGE)
8	A	1	GROMMET (SMALL)
9	A	1	SEALING RING
10	232850	4	LOCK WASHER
11	293337	4	CAP SCREW

A - Furnished in Maintenance Kit 282098.



SUB ASSY. AND DETAIL REFERENCE

LQ-2 LIM. & QUICK REL. VALVE PC. NO.	FOR SERV. OR REMFR EXCH. USE PC. NO.	CUSTOMER IDENTIFICATION	BODY PC. NO.	COVER PC. NO.	A PIPE THREAD	B PIPE THREAD
229505	229505	NONE	242794	239659	3/8	3/8
229507	229507	NONE	242795	239660	1/2	1/4
229509	229509	NONE	242794	239660	3/8	1/4
276177	229505	WHITE-487701-A	242794	239659	3/8	3/8
276179	229507	MACK-20QE236A	242794	239660	3/8	1/4
283525	283525	NONE	242794	239660	3/8	1/4
287520	287520	IHC-124449-R93	242794	239659	3/8	3/8