

The TC series brake valves are hand operated modulating control valves. The TC valves are capable of almost infinite graduation of pressure between approximately 5 P.S.I. and their individual maximum delivery settings. The TC-4 control valve is generally used to modulate parking and emergency brakes.

For installation and maintenance information, see Instruction and Service Data Sheet, SD-03-17.

Weight .73 lbs.

Device Code 4503

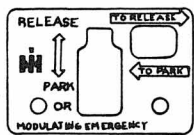
VMRS - 13-010-048

When lever is unlocked it will move to delivery (Brakes Released) position.

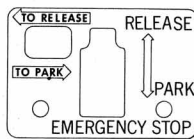
Lock can be applied to hold lever in the exhaust (Brakes Applied) position.

PARTS LIST / GENERAL INFORMATION

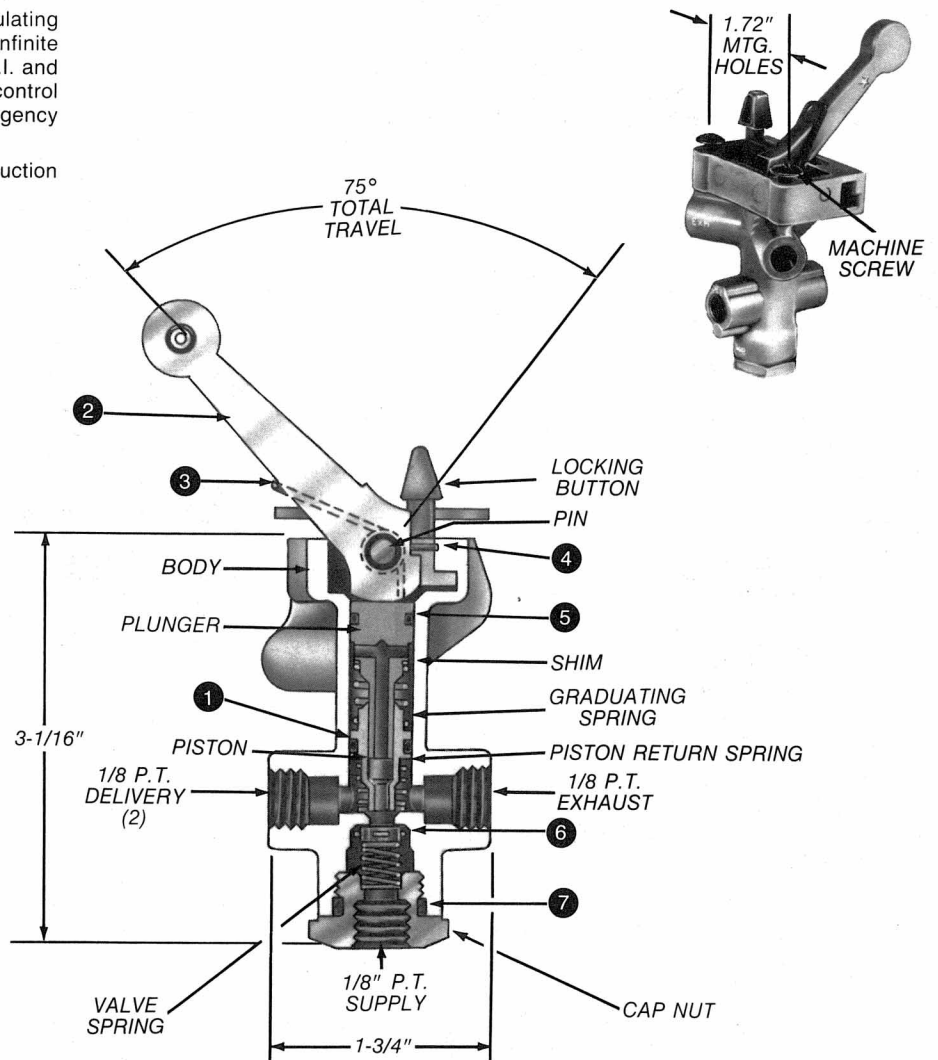
No.	Description	Quan.	Pc. No.
1	O-Ring	1	238949
2	Lever	1	249379
3	Torsion Spring	1	246811
4	Disc	1	245964
5	O-Ring	1	242952
6	Valve	1	249534
7	Sealing Ring	1	236728



DIAL
245858



DIAL
246304



ORIGINAL EQUIPMENT AND REMANUFACTURED EXCHANGE

O.E. & REMFR. PC. NO.	REFERENCE DETAILS			
	LOCKING BUTTON PC. NO.	DIAL PC. NO.	LOCKING BUTTON POSITION	DELIVERY PRESSURE (P.S.I.)
282368	249375	NONE	Left	86-100
282380	249376	245858	Right	86-100
282381	249376	NONE	Right	86-100
282382	249375	246304	Left	86-100
284291	249375	NONE	Left	105-120