

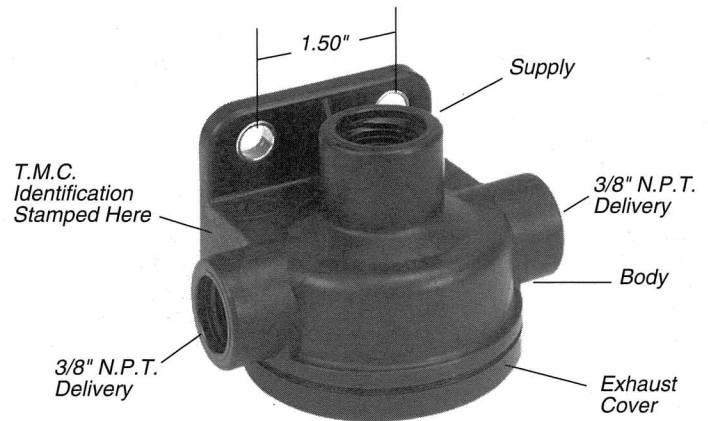
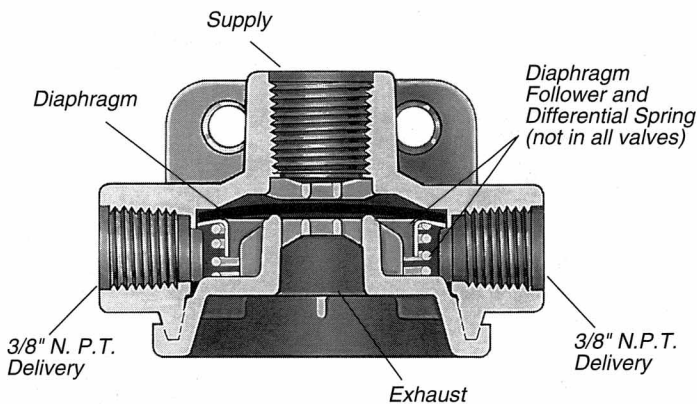
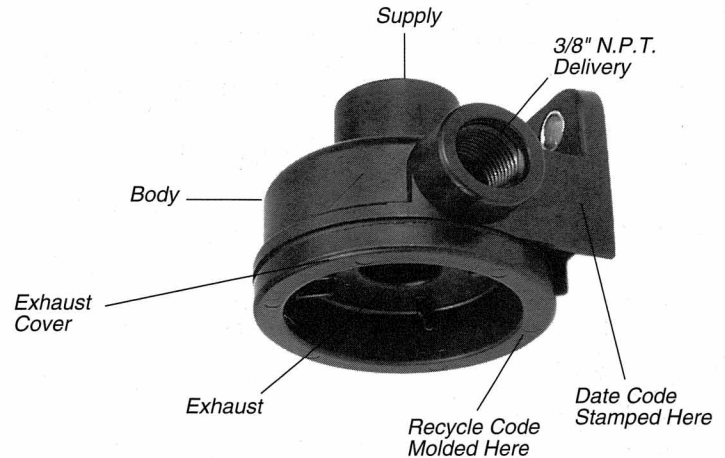
QRN-2 QUICK RELEASE VALVE

CATALOG
03-A-2C

The QRN-2 quick release valve is a lightweight, nonmetallic quick release valve. It is designed to "speed up" the release of air from the devices it is attached to. In its standard configuration the valve is designed to deliver within one psi of control pressure. However, for special applications the valve is available with greater differential pressure.

Port	Embossed I.D.
Supply	SUP 1
Delivery	DEL 2
Exhaust	EXH 3

Supply port: 1/2"-14 N.P.T. or 3/8"-18 N.P.T.
 Delivery ports(2): 3/8"-18 N.P.T.
 Weight: .3 lb.
 Material: Molded black reinforced nylon 6
 Operating pressure: 150 psi maximum
 Operating temperature: -40° to 180° F
 Service Data Sheet: SD-03-907
 VMRS No.: 13-101-008



QRN-2 Piece Number Conversion

QRN-2 O.E. PC. NO.	QRN-2 SVC. PC. NO.
5000686	800063
5000687	800064
5000688	800065
5000689	800066
5000928	800083
5000929	800084

QRN-2 SVC. PC. NO.	SUPPLY PORT	DIFFERENTIAL	T.M.C. I.D.	NOTES
800063	1/2"-14 N.P.T.	0 PSI	QR000	
800064	3/8"-18 N.P.T.	0 PSI	QR000	
800083	1/2"-14 N.P.T.	3 PSI	QR030	3rd Qtr. 1995 release. Call service plant for availability
800084	3/8"-18 N.P.T.	3 PSI	QR030	3rd Qtr. 1995 release. Call service plant for availability
800065	1/2"-14 N.P.T.	6 PSI	QR060	3rd Qtr. 1995 release. Call service plant for availability
800066	3/8"-18 N.P.T.	6 PSI	QR060	3rd Qtr. 1995 release. Call service plant for availability

Quick Release Valve Changeovers

MIDLAND PC. NO.	QRN-2 SVC. PC. NO.	QR-1 SVC./REMAN PC. NO.	QR-N SVC. PC. NO.
KN32003	800083	—	65347*
KN32005	800064	229859	65067 65212*
KN32011	800063	229860	65066
KN32050	800065	278483	65215 65311*
KN32060	800066	106869	65068 65213*
N20959HB	800084	107261	65214*