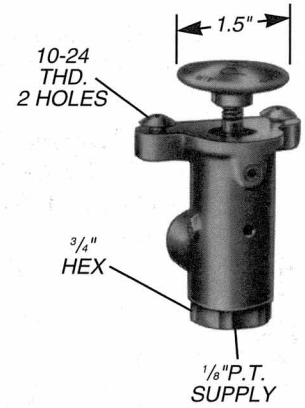
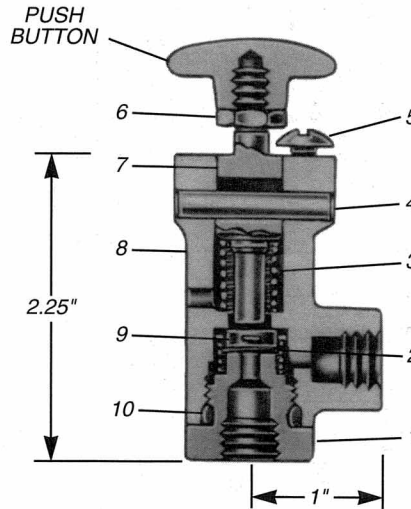


The PV-1 Control Valve is a normally open push type valve with self returning handle (plunger). The PV-1 will exhaust delivered air pressure when the handle is applied and deliver air pressure when the application is released. The PV-1 is used to manually override the air compressor (such as in air starter systems) and is located in the line which runs from the governor to the compressor unloader port. Application of the PV-1 will exhaust air pressure from the compressor unloaders and allow the compressor to build up air pressure in excess of governor cut-out pressure.



PV-1 CONTROL VALVE PC. NO.	PUSH BUTTON PC. NO.
227248	237527
229649	236732
279888	236241

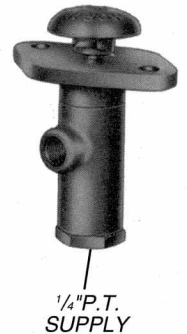
NO.	PC. NO.	QUAN.	DESCRIPTION
1	237521	1	Cap Nut
2	235729	1	Valve Spring
3	234833	1	Plunger Return Spring
4	237551	1	Spiral Pin
5	237032	2	Screw
6	202961	1	Nut
7	237520	1	Plunger
8	237519	1	Body
9	249534	1	Valve
10	236728	1	Sealing Ring, .755" O. D.



PV-1 NOT AVAILABLE IN REMFR. EXCH.

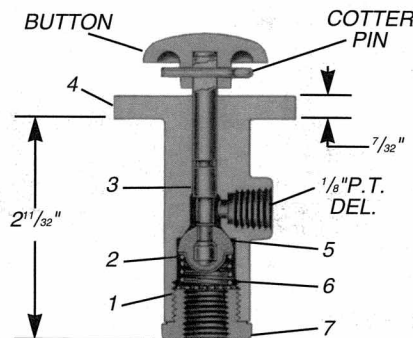
## HORN VALVE TYPE HV-3 FOOT OPERATED

The horn valve is a simple "on-off" non-exhausting valve, designed specifically for controlling Zeph-Air horn. The horn valve, regardless of model, is designed to return to the off position when application force is removed from it.



HV-3 HORN VALVE PC. NO.	BUTTON PC. NO.	COTTER PIN PC. NO.	BUTTON LETTERING
228672	239059	203805	Horn Valve
286906	NONE	NONE	NONE

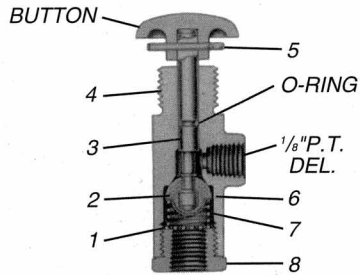
NO.	PC. NO.	QUAN.	DESCRIPTION
1	212668	1	Strainer Plate
2	238687	1	Spring Seat
3	239060	1	Stem
4	239057	1	Body
5	238686	1	Inlet Valve
6	249146	1	Spring
7	238622	1	Cap



HV-3 NOT AVAILABLE IN REMFR. EXCH.

The horn valve is a simple "on-off" non-exhausting valve, designed specifically for controlling Zeph-Air horn. The horn valve, regardless of model, is designed to return to the off position when application force is removed from it.

**HORN VALVE  
TYPE HV-3  
HAND OPERATED**

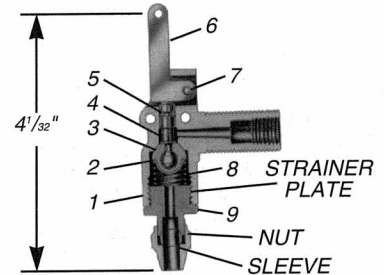
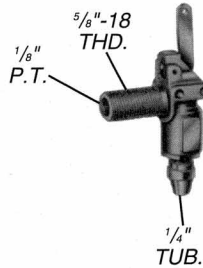


HV-3 HORN VALVE PC. NO.	BUTTON PC. NO.	O-RING PC. NO.	BUTTON LETTERING
228673	239059	NONE	Horn Valve
283065	242250	236640	NONE
A285558	239059	NONE	Horn Valve

A-Customer Identified-Same As 228673.

NO.	PC. NO.	QUAN.	DESCRIPTION
1	212668	1	Strainer Plate
2	238687	1	Spring Seat
3	239060	1	Stem
4	239058	1	Body
5	203805	1	Cotter Pin
6	238686	1	Inlet Valve
7	238688	1	Spring
8	238662	1	Cap

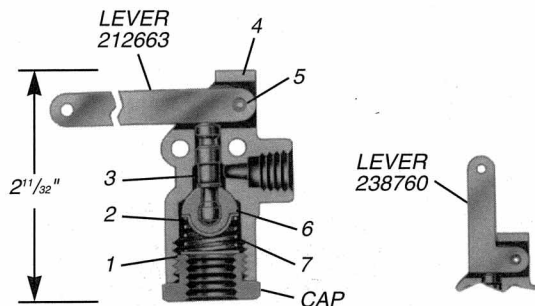
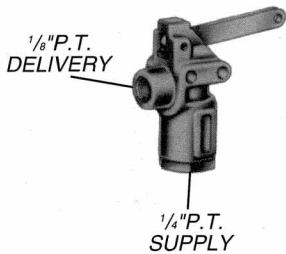
**HORN VALVE  
TYPE HV-3  
HAND OPERATED**



HV-3 HORN VALVE PC. NO.	NUT PC. NO.	SLEEVE PC. NO.	STRAINER PLATE PC. NO.
228431	200455	200457	NONE
229675	NONE	NONE	212668

NO.	PC. NO.	QUAN.	DESCRIPTION
1	238673	1	Body
2	238687	1	Spring Seat
3	238686	1	Inlet Valve
4	238685	1	Stem
5	236640	1	Grommet, 1/4" O. D.
6	238670	1	Lever
7	237542	1	Spirol Pin
8	249146	1	Spring
9	238762	1	Screw Cap

**HORN VALVE  
TYPE HV-3  
CAB MOUNTED**



HV-3 HORN VALVE PC. NO.	FOR SERVICE USE PC. NO.	LEVER PC. NO.	CAP PC. NO.
228013	228013	212663	238662
228928	228928	238760	238662
275826	275826	NONE	238762
A276210	228013	212663	238662
A277085	228928	238760	238662
A278350	228928	238760	238662
A278526	228013	212663	238662
279474	279474	244267	238662
284969	284969	238670	238662

A-Customer Identified-See 2nd Column.

NO.	PC. NO.	QUAN.	DESCRIPTION
1	212668	1	Strainer Plate
2	238687	1	Spring Seat
3	238685	1	Stem
4	238350	1	Body
5	237542	1	Spirol Pin
6	238686	1	Inlet Valve
7	249146	1	Spring

**HV-3 VALVES NOT AVAILABLE  
IN REMFR. EXCH.**