

QRN QUICK RELEASE VALVE SERVICE PC. NO.	DIAPHRAGM FOLLOWER PC. NO.	SPRING PC. NO.	PORT SIZES (P.T.)			SUPPLY & DELIVERY DIFFERENTIAL (PSI)
			A SUPPLY	B DELIVERY	C EXHAUST	
065066	-	-	1/2	3/8	-	1 Max.
065067	-	-	3/8	3/8	-	1 Max.
065068	297006	296850	3/8	3/8	-	5-8
065069	-	-	1/2	3/8	3/8	1 Max.
065070	-	-	3/8	3/8	3/8	1 Max.

Maintenance Kit 104463 Consists of:

KEY NO.	DESCRIPTION	QUANTITY
1	Diaphragm	1
2	Sealing Ring	1

QR-1C

**SERVICE PARTS
CHANGEOVER**

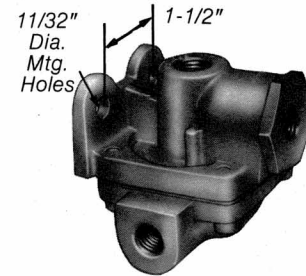
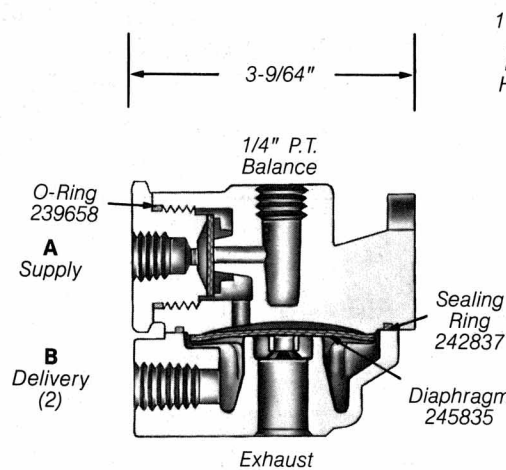
The QR-1C is a dual function valve; its primary function is to serve the emergency side of a spring brake chamber as a quick release valve. In addition it functions as an anti-compound device; the double check valve prevents a service and emergency brake application from occurring at the same time.

For service/maintenance information see service data sheet SD-03-72.

Weight - 14 oz.

VMRS No. 13-010-008.

Device Code for QR-1C is 904



QR-1C VALVE QUICK REL. WITH DBL. CHECK PC. NO.	PORT SIZES (P.T.)		SUPPLY & DELIVERY DIFFERENTIAL (PSI)
	A SUPPLY	B DELIVERY	
289182	1/4	1/4	1 Max.
289714	1/4	3/8	1 Max.