

QRV

SERVICE PARTS CHANGEOVER

QUICK RELEASE VALVE

CATALOG 03-A-2

The QRV, QR-1 & QRN Quick Release Valves are responsible for the rapid exhaust of air pressure, generally from brake chambers or spring brakes. They decrease the brake release time due to their mounting location which is generally close to the brake chamber or spring brake they serve. The QRV, QR-1 and QRN are all interchangeable with regard to fit and function. The QRN is the newest design of the three and in most cases can be used as a replacement for either the QRV or QRN.

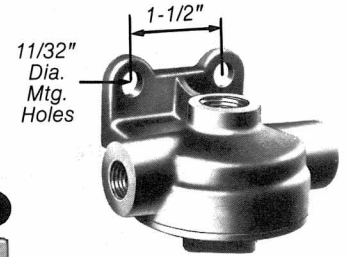
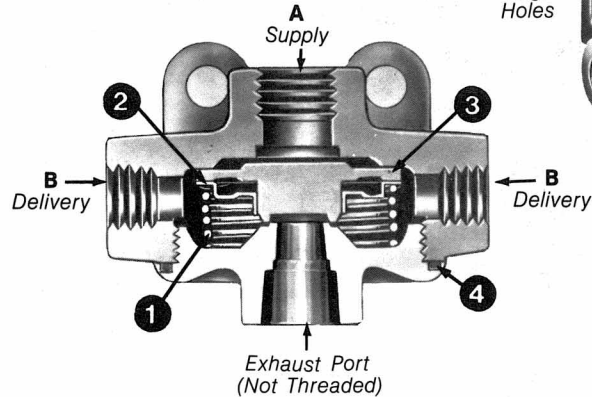
For service/maintenance information consult service data sheets:

SD-03-69 — QRV & QR-1
SD-03-74 — QRN

Weight: QR-1 is 11.2 oz. Device Code: QR-1 is 901
QRV is 1 lb. QRV is 900
QRN is 14 oz. QRN is 905

Maintenance Kit 275875 Consists of:

KEY NO.	DESCRIPTION	QUANTITY
1	Spring	1
2	Spring Seat	1
3	Diaphragm	1
4	Sealing Ring	1

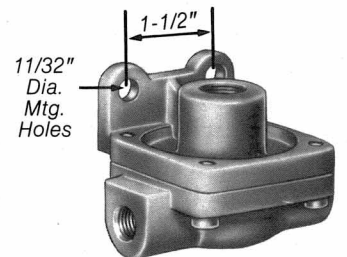
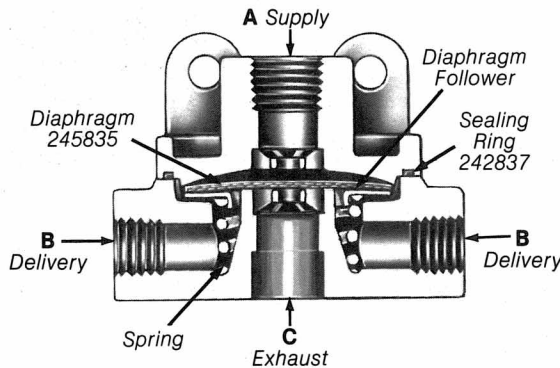


QRV QUICK RELEASE VALVE FOR SERVICE OR REMAN. USE PC. NO.	PORT SIZES (P.T.)		SUPPLY & DELIVERY DIFFERENTIAL (PSI)	QRN REPLACEMENT
	A SUPPLY	B DELIVERY		
205000	3/8	1/4	1 Max.	065067*
224417	3/8	3/8	1 Max.	065067

*Requires reducer bushing 212862 in each delivery port

QR-1

SERVICE PARTS CHANGEOVER



QR-1 QUICK RELEASE VALVE FOR SERVICE OR REMAN. USE PC. NO.	DIAPHRAGM FOLLOWER PC. NO.	SPRING PC. NO.	INSERT PC. NO.	PORT SIZES (P.T.)			SUPPLY & DELIVERY DIFFERENTIAL (PSI)	QRN REPLACEMENT
				A SUPPLY	B DELIVERY	C EXHAUST		
229813	-	-	-	3/8	1/4	-	1 Max.	065067*
229844	-	-	-	1/2	1/4	-	1 Max.	065066*
229859	-	-	-	3/8	3/8	-	1 Max.	065067
229860	-	-	-	1/2	3/8	-	1 Max.	065066
278481	243344	243345	-	3/8	1/4	-	5-8	065068*
278482	243344	243345	-	1/2	1/4	-	5-8	-
278483	243344	243345	-	1/2	3/8	-	5-8	-
281024	-	-	-	1/4	1/4	-	1 Max.	065067**
288251	-	-	-	3/8	3/8	3/8	1 Max.	065070
289042	-	-	292362	3/8	1/4	-	1 Max.	065067*
289525	-	-	292362	3/8	3/8	-	1 Max.	065067
101487	-	-	292362	1/2	3/8	-	1 Max.	065066
101647	243344	243345	-	1/2	3/8	3/8	5-8	-

*Requires reducer bushing 212862 in each delivery port
**Requires reducer bushing 212862 in supply and delivery ports

