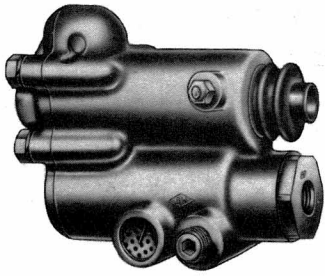


# PULL TYPE CLUTCH VALVE

# SERVICE PARTS CATALOG 03-A-19B



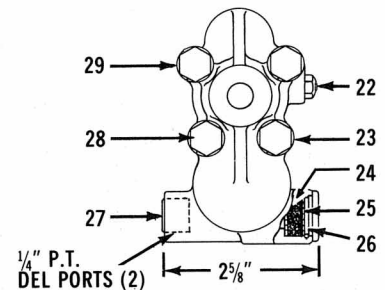
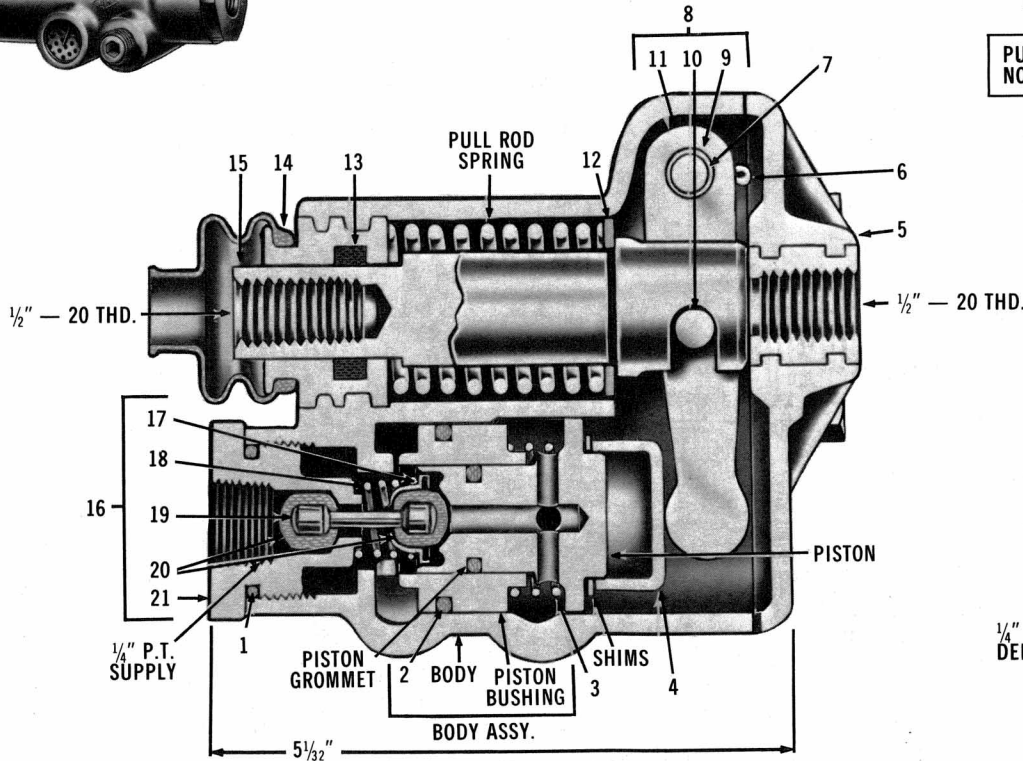
THE PULL TYPE BRAKE VALVE IS USED IN AN AIR ASSISTED HAND BRAKE SYSTEM. THE PULL TYPE CLUTCH VALVE IS USED IN AN AIR ASSISTED CLUTCH SYSTEM.

WEIGHT - 3 LBS.

VMRS NO. IS 13-010-019

DEVICE CODE IS 810

**PULL TYPE CLUTCH VALVE - NOT AVAILABLE IN REMFR. EXCH.**



### SUB ASSY. AND DETAIL REFERENCE

PULL TYPE CLUTCH VALVE PC. NO.	FOR SERVICE USE PC. NO.	BODY ASSY. PC. NO.	BODY PC. NO.	PISTON BUSHING PC. NO.	PISTON PC. NO.	PULL ROD SPRING PC. NO.	SHIM (AS REQ'D.) PC. NO.	PISTON GROMMET PC. NO.
279368	279368	226904	234036	237034	243898	235067	230387	212264
279370	279370	NONE	234036	NONE	243899	235067	213503 213504	NONE
279372	279372	NONE	234036	NONE	243899	230564	213503 213504	NONE

### COMMON SERVICE PARTS

NO.	PC. NO.	QUAN.	DESCRIPTION	NO.	PC. NO.	QUAN.	DESCRIPTION
1	214398	1	O-RING, 1.162" O.D.	16	284070	1	INL. & EXH. VALVE ASSY.
2	213346	1	GROMMET, 1.375" O.D.	17	243896	1	VALVE GUIDE
3	230548	1	PISTON RETURN SPRING	18	240288	1	INLET VALVE SPRING
4	230554	1	SPRING SEAT	19	239900	1	STEM
5	234041	1	COVER	20	239901	2	INL. & EXH. VALVE
6	203602	1	COTTER PIN	21	243897	1	INLET VALVE SEAT
7	234039	1	FULCRUM PIN	22	232502	1	OILER
8	221767	1	LEVER ASSY.	23	232850	1	WASHER
9	230557	1	BUSHING	24	242159	1	FILTER
10	230556	1	LEVER PIN	25	204145	2	STRAINER PLATE
11	230555	1	LEVER	26	204146	1	RETAINING RING
12	234042	1	PULL ROD WASHER	27	230576	1	PIPE PLUG, 1/4"
13	230566	1	FELT OILER	28	203821	4	CAP SCREW
14	236022	1	BOOT	29	202982	4	LOCK WASHER
15	234040	1	PULL ROD				