

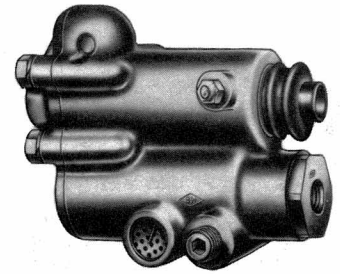
# PULL TYPE BRAKE VALVE

THE PULL TYPE BRAKE VALVE IS USED IN AN AIR ASSISTED HAND BRAKE SYSTEM. THE PULL TYPE CLUTCH VALVE IS USED IN AN AIR ASSISTED CLUTCH SYSTEM.

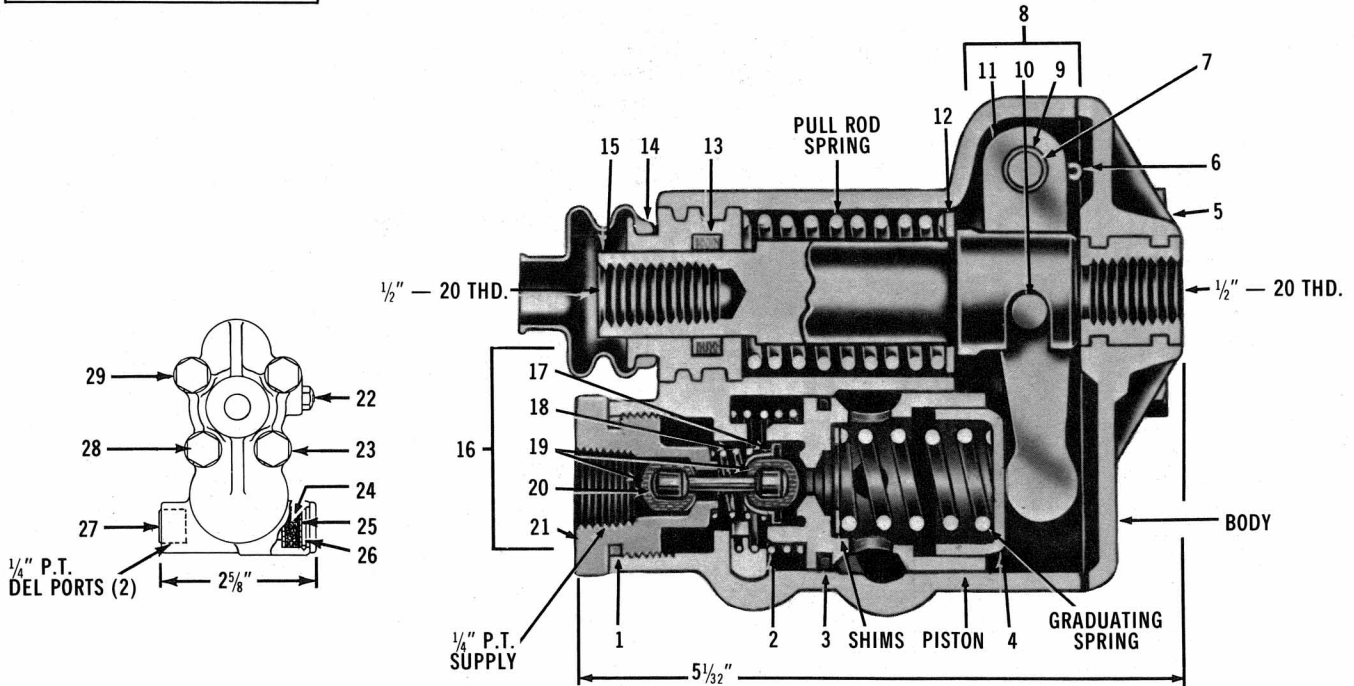
WEIGHT - 3 LBS.

VMRS NO. IS 13-010-019

DEVICE CODE IS 810



**PULL TYPE BRAKE VALVE  
NOT AVAILABLE IN REMFR. EXCH.**



SUB ASSY. AND DETAIL REFERENCE

PULL TYPE BRAKE VALVE PC. NO.	FOR SERVICE USE PC. NO.	BODY PC. NO.	PULL ROD SPRING PC. NO.	PISTON PC. NO.	GRADUATING SPRING PC. NO.	SHIMS (AS REQ'D.) PC. NO.
279374	279374	234036	230564	243901	230553	230551 230552
A279897	279897	275538	240690	244610	240689	214663 214327

A-ADD GROMMET, 212264 ON PISTON

### COMMON SERVICE PARTS

NO.	PC. NO.	QUAN.	DESCRIPTION	NO.	PC. NO.	QUAN.	DESCRIPTION
1	214398	1	O-RING, 1.162" O.D.	16	284070	1	INL. & EXH. VALVE ASSY.
2	230548	1	PISTON RETURN SPRING	17	243896	1	VALVE GUIDE
3	213346	1	PISTON GROMMET, 1.375" O.D.	18	240288	1	INLET VALVE SPRING
4	230554	1	SPRING SEAT	19	239901	2	INL & EXCH. VALVE
5	234041	1	COVER	20	239900	1	STEM
6	203602	1	COTTER PIN	21	243897	1	INLET VALVE SEAT
7	234039	1	FULCRUM PIN	22	232502	1	OILER
8	221767	1	LEVER ASSY.	23	232850	1	WASHER
9	230557	1	BUSHING	24	242159	1	FILTER
10	230556	1	LEVER PIN	25	204145	1	STRAINER PLATE
11	230555	1	LEVER	26	204146	1	RETAINING RING
12	234042	1	PULL ROD WASHER	27	230576	1	PIPE PLUG, 1/4"
13	230566	1	FELT OILER	28	203821	4	CAP SCREW
14	236022	1	BOOT	29	202982	4	LOCK WASHER
15	234040	1	PULL ROD				