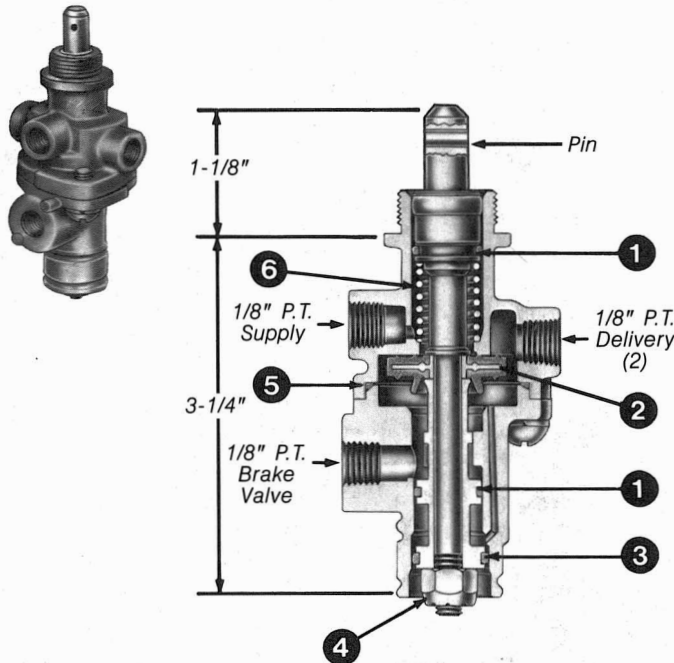


PP-2 BASIC VALVE (PRESSURE BALANCED)

PUSH PULL CONTROL VALVE CATALOG 03-L-2



The PP-2 Push Pull Control Valve is a pressure sensitive, manually operable, on-off control which will automatically return to the exhaust position when manual force is removed and supply air pressure is below the required minimum. The PP-2 was primarily designed for use with parking and emergency brakes and features an anti-compounding port which, when used, will prevent the application of service and parking brakes simultaneously. For service/maintenance information, see service data sheet SD-03-61.

Weight — 0.8 lbs.
VMRS No. 13-010-104
Device Code is 3612

PARTS LIST / GENERAL INFORMATION

PP-2 Maintenance Kit 281127 Consists of:

KEY NO.	DESCRIPTION	QUANTITY
1	O-Ring	2
2	Inlet & Exhaust Valve	1
3	O-Ring	1
4	Hex Nut	1
5	Sealing Ring	1
6	Spring	1

BASIC REMANUFACTURED AND SERVICE NEW

SERVICE/REMANUFACTURED* PP-2 PC. NO.	AUTOMATIC RELEASE PRESSURE	REMARKS
276462	40 psi Nominal	—
280454	40 psi Nominal	Figure 1

*The Button, Dial and Nut must be purchased separately for use with the service/remanufactured PP-2. Roll Pin 238379 is furnished with Basic. These parts are furnished with the Original Equipment where applicable.

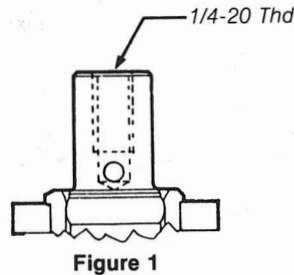
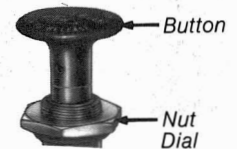


Figure 1

OE TO BASIC



**Place in a Polybag Attach to Valve

ORIGINAL EQUIPMENT TO BASIC

PIECE NO.**	BASIC	BUTTON	NUT	DIAL	REMARKS
275250	276462	240302	239357	—	—
275792	276462	240920	239357	—	—
275793	276462	240921	239357	—	—
275844	276462	240302	239357	—	Note 1
276463	276462	243953	239357	—	Cust I.D.
276538	276462	—	—	—	Note 2
277897	276462	243062	239357	242406	—
278417	276462	240302	239357	242406	—
278462	276462	243953	239357	242406	Cust I.D.
279417	276462	243953	239357	242496	—
279468	276462	243953	239357	—	—
280093	276462	243062	239357	242406	Cust I.D.

PIECE NO.**	BASIC	BUTTON	NUT	DIAL	REMARKS
280399	276462	243062	239357	244978	—
281191	276462	243062	239357	—	—
281273	276462	243062	239357	245649	—
282454	276462	243953	239357	—	Cust I.D.
282937	276462	243062	239357	246973	—
284729	276462	248433	239357	—	Cust I.D.
284834	276462	240302	239357	—	Cust I.D.
285356	276462	248502	239357	—	—
285545	276462	243062	239357	242406	Cust I.D.
285833	276462	248433	239357	—	—
287055	276462	—	—	—	Cust I.D.

NOTE 1 — Add Pipe Plug 232999

NOTE 2 — Also used as service valve. For Dial and Button wording and configuration refer to catalog page 03-L-12A.