

The CC-2 Throttle Cylinder is a spring loaded, air actuated cylinder and rod assembly used to operate the vehicle's throttle. It is used in conjunction with the TV-1 or TV-2 foot operated throttle control valve.

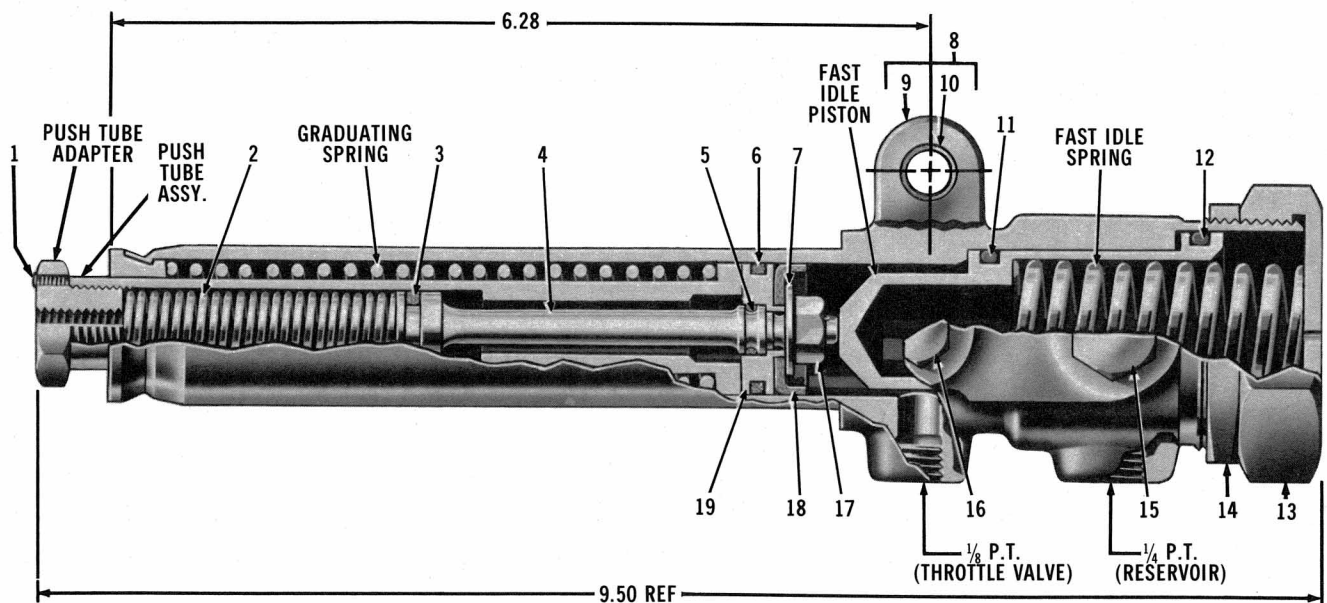
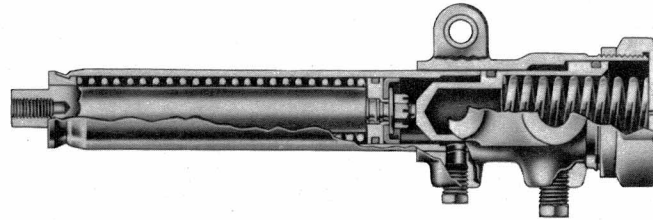
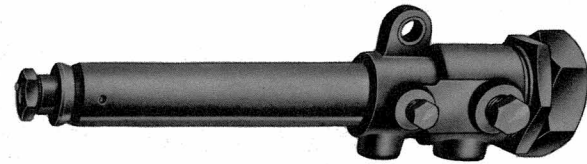
Weight - 3 LBS

VMRS NO. 44-007-019

DEVICE CODE IS 4101

Maintenance Kit for CC-2 is 101806

CC-2 NOT AVAILABLE IN  
REMFR. EXCH.



### SUB ASSY. AND DETAIL REFERENCE

* CC-2 THROTTLE CYLINDER PC. NO.	CUSTOMER IDENTIFICATION	PUSH TUBE ASSY. PC. NO.	PUSH TUBE ADAPTER PC. NO.	GRADUATING SPRING PC. NO.	FAST IDLE PISTON PC. NO.	FAST IDLE SPRING PC. NO.	OPERATING PRESS. (PSI)		FAST IDLE RELEASE (PSI)	A PIPE PLUG (3/8") PC. NO.
							INITIAL	FINAL		
223415	MACK 55QB29	223398	231139	231143	231147	231145	16	54	30	230111
275957	NONE	223398	235084	231143	231147	231145	16	54	30	NONE
279414	NONE	223398	231139	231143	231147	231145	16	54	30	NONE
A279415	NONE	238156	NONE	231143	238246	231145	16	54	—	NONE
285555	TEREX 9015937	223398	231139	233619	231147	NONE	16	34	—	230111

A — OMIT ITEMS 1, 2, 3 & 4.

\*REPLACEMENT ASSY AVAILABLE ONLY AS SERVICE NEW.

### COMMON SERVICE PARTS

NO.	PC. NO.	QUAN.	DESCRIPTION	NO.	PC. NO.	QUAN.	DESCRIPTION
1	231249	1	SET SCREW	11	A	1	GROMMET, 1 1/4" O.D.
2	231144	1	TAKE-UP SPRING	12	A	1	GROMMET, 1 19/32" O.D.
3	A	1	OIL SEAL, 39/64" O.D.	13	231152	1	CYLINDER CAP
4	231146	1	PISTON ROD	14	231150	1	LOCK NUT
5	A	1	GROMMET, 3/8" O.D.	15	230111	1	PIPE PLUG, 1/4"
6	A	1	OIL SEAL, 1" O.D.	16	232999	1	PIPE PLUG, 1/8"
7	231161	1	PISTON CUP FOLLOWER	17	233607	1	NUT
8	223416	1	CYLINDER ASSY.	18	A	1	PACKING CUP
9	223417	1	CYLINDER	19	231149	1	PISTON
10	232889	1	BUSHING				

A - FURNISHED IN MAINTENANCE KIT 101806