

PP-3 BASIC VALVE w/AUTOMATIC TRIPPER

PUSH PULL CONTROL VALVE

CATALOG 03-L-3

The PP-3 push pull control valve is a pressure sensitive, manually operable, on-off control which will automatically return to the exhaust position when manual force is removed and supply air pressure is below the required minimum.

The PP-3 is primarily for use with a two line tractor protection valve such as the TP-3 Tractor Protection Valve.

FOR SERVICE/MAINTENANCE INFORMATION, SEE SERVICE DATA

SHEET SD-03-50

WEIGHT - 1.1 LB.

VMRS NO. - 13-010-016

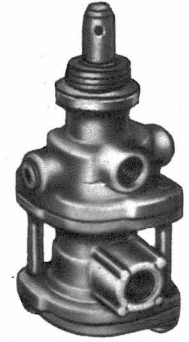
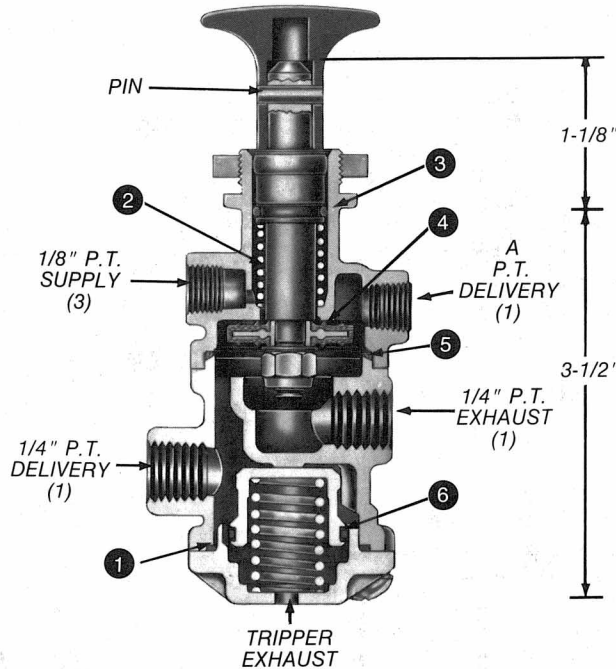
DEVICE CODE - 3613

MAINTENANCE KIT 280857 CONSISTS OF:

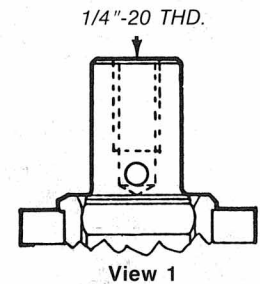
KEY NO.	DESCRIPTION	QUAN.
1	Sealing Ring	1
2	Spring	1
3	O-Ring	1
4	Inlet & Exhaust Valve	1
5	Sealing Ring	1
6	O-Ring	1

The button, dial & nut must be purchased separately for use with the Serv/Remfr PP-3. Roll Pin 238379 is furnished with basic. The parts are included with the O.E. Pc. No. where applicable.

BASIC REMFR & SERVICE NEW	A PIPE THD	REMARKS
279787	NONE	View 1 Mtg. Nut Furnished
288746	NONE	—
289477	1/8	—
289512	1/8	View 1



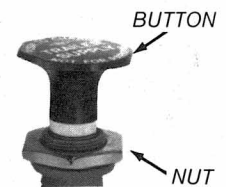
Tripper Exhausts at 30 P.S.I. & Charges Above 50 P.S.I. Plunger Trips at 40 P.S.I. and Charges Manually.



OE TO BASIC

PIECE NO.	BASIC	BUTTON	NUT	REMARKS
278821	288746	240272	239357	—
279159	288746	—	239357	—
279579	288746	244282	239357	—
280723	288746	245186	239357	—
280829	288746	245186	239357	Cust I.D.
280930	288746	244282	239357	Cust I.D.
282077	288746	241866	239357	—
283051	288746	—	—	I.D. Tag 247614

PIECE NO.	BASIC	BUTTON	NUT	REMARKS
284170	288746	248435	239357	—
284387	288746	248600	239357	—
284730	288746	248435	239357	Cust I.D.
284786	288746	247348	239357	—
284836	288746	244282	239357	Cust I.D.
284895	288746	—	239357	Cust I.D.
287056	288746	—	239357	Cust I.D.



Button, Pin and Nut are Placed in a Bag and Attached to Valve—to Accommodate Dash Mtg.