

HEIGHT CONTROL VALVE

TYPE LV-2

CATALOG
03-A-17

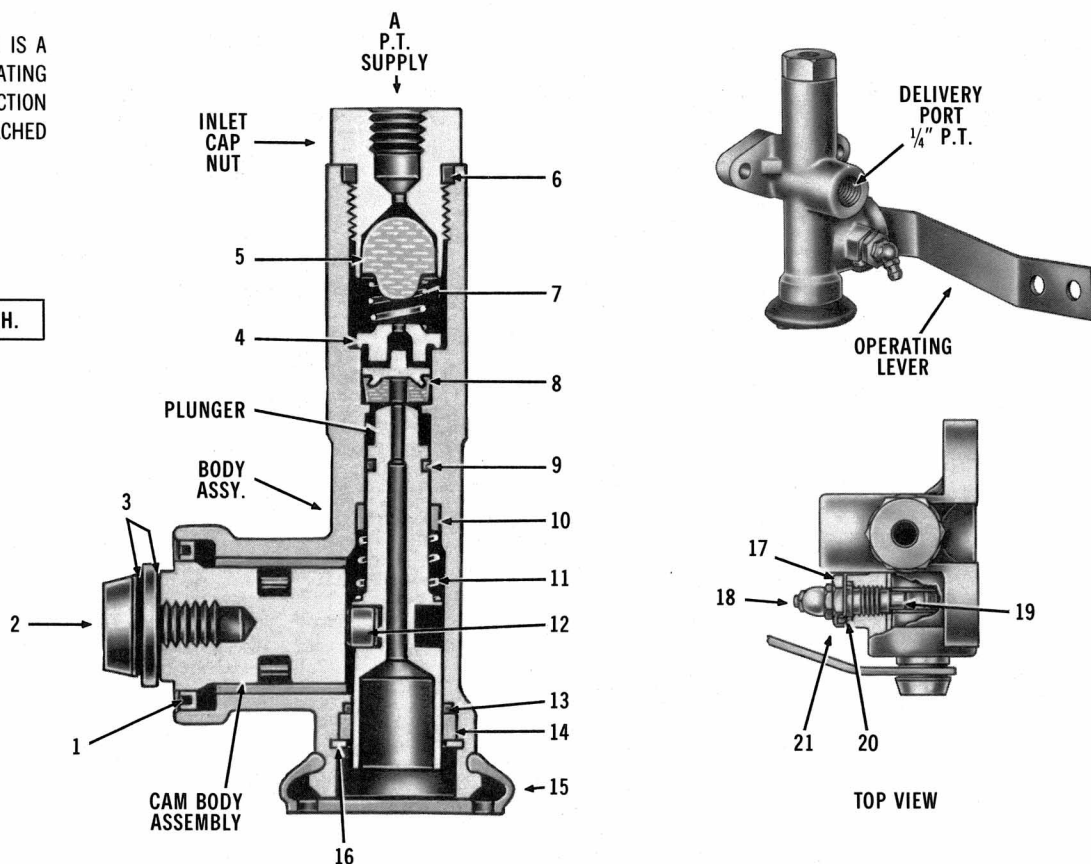
THE LV-2 HEIGHT CONTROL VALVE IS A MECHANICALLY OPERATED, MODULATING VALVE, GENERALLY USED IN CONJUNCTION WITH AIR SUSPENDED VEHICLES. ATTACHED TO THE FRAME AND AXLE.

WEIGHT- .9 LBS.

VMRS NO. 16-008-023

DEVICE CODE IS 3620

LV-2 NOT AVAILABLE REMFR. EXCH.



| COMMON SERVICE PARTS | | | | | | | | | |
|----------------------|---------|-------|-----------------------|-----|---------|-------|---------------------|-----|---------|
| NO. | PC. NO. | QUAN. | DESCRIPTION | NO. | PC. NO. | QUAN. | DESCRIPTION | NO. | PC. NO. |
| 1 | 239090 | 1 | SEAL | 12 | 243405 | 1 | CAM FOLLOWER | 13 | 239136 |
| 2 | 239041 | 1 | ADJUSTING SCREW | 14 | 239137 | 1 | GROMMET, .754" O.D. | 15 | 239135 |
| 3 | 239308 | 2 | LOCK WASHER | 16 | 236814 | 1 | PLUNGER BEARING | 17 | 239042 |
| 4 | 239053 | 1 | SECOND STAGE VALVE | 18 | 239091 | 1 | BOOT | 19 | 239230 |
| 5 | 241069 | 1 | CHECK VALVE | 20 | 239071 | 1 | RETAINING RING | 21 | 239072 |
| 6 | 214745 | 1 | GROMMET, .750" O.D. | 1 | 239072 | 1 | CAM LOCK SCREW | | |
| 7 | 238954 | 1 | CHECK VALVE SPRING | | | 1 | LUBRICATION FITTING | | |
| 8 | 239052 | 1 | INLET & EXHAUST VALVE | | | 1 | BUSHING | | |
| 9 | 214749 | 1 | GROMMET, .441" O.D. | | | 1 | LOCK SCREW SEAL | | |
| 10 | 239138 | 1 | PLUNGER BEARING | | | 1 | TAB LOCK WASHER | | |
| 11 | 238953 | 1 | PLUNGER SPRING | | | | | | |

SUB ASSY. AND DETAIL REFERENCE

| LV-2 HEIGHT CONTROL VALVE PC. NO. | FOR SERVICE USE PC. NO. | CUSTOMER IDENTIFICATION | OPERATING LEVER & CAM BODY ASSY. PC. NO. | OPERATING LEVER PC. NO. | CAM BODY ASSY. PC. NO. | BODY ASSY. PC. NO. | PLUNGER PC. NO. | INLET CAP NUT PC. NO. | A P.T. |
|-----------------------------------|-------------------------|-------------------------|--|-------------------------|------------------------|--------------------|-----------------|-----------------------|--------|
| A102230 | 102230 | NONE | — | 294385 | 228605 | 228792 | 294389 | 294386 | 1/4 |
| A102424 | 102424 | NONE | — | 294596 | 228605 | 228792 | 294389 | 294386 | 1/4 |
| 228646 | 228646 | NONE | — | 238969 | 228605 | 228792 | 238973 | 238964 | 1/8 |
| B229449 | 229449 | NONE | 229456 | — | — | 228792 | 238973 | 239662 | 1/4 |
| 229516 | 229516 | NONE | — | 238969 | 228605 | 228792 | 238973 | 239662 | 1/4 |
| 277542 | 277542 | NONE | — | 242342 | 228605 | 228792 | 238973 | 239662 | 1/4 |
| BC279224 | 279224 | NONE | 279223 | — | — | 228792 | 238973 | 239662 | 1/4 |
| 286845 | 228646 | MACK 20QE339P4 | — | — | — | 228792 | 238973 | 238964 | 1/8 |

A - ADD WASHER, 214329 (ON OPER. ARM) SUBSTITUTE: ADJUSTING SCREW, 294466 FOR ITEM 2, SECOND STAGE VALVE, 294387 FOR ITEM 4, INLET & EXH. VALVE, 294390 FOR ITEM 8.

B - OMIT ITEMS 2 AND 3.

C - SUBSTITUTE: CAM LOCK SCREW, 244019 FOR ITEM 17, FITTING, 244020 FOR ITEM 18.